

GN 927.3 | Cam clamping levers

Steel



- 1
- 2
- 3
- 4
- 5
- 6
- 7
- 8
- 9
- 10
- 11
- 12
- 13
- 14
- 15
- 16
- 17
- 18

LEVER BODY

Cast zinc-plated steel.

ROTATING PIN

Zinc-plated steel.

CLAMPING ELEMENT

Zinc-plated steel with threaded hole or threaded screw.

STANDARD EXECUTIONS

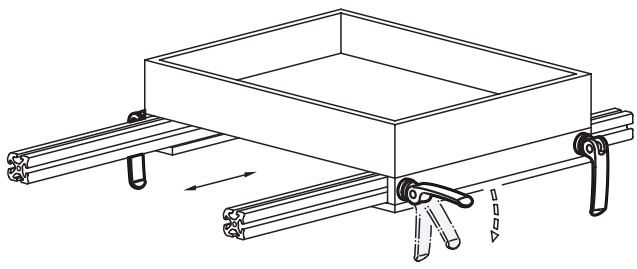
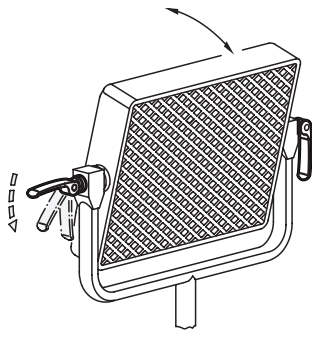
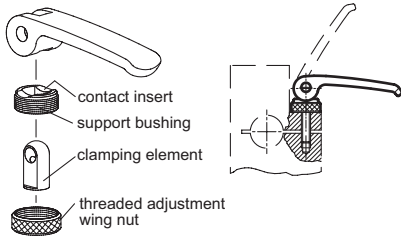
- **GN 927.3-A:** positioning with zinc-plated, threaded adjustment wing nut, with zinc-plated support bushing with glass fibre reinforced acetal-based technopolymer (POM) contact insert.
- **GN 927.3-B:** positioning without adjustment wing nut, with support bushing in glass-fibre reinforced polyamide based (PA) technopolymer.

FEATURES AND APPLICATIONS

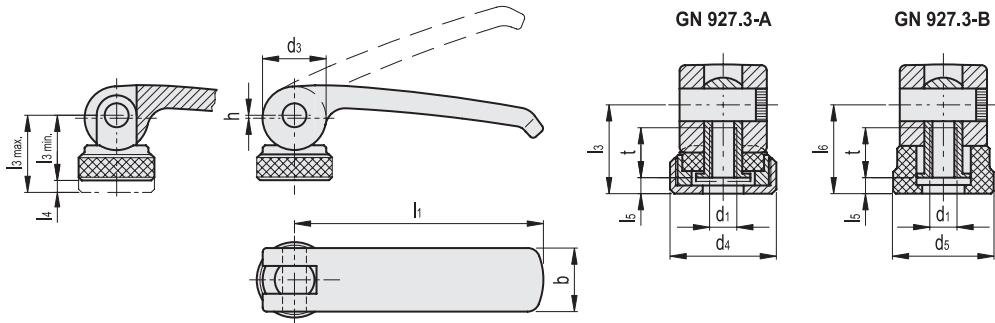
GN 927.3 clamping levers are particularly suitable for quick clamping. The GN 927.3-A version with adjustment wing nut provides quick and efficient tightening. In fact, the adjustment wing nut at the base enables adjustment of the tightening force used and simultaneous locking of the lever in the position required. This type of lever allows you to reach clamping forces up to 8 kN.



Way of clamping

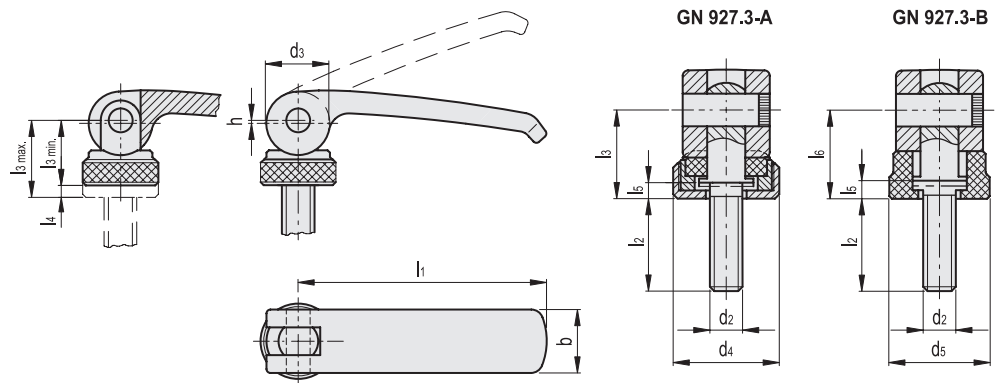


Clamping handles



GN 927.3 (d1)

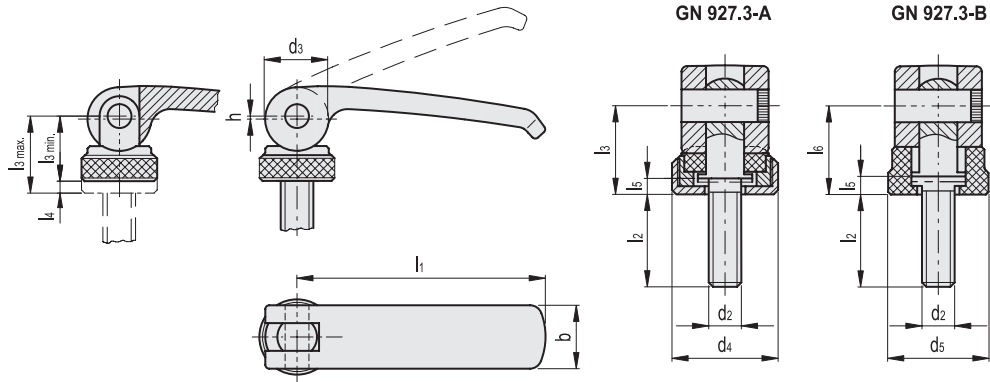
Code	Description	l1	d1	l3 min	l3 max	l4	l5	l6	h	d3	d4	d5	t	b	△
GN.35701	GN 927.3-44-M4-A	44	M4	13.2	15.2	2	2.2	-	0.5	12	15	-	8	12	27
GN.35721	GN 927.3-44-M5-A	44	M5	13.2	15.2	2	2.2	-	0.5	12	15	-	8	12	27
GN.35702	GN 927.3-44-M4-B	44	M4	-	-	2	2.2	15.2	0.5	12	-	14	8	12	24
GN.35722	GN 927.3-44-M5-B	44	M5	-	-	2	2.2	15.2	0.5	12	-	14	8	12	24
GN.69401	GN 927.3-63-M5-A	63	M5	16.3	18.8	2.5	3	-	0.75	16	19	-	10	16	57
GN.69421	GN 927.3-63-M6-A	63	M6	16.3	18.8	2.5	3	-	0.75	16	19	-	10	16	58
GN.69402	GN 927.3-63-M5-B	63	M5	-	-	2.5	3	16.3	0.75	16	-	18.5	10	16	57
GN.69422	GN 927.3-63-M6-B	63	M6	-	-	2.5	3	16.3	0.75	16	-	18.5	10	16	60
GN.69441	GN 927.3-82-M6-A	82	M6	19.5	22.5	3	3.7	-	1	20	25	-	12	20	60
GN.69461	GN 927.3-82-M8-A	82	M8	19.5	22.5	3	3.7	-	1	20	25	-	12	20	100
GN.69442	GN 927.3-82-M6-B	82	M6	-	-	3	3.7	19.5	1	20	-	22.5	12	20	60
GN.69462	GN 927.3-82-M8-B	82	M8	-	-	3	3.7	19.5	1	20	-	22.5	12	20	98
GN.69481	GN 927.3-101-M8-A	101	M8	25.3	29.3	4	4.8	-	1.5	26	30	-	15	25	216
GN.69501	GN 927.3-101-M10-A	101	M10	25.3	29.3	4	4.8	-	1.5	26	30	-	15	25	211
GN.69482	GN 927.3-101-M8-B	101	M8	-	-	4	4.8	25.3	1.5	26	-	27	15	25	200
GN.69502	GN 927.3-101-M10-B	101	M10	-	-	4	4.8	25.3	1.5	26	-	27	15	25	200



GN 927.3 (d2 - l2)

Code	Description	l1	d2	l2	l3 min	l3 max	l4	l5	l6	h	d3	d4	d5	b	△
GN.35706	GN 927.3-44-M4-12-A	44	M4	12	13.2	15.2	2	2.2	-	0.5	12	15	-	12	27
GN.35708	GN 927.3-44-M4-16-A	44	M4	16	13.2	15.2	2	2.2	-	0.5	12	15	-	12	29
GN.35710	GN 927.3-44-M4-20-A	44	M4	20	13.2	15.2	2	2.2	-	0.5	12	15	-	12	29
GN.35712	GN 927.3-44-M4-25-A	44	M4	25	13.2	15.2	2	2.2	-	0.5	12	15	-	12	29
GN.35714	GN 927.3-44-M4-30-A	44	M4	30	13.2	15.2	2	2.2	-	0.5	12	15	-	12	30
GN.35726	GN 927.3-44-M5-12-A	44	M5	12	13.2	15.2	2	2.2	-	0.5	12	15	-	12	29
GN.35728	GN 927.3-44-M5-16-A	44	M5	16	13.2	15.2	2	2.2	-	0.5	12	15	-	12	29
GN.35730	GN 927.3-44-M5-20-A	44	M5	20	13.2	15.2	2	2.2	-	0.5	12	15	-	12	30
GN.35732	GN 927.3-44-M5-25-A	44	M5	25	13.2	15.2	2	2.2	-	0.5	12	15	-	12	30
GN.35734	GN 927.3-44-M5-30-A	44	M5	30	13.2	15.2	2	2.2	-	0.5	12	15	-	12	31
GN.35736	GN 927.3-44-M5-35-A	44	M5	35	13.2	15.2	2	2.2	-	0.5	12	15	-	12	32
GN.35738	GN 927.3-44-M5-40-A	44	M5	40	13.2	15.2	2	2.2	-	0.5	12	15	-	12	32



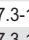


GN 927.3 (d2 - l2)

Code	Description	l1	d2	l2	l3 min	l3 max	l4	l5	l6	h	d3	d4	d5	b	⚖️
GN.35707	GN 927.3-44-M4-12-B	44	M4	12	-	-	2	2.2	15.2	0.5	12	-	14	12	24
GN.35709	GN 927.3-44-M4-16-B	44	M4	16	-	-	2	2.2	15.2	0.5	12	-	14	12	26
GN.35711	GN 927.3-44-M4-20-B	44	M4	20	-	-	2	2.2	15.2	0.5	12	-	14	12	26
GN.35713	GN 927.3-44-M4-25-B	44	M4	25	-	-	2	2.2	15.2	0.5	12	-	14	12	26
GN.35715	GN 927.3-44-M4-30-B	44	M4	30	-	-	2	2.2	15.2	0.5	12	-	14	12	27
GN.35727	GN 927.3-44-M5-12-B	44	M5	12	-	-	2	2.2	15.2	0.5	12	-	14	12	26
GN.35729	GN 927.3-44-M5-16-B	44	M5	16	-	-	2	2.2	15.2	0.5	12	-	14	12	26
GN.35731	GN 927.3-44-M5-20-B	44	M5	20	-	-	2	2.2	15.2	0.5	12	-	14	12	27
GN.35733	GN 927.3-44-M5-25-B	44	M5	25	-	-	2	2.2	15.2	0.5	12	-	14	12	27
GN.35735	GN 927.3-44-M5-30-B	44	M5	30	-	-	2	2.2	15.2	0.5	12	-	14	12	28
GN.35737	GN 927.3-44-M5-35-B	44	M5	35	-	-	2	2.2	15.2	0.5	12	-	14	12	29
GN.35739	GN 927.3-44-M5-40-B	44	M5	40	-	-	2	2.2	15.2	0.5	12	-	14	12	29
GN.35740	GN 927.3-63-M5-16-A	63	M5	16	16.3	18.8	2.5	3	-	0.75	16	19	-	16	45
GN.69406	GN 927.3-63-M5-20-A	63	M5	20	16.3	18.8	2.5	3	-	0.75	16	19	-	16	55
GN.69408	GN 927.3-63-M5-25-A	63	M5	25	16.3	18.8	2.5	3	-	0.75	16	19	-	16	56
GN.69410	GN 927.3-63-M5-30-A	63	M5	30	16.3	18.8	2.5	3	-	0.75	16	19	-	16	62
GN.69412	GN 927.3-63-M5-35-A	63	M5	35	16.3	18.8	2.5	3	-	0.75	16	19	-	16	62
GN.69414	GN 927.3-63-M5-40-A	63	M5	40	16.3	18.8	2.5	3	-	0.75	16	19	-	16	63
GN.69416	GN 927.3-63-M5-50-A	63	M5	50	16.3	18.8	2.5	3	-	0.75	16	19	-	16	65
GN.35751	GN 927.3-63-M6-16-A	63	M6	16	16.3	18.8	2.5	3	-	0.75	16	19	-	16	67
GN.69426	GN 927.3-63-M6-20-A	63	M6	20	16.3	18.8	2.5	3	-	0.75	16	19	-	16	62
GN.69428	GN 927.3-63-M6-25-A	63	M6	25	16.3	18.8	2.5	3	-	0.75	16	19	-	16	63
GN.69430	GN 927.3-63-M6-30-A	63	M6	30	16.3	18.8	2.5	3	-	0.75	16	19	-	16	63
GN.69432	GN 927.3-63-M6-35-A	63	M6	35	16.3	18.8	2.5	3	-	0.75	16	19	-	16	64
GN.69434	GN 927.3-63-M6-40-A	63	M6	40	16.3	18.8	2.5	3	-	0.75	16	19	-	16	65
GN.69436	GN 927.3-63-M6-50-A	63	M6	50	16.3	18.8	2.5	3	-	0.75	16	19	-	16	68
GN.35741	GN 927.3-63-M5-16-B	63	M5	16	-	-	2.5	3	16.3	0.75	16	-	18.5	16	60
GN.69407	GN 927.3-63-M5-20-B	63	M5	20	-	-	2.5	3	16.3	0.75	16	-	18.5	16	55
GN.69409	GN 927.3-63-M5-25-B	63	M5	25	-	-	2.5	3	16.3	0.75	16	-	18.5	16	56
GN.69411	GN 927.3-63-M5-30-B	63	M5	30	-	-	2.5	3	16.3	0.75	16	-	18.5	16	60
GN.69413	GN 927.3-63-M5-35-B	63	M5	35	-	-	2.5	3	16.3	0.75	16	-	18.5	16	62
GN.69415	GN 927.3-63-M5-40-B	63	M5	40	-	-	2.5	3	16.3	0.75	16	-	18.5	16	63
GN.69417	GN 927.3-63-M5-50-B	63	M5	50	-	-	2.5	3	16.3	0.75	16	-	18.5	16	65
GN.35756	GN 927.3-63-M6-16-B	63	M6	16	-	-	2.5	3	16.3	0.75	16	-	18.5	16	61
GN.69427	GN 927.3-63-M6-20-B	63	M6	20	-	-	2.5	3	16.3	0.75	16	-	18.5	16	62
GN.69429	GN 927.3-63-M6-25-B	63	M6	25	-	-	2.5	3	16.3	0.75	16	-	18.5	16	63
GN.69431	GN 927.3-63-M6-30-B	63	M6	30	-	-	2.5	3	16.3	0.75	16	-	18.5	16	63
GN.69433	GN 927.3-63-M6-35-B	63	M6	35	-	-	2.5	3	16.3	0.75	16	-	18.5	16	64
GN.69435	GN 927.3-63-M6-40-B	63	M6	40	-	-	2.5	3	16.3	0.75	16	-	18.5	16	65
GN.69437	GN 927.3-63-M6-50-B	63	M6	50	-	-	2.5	3	16.3	0.75	16	-	18.5	16	68

Clamping handles

GN 927.3 (d2 - l2)

Code	Description	l1	d2	l2	l3 min	l3 max	l4	l5	l6	h	d3	d4	d5	b	
GN.35761	GN 927.3-82-M6-20-A	82	M6	20	19.5	22.5	3	3.7	-	1	20	25	-	20	131
GN.69446	GN 927.3-82-M6-25-A	82	M6	25	19.5	22.5	3	3.7	-	1	20	25	-	20	120
GN.69448	GN 927.3-82-M6-30-A	82	M6	30	19.5	22.5	3	3.7	-	1	20	25	-	20	120
GN.69450	GN 927.3-82-M6-35-A	82	M6	35	19.5	22.5	3	3.7	-	1	20	25	-	20	120
GN.69452	GN 927.3-82-M6-40-A	82	M6	40	19.5	22.5	3	3.7	-	1	20	25	-	20	120
GN.69454	GN 927.3-82-M6-50-A	82	M6	50	19.5	22.5	3	3.7	-	1	20	25	-	20	122
GN.69456	GN 927.3-82-M6-60-A	82	M6	60	19.5	22.5	3	3.7	-	1	20	25	-	20	122
GN.35765	GN 927.3-82-M8-20-A	82	M8	20	19.5	22.5	3	3.7	-	1	20	25	-	20	135
GN.69466	GN 927.3-82-M8-25-A	82	M8	25	19.5	22.5	3	3.7	-	1	20	25	-	20	122
GN.69468	GN 927.3-82-M8-30-A	82	M8	30	19.5	22.5	3	3.7	-	1	20	25	-	20	123
GN.69470	GN 927.3-82-M8-35-A	82	M8	35	19.5	22.5	3	3.7	-	1	20	25	-	20	125
GN.69472	GN 927.3-82-M8-40-A	82	M8	40	19.5	22.5	3	3.7	-	1	20	25	-	20	129
GN.69474	GN 927.3-82-M8-50-A	82	M8	50	19.5	22.5	3	3.7	-	1	20	25	-	20	130
GN.69476	GN 927.3-82-M8-60-A	82	M8	60	19.5	22.5	3	3.7	-	1	20	25	-	20	132
GN.35763	GN 927.3-82-M6-20-B	82	M6	20	-	-	3	3.7	19.5	1	20	-	22.5	20	119
GN.69447	GN 927.3-82-M6-25-B	82	M6	25	-	-	3	3.7	19.5	1	20	-	22.5	20	120
GN.69449	GN 927.3-82-M6-30-B	82	M6	30	-	-	3	3.7	19.5	1	20	-	22.5	20	120
GN.69451	GN 927.3-82-M6-35-B	82	M6	35	-	-	3	3.7	19.5	1	20	-	22.5	20	120
GN.69453	GN 927.3-82-M6-40-B	82	M6	40	-	-	3	3.7	19.5	1	20	-	22.5	20	120
GN.69455	GN 927.3-82-M6-50-B	82	M6	50	-	-	3	3.7	19.5	1	20	-	22.5	20	122
GN.69457	GN 927.3-82-M6-60-B	82	M6	60	-	-	3	3.7	19.5	1	20	-	22.5	20	122
GN.35767	GN 927.3-82-M8-20-B	82	M8	20	-	-	3	3.7	19.5	1	20	-	22.5	20	121
GN.69467	GN 927.3-82-M8-25-B	82	M8	25	-	-	3	3.7	19.5	1	20	-	22.5	20	122
GN.69469	GN 927.3-82-M8-30-B	82	M8	30	-	-	3	3.7	19.5	1	20	-	22.5	20	123
GN.69471	GN 927.3-82-M8-35-B	82	M8	35	-	-	3	3.7	19.5	1	20	-	22.5	20	125
GN.69473	GN 927.3-82-M8-40-B	82	M8	40	-	-	3	3.7	19.5	1	20	-	22.5	20	129
GN.69475	GN 927.3-82-M8-50-B	82	M8	50	-	-	3	3.7	19.5	1	20	-	22.5	20	130
GN.69477	GN 927.3-82-M8-60-B	82	M8	60	-	-	3	3.7	19.5	1	20	-	22.5	20	132
GN.69486	GN 927.3-101-M8-20-A	101	M8	20	25.3	29.3	4	4.8	-	1.5	26	30	-	25	224
GN.35771	GN 927.3-101-M8-25-A	101	M8	25	25.3	29.3	4	4.8	-	1.5	26	30	-	25	265
GN.69488	GN 927.3-101-M8-30-A	101	M8	30	25.3	29.3	4	4.8	-	1.5	26	30	-	25	227
GN.35775	GN 927.3-101-M8-35-A	101	M8	35	25.3	29.3	4	4.8	-	1.5	26	30	-	25	260
GN.69490	GN 927.3-101-M8-40-A	101	M8	40	25.3	29.3	4	4.8	-	1.5	26	30	-	25	232
GN.69492	GN 927.3-101-M8-50-A	101	M8	50	25.3	29.3	4	4.8	-	1.5	26	30	-	25	235
GN.69494	GN 927.3-101-M8-60-A	101	M8	60	25.3	29.3	4	4.8	-	1.5	26	30	-	25	238
GN.69506	GN 927.3-101-M10-20-A	101	M10	20	25.3	29.3	4	4.8	-	1.5	26	30	-	25	229
GN.35779	GN 927.3-101-M10-25-A	101	M10	25	25.3	29.3	4	4.8	-	1.5	26	30	-	25	258
GN.69508	GN 927.3-101-M10-30-A	101	M10	30	25.3	29.3	4	4.8	-	1.5	26	30	-	25	234
GN.35783	GN 927.3-101-M10-35-A	101	M10	35	25.3	29.3	4	4.8	-	1.5	26	30	-	25	266
GN.69510	GN 927.3-101-M10-40-A	101	M10	40	25.3	29.3	4	4.8	-	1.5	26	30	-	25	240
GN.69512	GN 927.3-101-M10-50-A	101	M10	50	25.3	29.3	4	4.8	-	1.5	26	30	-	25	260
GN.69514	GN 927.3-101-M10-60-A	101	M10	60	25.3	29.3	4	4.8	-	1.5	26	30	-	25	265
GN.69487	GN 927.3-101-M8-20-B	101	M8	20	-	-	4	4.8	25.3	1.5	26	-	27	25	224
GN.35773	GN 927.3-101-M8-25-B	101	M8	25	-	-	4	4.8	25.3	1.5	26	-	27	25	231
GN.69489	GN 927.3-101-M8-30-B	101	M8	30	-	-	4	4.8	25.3	1.5	26	-	27	25	227
GN.35777	GN 927.3-101-M8-35-B	101	M8	35	-	-	4	4.8	25.3	1.5	26	-	27	25	235
GN.69491	GN 927.3-101-M8-40-B	101	M8	40	-	-	4	4.8	25.3	1.5	26	-	27	25	232
GN.69493	GN 927.3-101-M8-50-B	101	M8	50	-	-	4	4.8	25.3	1.5	26	-	27	25	235
GN.69495	GN 927.3-101-M8-60-B	101	M8	60	-	-	4	4.8	25.3	1.5	26	-	27	25	238
GN.69507	GN 927.3-101-M10-20-B	101	M10	20	-	-	4	4.8	25.3	1.5	26	-	27	25	229
GN.35781	GN 927.3-101-M10-25-B	101	M10	25	-	-	4	4.8	25.3	1.5	26	-	27	25	236
GN.69509	GN 927.3-101-M10-30-B	101	M10	30	-	-	4	4.8	25.3	1.5	26	-	27	25	234
GN.35785	GN 927.3-101-M10-35-B	101	M10	35	-	-	4	4.8	25.3	1.5	26	-	27	25	238
GN.69511	GN 927.3-101-M10-40-B	101	M10	40	-	-	4	4.8	25.3	1.5	26	-	27	25	240
GN.69513	GN 927.3-101-M10-50-B	101	M10	50	-	-	4	4.8	25.3	1.5	26	-	27	25	260
GN.69515	GN 927.3-101-M10-60-B	101	M10	60	-	-	4	4.8	25.3	1.5	26	-	27	25	265



Clamping handles