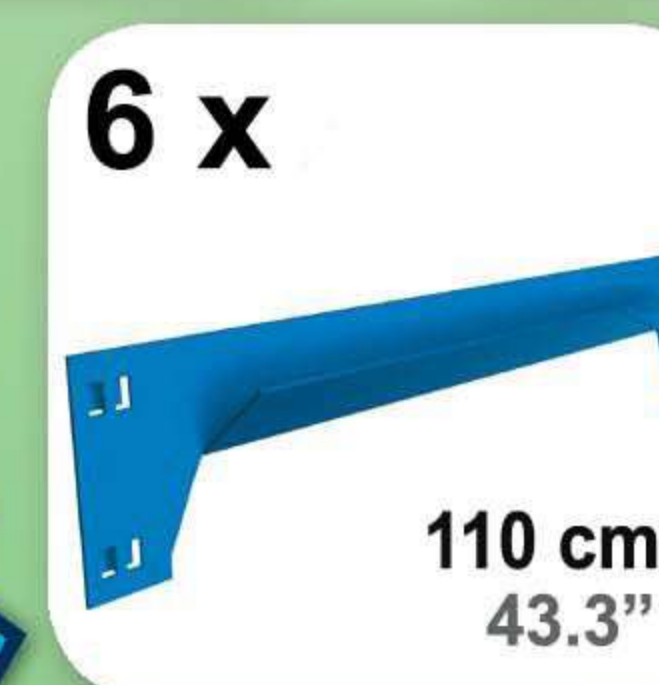


90 x 110 x 40 cm

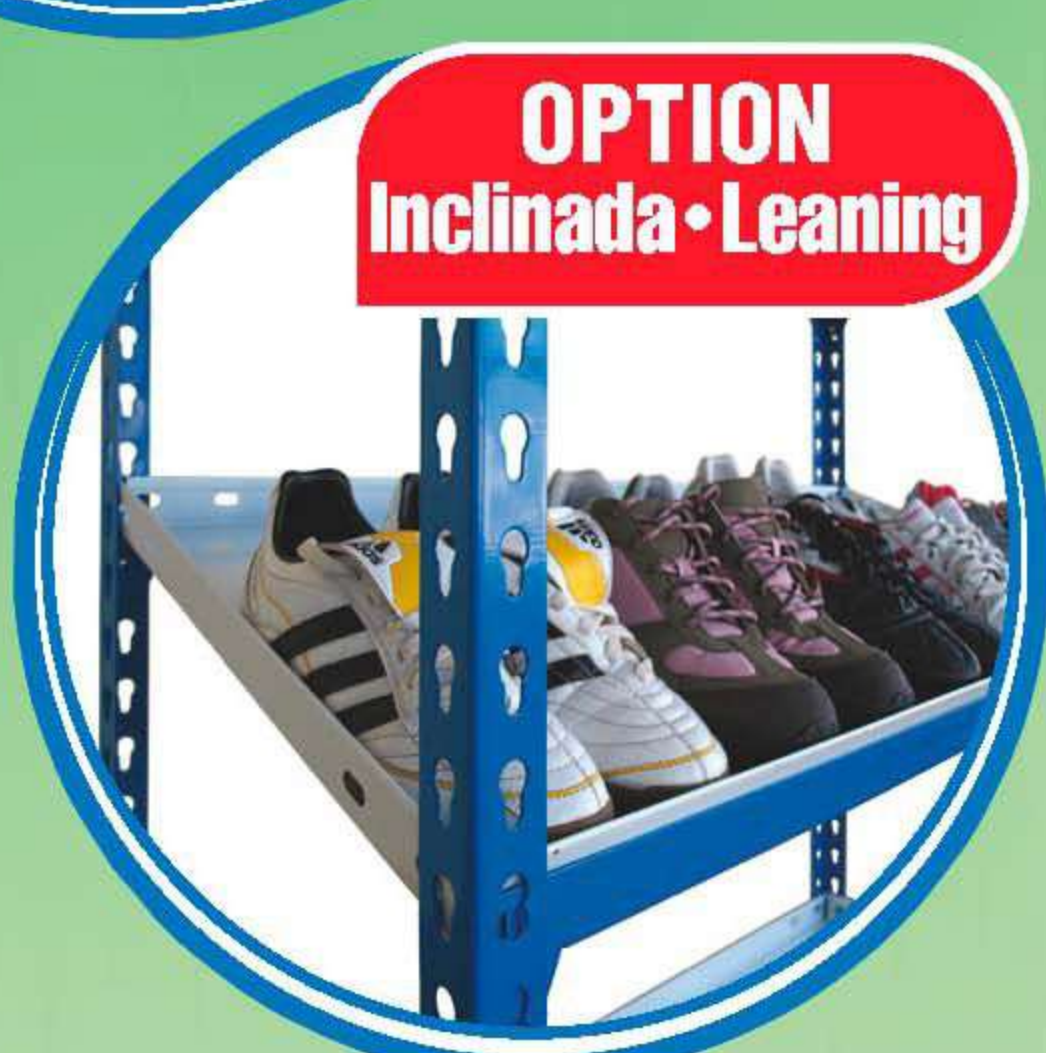
35.4" x 43.3" x 15.8"

SIMONCLICK SUPERPLUS 3/400

5 Años Garantía
Years Guarantee
Jahre Garantie
Ans Garantie
Anos de Garantia
SIMONRACK



600 kg
(1322 lb)
Total



*MEDIDAS EN USO / USED MEASUREMENTS
MASSNAHMEN IM EINSATZ / MESURES EN EMPLOI / MEDIDAS EN USO:
877x1110x410 mm (34.5"x43.7"x16.1")



ESTANTERIAS SIMON S.L. B.50.556.463
PG. ALFAMEN C/ POLIGONO C, Nº3
ALFAMEN (ZARAGOZA)

www.simonrack.com



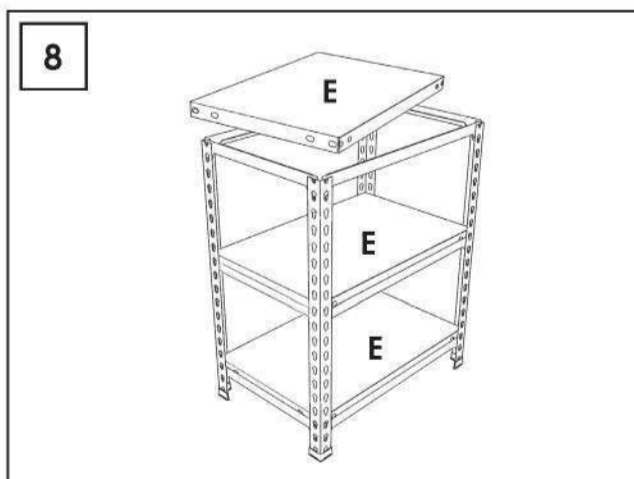
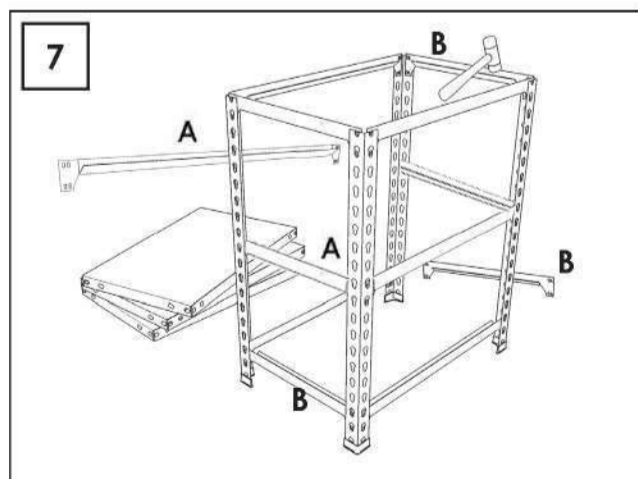
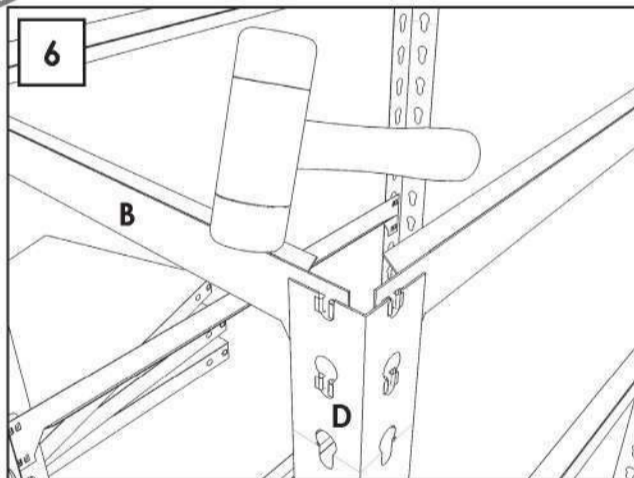
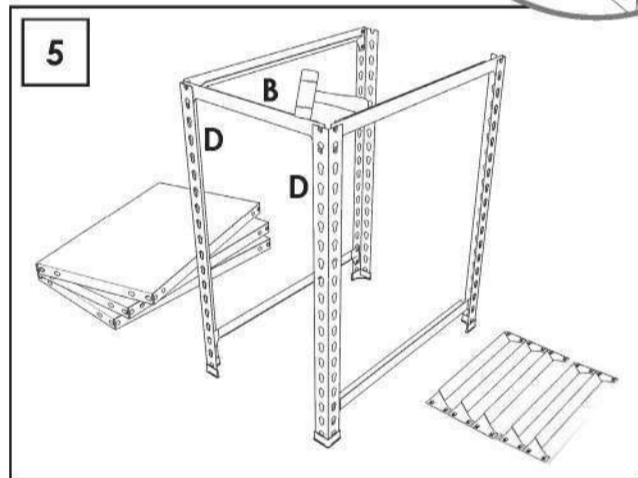
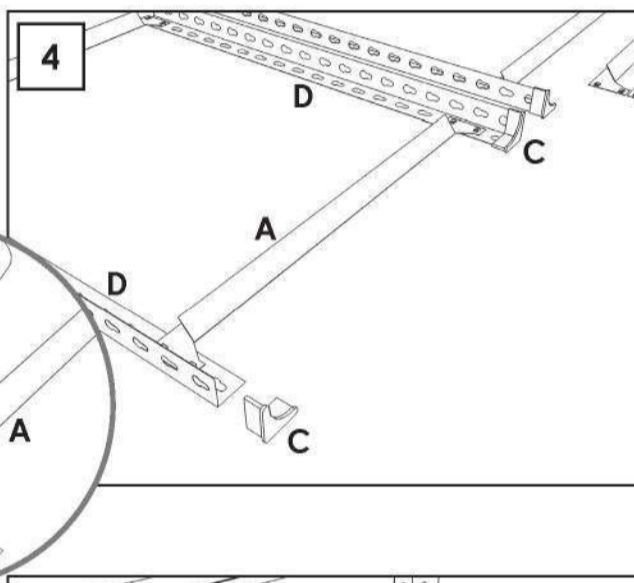
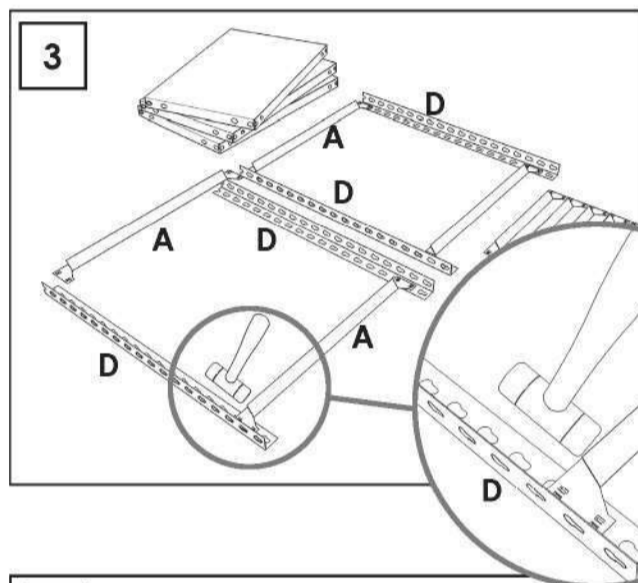
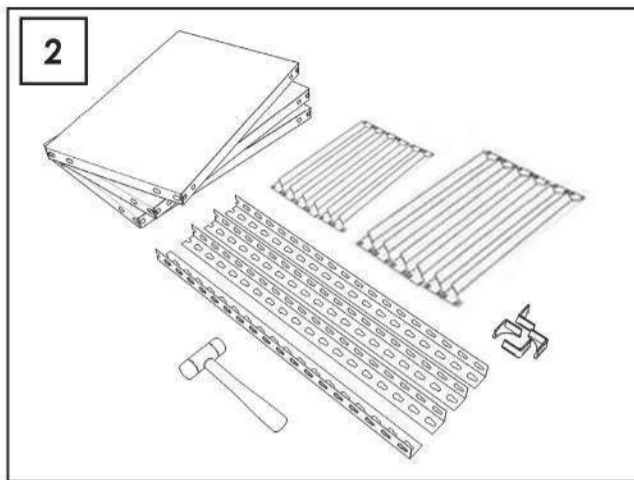
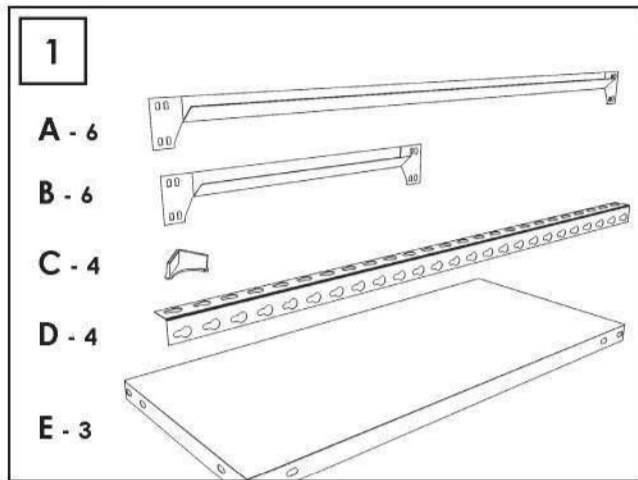
www.simonrack.com



Simon
Rack
SINCE 1964 - MANUFACTURER



INSTRUCTIONS



SIMONCLASSIC



150 kg
330 lb

SIMONCLICK



400 kg
900 lb

SIMONTALLER



700 kg
1550 lb

SIMONAUTO



300 kg
660 lb

SIMONWORK



800 kg
1800 lb

SIMONLOCKER



SIMONOFFICE



275 kg
600 lb

SIMONHOME



150 kg
330 lb

SIMONGARDEN



600 kg
1350 lb

SIMONTITÁN **SIMONINOX**



900 kg
1990 lb

SIMONINDUSTRIAL

SIMONPALET **SIMONLEVER**



4500 kg
9950 lb

ALTILLOS Y PASILLOS ELEVADOS
PLATFORMS AND MEZZANINES
LAGERBÜHNEN • PLATES-FORMES ET MEZZANINES



www.simonrack.com • www.simonrack.com • www.simonrack.com • www.simonrack.com • www.simonrack.com • www.simonrack.com • www.simonrack.com • www.simonrack.com • www.simonrack.com • www.simonrack.com

* Kg / lb por bandeja con carga uniformemente repartida
Kg / lb per shelf uniformly distributed load
Kg / lb pro fach bei gleichmäßig verteilter last
Kg / lb par plateau avec charge uniformément répartie