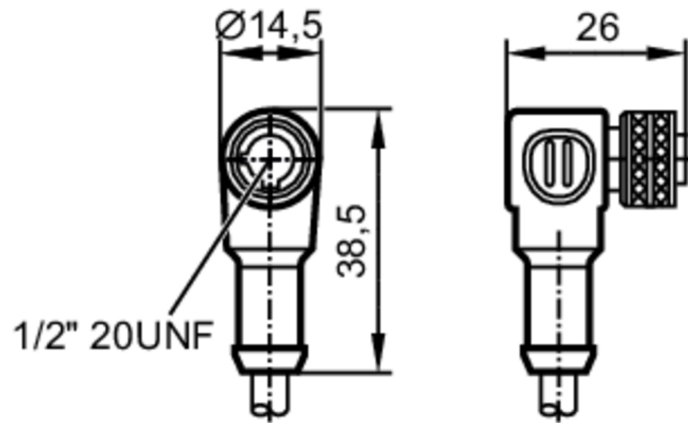


E11248



Connecting cable with socket

ADOAA050MSS0005H04



Application

Special feature	Halogen-free
-----------------	--------------

Electrical data

Operating voltage [V]	< 300 AC
-----------------------	----------

Operating conditions

Ambient temperature [°C]	-25...90
--------------------------	----------

Protection	IP 67
------------	-------

Mechanical data

Weight [g]	165.2
------------	-------

Materials	TPU
-----------	-----

Material nut	brass, nickel-plated
--------------	----------------------

Remarks

Pack quantity	1 pcs.
---------------	--------

Electrical connection

Cable: 5 m, PUR, Halogen-free, black, Ø 4.7 mm; 4 x 0.34 mm² (43 x Ø 0.1 mm)

Electrical connection - socket

Connector: 1 x 1/2", angled; Moulded body: TPU; Locking: brass, nickel-plated



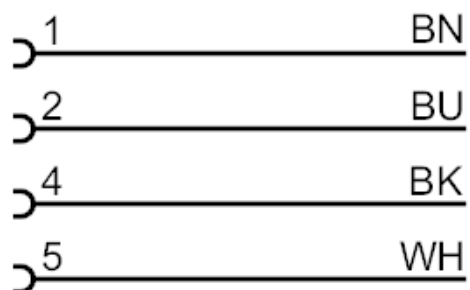
E11248



Connecting cable with socket

AD0AA050MSS0005H04

Connection



Core colours :

BK = black
BN = brown
BU = blue
WH = white