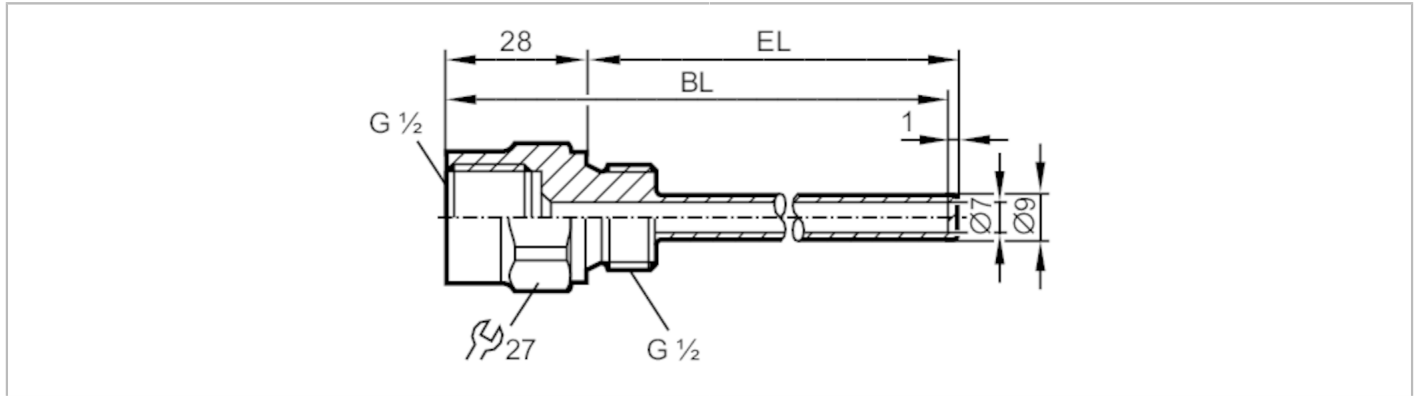


E37620



Thermowell for temperature sensors

THERMOWELL, D6/ G1/2 /L=150



Application

Design	for temperature sensors EL = 150 mm
Pressure rating [bar]	100
Note on pressure rating	< 250 °C

Mechanical data

Weight [g]	142.8
Materials	stainless steel (1.4571/316Ti)
Sensor connection	G 1/2 Ø 6 mm
Process connection	G 1/2
Installation length EL [mm]	124
Bore length BL [mm]	150

Remarks

Pack quantity	1 pcs.
---------------	--------