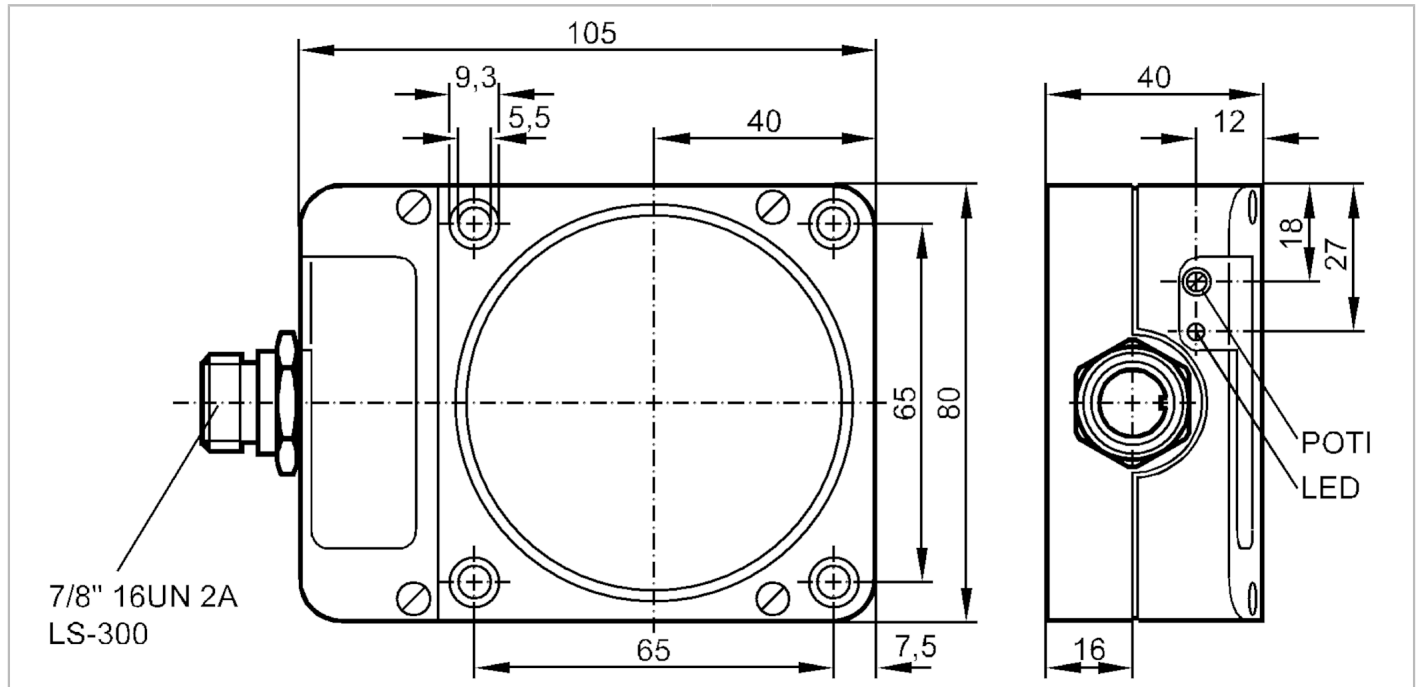


# ID3507



## Inductive sensor

IDE2060-FBOA/NPT/LS300L RT



### Product characteristics

Output function		normally open / normally closed; (selectable , via internal terminals 4 + 5 )
Sensing range	[mm]	60
Housing		rectangular

### Electrical data

Operating voltage	[V]	20...250 AC/DC
Protection class		I
Reverse polarity protection		no

### Outputs

Output function		normally open / normally closed; (selectable , via internal terminals 4 + 5 )
Max. voltage drop switching output DC	[V]	6.5
Max. voltage drop switching output AC	[V]	6.5
Minimum load current	[mA]	5
Max. leakage current	[mA]	2.5 (250 V AC) / 1.3 (110 V AC) / 1 (24 V DC)
Permanent current rating of switching output AC	[mA]	250; (350 (...50 °C))
Permanent current rating of switching output DC	[mA]	100
Short-time current rating of switching output	[mA]	2200; (20 ms / 0,5 Hz)
Switching frequency AC	[Hz]	4
Switching frequency DC	[Hz]	4
Factory setting		normally open
Short-circuit protection		no
Overload protection		no

# ID3507



## Inductive sensor

IDE2060-FBOA/NPT/LS300L RT

Detection zone		
Sensing range	[mm]	60
Sensing range adjustable		yes
Factory setting sensing range	[mm]	60
Real sensing range Sr	[mm]	60 ± 10 %
Operating distance	[mm]	0...48.6

Accuracy / deviations		
Correction factor		steel: 1 / stainless steel: 0.7 / brass: 0.4 / aluminium: 0.3 / copper: 0.2
Hysteresis	[% of Sr]	1...15
Switch point drift	[% of Sr]	-10...10

Operating conditions		
Ambient temperature	[°C]	-25...80
Protection		IP 65

Tests / approvals		
EMC	EN 60947-5-2	
	EN 55011	class B

Mechanical data		
Weight	[g]	477.5
Housing		rectangular
Mounting		non-flush mountable
Materials		PPE

Displays / operating elements		
Display	switching status	1 x LED, red

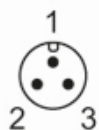
Electrical connection		
Required protection	miniature fuse to IEC60127-2 sheet 1; ≤ 2 A; fast acting	

Accessories		
Accessories (supplied)	screwdriver: 1	

Remarks		
Remarks	Recommendation: Check the safe functioning of the unit after a short circuit.	
Pack quantity	1 pcs.	

### Electrical connection - plug

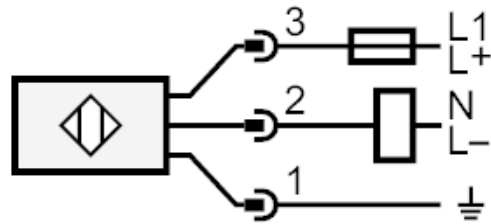
Connector: 1 x 7/8"



# ID3507

## Inductive sensor

IDE2060-FBOA/NPT/LS300L RT



Note miniature fuse to IEC60127-2 sheet 1  $\leq$  2 A fast acting