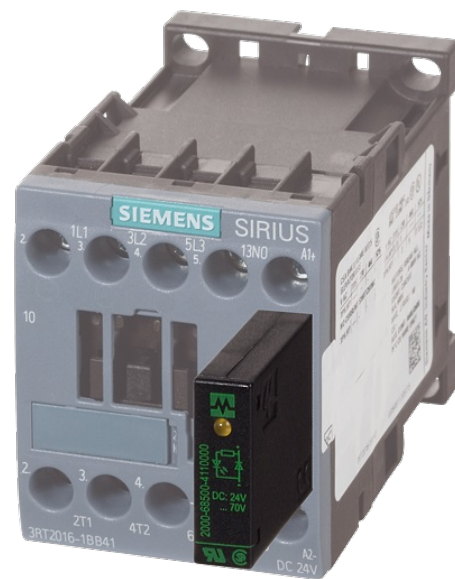


**SIEMENS CONTACTOR SUPPRESSOR**

RC, 230VAC/DC

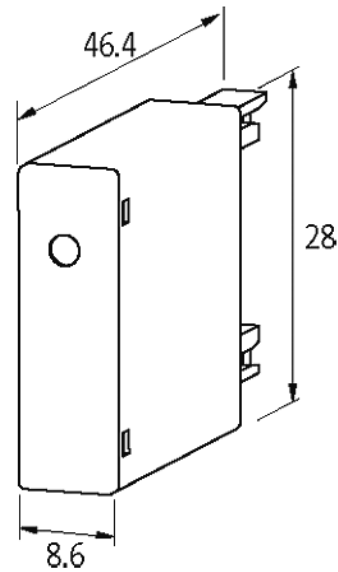
230 V AC/DC  
RC

For other configurations and voltages, please inquire

[Link to Product](#)**Illustration**

RC

stay connected



Product may differ from Image

### Approvals



### Appropriate contactors

3 RT 20.15/16/17/18

### Technical Data

|                  |   |
|------------------|---|
| Damping factor   | approx. 1.5 × UN                        |
| Material         | Flame retardant plastic acc. to (UL 94) |
| Connection wires | Plug contact                            |

### General data

|                      |                |
|----------------------|----------------|
| Dimensions H × W × D | 46.4×28×8.6 mm |
| Temperature range    | -20...+70 °C   |

### Commercial data

|                        |          |
|------------------------|----------|
| country of origin      | CZ       |
| customs tariff number  | 85363010 |
| minimum order quantity | 1        |