

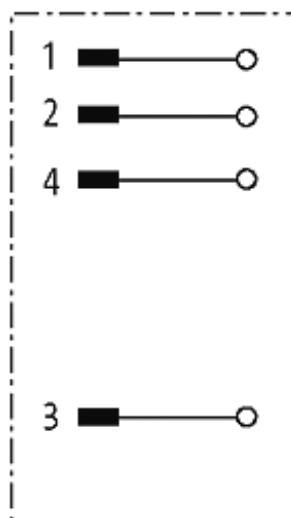
M12 MALE Y-DISTR. 0° WIREABLE SCREW TERM.4-pol. max.0,75mm²

Male straight, Y connector

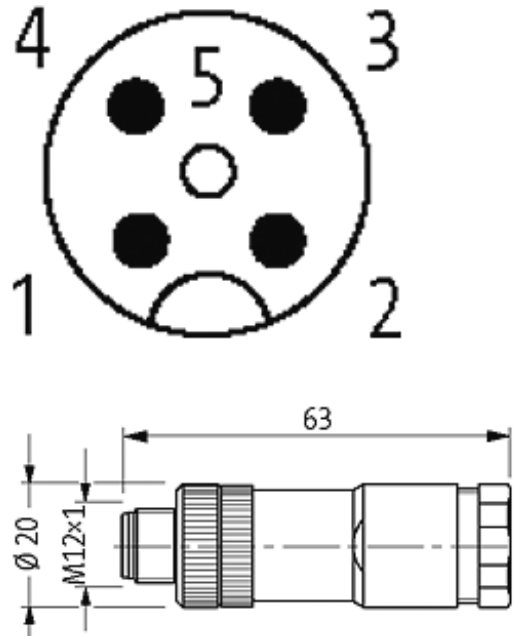
4-pole

Clamping range cable entry: 2.1...3/4...5 mm

Plastic housings with good resistance against chemicals and oils. The resistance to aggressive media should be individually tested for your application. Further details on request.

[Link to Product](#)**Illustration**

Male



Product may differ from Image

Approvals



Form

12781

Technical Data

Operating voltage	max. 250 V AC/DC
Operating current per contact	max. 4 A
Connection cross section	max. 0.75 mm ²
Sealing range (cable diameter)	2.1 ...3/4...5 mm (2 cable entries)
Protection	IP67 inserted and tightened (EN 60529)

General data

Temperature range	-25...+85 °C
Dimensions H x W x D	63x20x20 mm

Commercial data

country of origin	DE
customs tariff number	85369010
minimum order quantity	1