

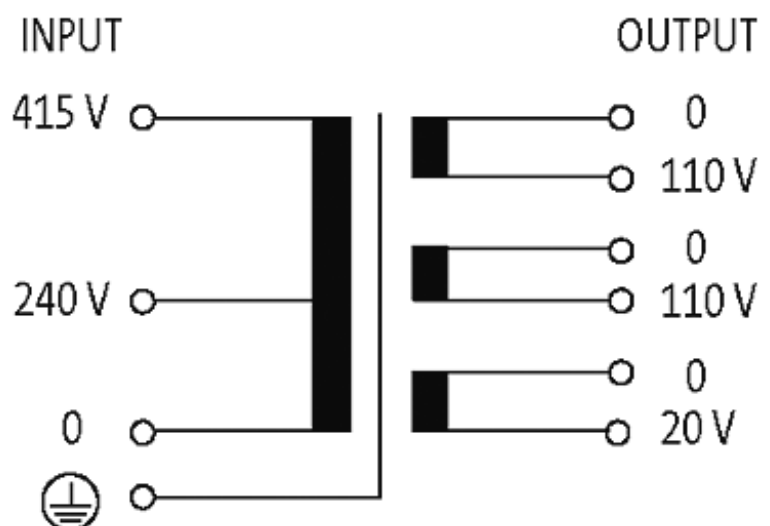
MET 1-PHASE CONTROL AND ISOLATION TRANSFORMER

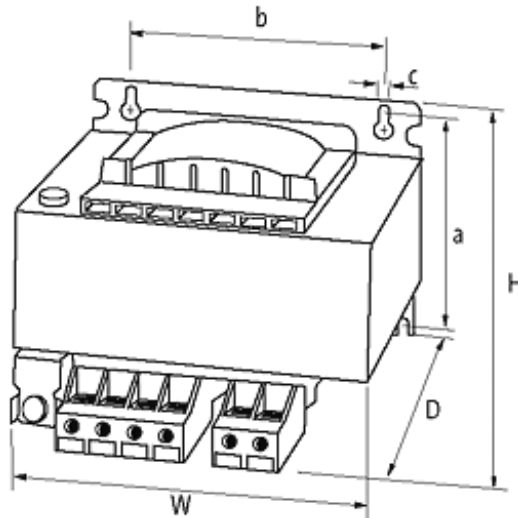
P: 800VA IN: 240-415VAC OUT: 110-110-20VAC

Single-phase - Control and Isolation Transformers
800 VA

[Link to Product](#)

Illustration





Product may differ from Image

Approvals



Input

Input voltage	240/415 V AC
Input current	3.75 A (240 V AC); 2.15 A (415 V AC)
Inrush current	92.8 A (240 V AC); 49.12 A (415 V AC)
Short-circuit current	87.8 A (240 V AC); 50.4 A (415 V AC)

General data

Standards	(EN 61558-1), (EN 61558-2-4), (EN 62041 category 0)
Test isolation voltage	4 kV (prim./sec.)
Mounting method	Key-hole mounting
Dimensions H × W × D	118×174×148 mm
Fixing centers a × b × c	92×135×7 mm
Drill hole Ø	7×11 mm
Temperature range	-20...+60 °C, no condensation

Output

Output voltage	110/240 V AC
----------------	--------------

Commercial data

country of origin	CZ
customs tariff number	85043180
minimum order quantity	1