

Bulk Head Adapter

multicomp PRO

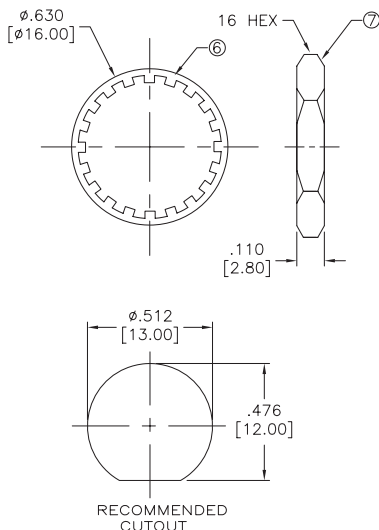
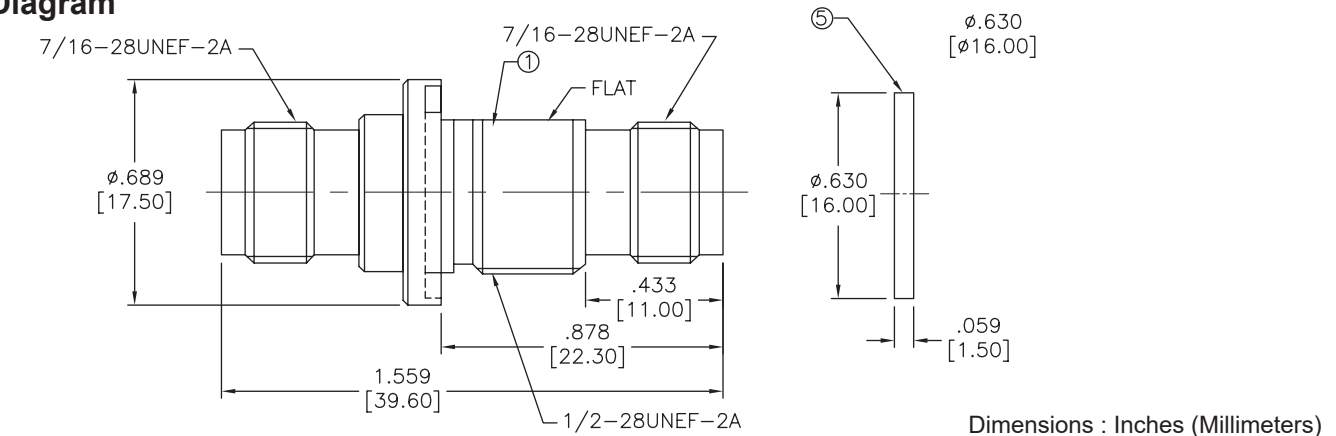
**RoHS
Compliant**



Specification

Impedance	: 50Ω
Frequency Range	: 0-7 GHz
VSWR	: < 1.1:1 up to 5 GHz
Working Voltage	: 500V RMS @ Sea Level
Insulation Resistance	: 5kMΩ Min
Temperature Range	: -65°C to 165°C (Gasket 85°C Max.)
Connector Type	: Intra Series Coaxial
Body Style	: Straight Bulkhead Adapter
Convert From Connector	: TNC Coaxial
Convert From Gender	: Jack

Diagram



No.	Description	QTY	Material	Finish
1	Body	1	Brass	Nickel, 100μ"
2	Body	1	Brass	Nickel, 100μ"
3	Insulator	1	PTFE	White
4	Contact	1	Phos. B.	Gold, 3 μ"
5	Gasket	1	Rubber	Red
6	Lock Washer	1	Brass	Nickel, 100μ"
7	Hex Nut	1	Brass	Nickel, 100μ"

Part Number Table

Description	Part Number
Bulk Head Adapter, TNC Jack to TNC Jack	SPC33235

Important Notice : This data sheet and its contents (the "Information") belong to the members of the AVNET group of companies (the "Group") or are licensed to it. No licence is granted for the use of it other than for information purposes in connection with the products to which it relates. No licence of any intellectual property rights is granted. The Information is subject to change without notice and replaces all data sheets previously supplied. The Information supplied is believed to be accurate but the Group assumes no responsibility for its accuracy or completeness, any error in or omission from it or for any use made of it. Users of this data sheet should check for themselves the Information and the suitability of the products for their purpose and not make any assumptions based on information included or omitted. Liability for loss or damage resulting from any reliance on the Information or use of it (including liability resulting from negligence or where the Group was aware of the possibility of such loss or damage arising) is excluded. This will not operate to limit or restrict the Group's liability for death or personal injury resulting from its negligence. Multicomp Pro is the registered trademark of Premier Farnell Limited 2019.

Newark.com/multicomp-pro
Farnell.com/multicomp-pro
Element14.com/multicomp-pro

multicomp PRO