



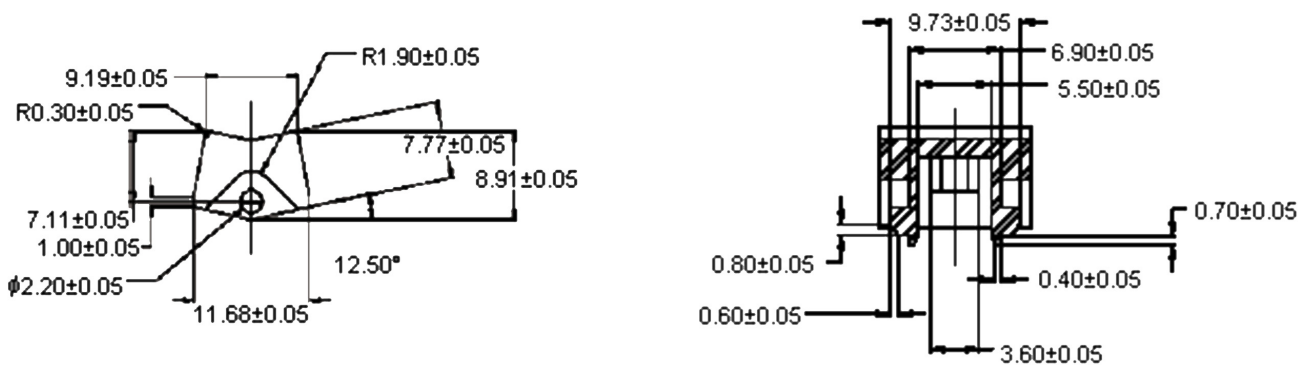
Features:

- Rocker actuators for increased versatility
- One body type for rocker actuator
- Colour choice for actuator
- Epoxy sealed rocker switch bodies
- Panel mounting

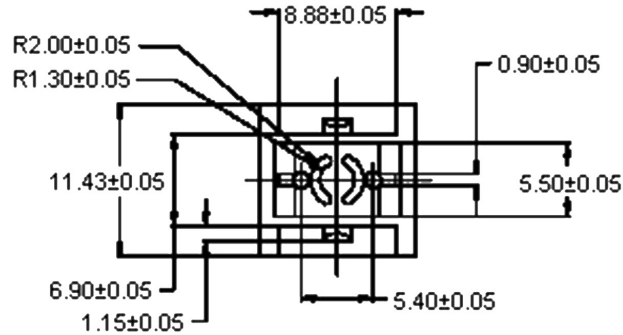
Specifications:

For Use With	: Rocker Switch Operator
Colour	: Red
External Depth	: 11.46mm
External Width	: 11.68mm
Height Max	: 8.9mm
Contact rating	: 5A at 28V DC or 115V AC
Electrical life	: 50,000 operations
Contact resistance	: 20mΩ at 4V DC
Operating temperature	: -30°C to +85°C

Subminiature, Snap-In Switch Components Rocker Actuator



Dimensions : Millimetres



Dimensions : Millimetres

Part Number Table

Description	Colour	Part Number
Actuator	Red	3R63
	Yellow	3R65
	Green	3R66
	Blue	3R67

Important Notice : This data sheet and its contents (the "Information") belong to the members of the AVNET group of companies (the "Group") or are licensed to it. No licence is granted for the use of it other than for information purposes in connection with the products to which it relates. No licence of any intellectual property rights is granted. The Information is subject to change without notice and replaces all data sheets previously supplied. The Information supplied is believed to be accurate but the Group assumes no responsibility for its accuracy or completeness, any error in or omission from it or for any use made of it. Users of this data sheet should check for themselves the Information and the suitability of the products for their purpose and not make any assumptions based on information included or omitted. Liability for loss or damage resulting from any reliance on the Information or use of it (including liability resulting from negligence or where the Group was aware of the possibility of such loss or damage arising) is excluded. This will not operate to limit or restrict the Group's liability for death or personal injury resulting from its negligence. Multicomp Pro is the registered trademark of Premier Farnell Limited 2019.