

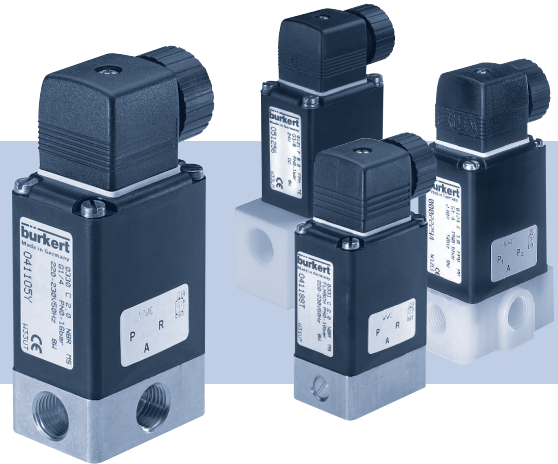
Artikel Nr. 125752 bis 125800

Artikel Nr. 125807 bis 125823, 129856, 129857

2/2- and 3/2-Way Solenoid Valve

2/2- und 3/2-Wege-Magnetventil

Électrovanne à 2/2 et 3/2 voies



Operating Instructions

Bedienungsanleitung

Manuel d'utilisation

Table of Contents

1	The operating instructions	2
2	Authorized use	3
3	Basic safety instructions.....	4
4	System description.....	5
5	Technical data.....	5
6	Assembly	9
7	Electrical connection	11
8	Disassembly.....	13
9	Maintenance, troubleshooting.....	14
10	Transportation, storage, disposal	15

1 THE OPERATING INSTRUCTIONS

The operating instructions contain important information.

- ▶ Read the instructions carefully and follow the safety instructions.
- ▶ Keep the instructions in a location where they are available to every user.

The liability and warranty for the device are void if the operating instructions are not followed.

1.1 Symbols

- ▶ Designates instructions for risk prevention.
- Designates a procedure which you must carry out.



DANGER!

Immediate danger! Serious or fatal injuries.



WARNING!

Possible danger! Serious or fatal injuries.



CAUTION!

Danger! Moderate or minor injuries.

NOTE!

Warns of damage to property.



Important tips and recommendations.



Refers to information in these operating instructions or in other documentation.

1.2 Definitions of terms

In these instructions, the term "device" always refers to the Type 0121, 0330, 0331, (0124, 0125, 0332, 0333).

2 AUTHORIZED USE

The device is designed to control, shut off and meter neutral and aggressive media up to a viscosity of 37 mm²/s.

- ▶ Use according to the authorized data, operating conditions and conditions of use specified in the contract documents and operating instructions.
- ▶ Provided the cable plug is connected and installed correctly, e.g. Bürkert Type 2518, the device satisfies degree of protection IP65 in accordance with DIN EN 60529 / IEC 60529.
- ▶ Only operate the device when in perfect condition and always ensure proper storage, transportation, installation and operation.
- ▶ Use the device only as intended.

2.1 Restrictions

If exporting the device, observe any existing restrictions.

3 BASIC SAFETY INSTRUCTIONS

These safety instructions do not make allowance for any contingencies and events which may arise during assembly, operation and maintenance.



Risk of injury from high pressure in the system/device.

- ▶ Before working on the system or device, switch off the pressure and vent/drain lines.

Risk of injury due to electrical shock.

- ▶ Before working on the system or device, switch off the power supply and secure to prevent reactivation.
- ▶ Observe applicable accident prevention and safety regulations for electrical equipment.

Risk of burns/risk of fire if used for a prolonged switch-on time through hot device surface.

- ▶ Keep device away from highly flammable substances and media and do not touch with bare hands.

Risk of short-circuit/escape of media through leaking screw joints.

- ▶ Ensure seals are seated correctly.
- ▶ Carefully screw valve and pipelines together.

Risk of injury due to malfunction of valves with alternating voltage (AC).

Sticking core causes coil to overheat, resulting in a malfunction.

- ▶ Monitor process to ensure function is in perfect working order.

General hazardous situations.

To prevent injuries:

- ▶ In a potentially explosive area, the device may be used only in accordance with the specification on the type label. For the use, observe the supplementary instructions manual enclosed with the device with safety instructions for the explosion-risk area.
- ▶ The enclosed UL instructions must be followed in the UL area.
- ▶ Do not carry out any external or internal modifications and do not subject the device to mechanical loads (e.g. by placing objects on it or standing on it).
- ▶ Secure the device against unintentional activation.
- ▶ Only trained technicians may perform installation and maintenance work.
- ▶ The valves must be installed in accordance with the regulations applicable in the country.
- ▶ After an interruption in the power supply, ensure that the process is restarted in a controlled manner.
- ▶ Observe the general rules of technology.

4 SYSTEM DESCRIPTION

The pivoted armature valves are direct acting 2/2 or 3/2-way solenoid valves in a wide variety of circuit functions and models. Solenoid system and media chamber are separated from one another by a separating diaphragm system. The valves are fast acting and have a long service life.

Type 0121	2/2 or 3/2-way solenoid valve, socket connection
Type 0330	2/2 or 3/2-way solenoid valve, socket connection
Type 0331	2/2 or 3/2-way solenoid valve, flange connection
Type 0332	Bistable 2/2 or 3/2-way solenoid valve with 2 coil windings, socket connection
Type 0333	Bistable 2/2 or 3/2-way solenoid valve with 2 coil windings, flange connection
Type 0124	2/2 or 3/2-way solenoid valve, socket connection
Type 0125	2/2 or 3/2-way solenoid valve, flange connection

5 TECHNICAL DATA



The following values are indicated on the type label:

- **Voltage** (tolerance $\pm 10\%$) / **current type**
- **Coil power consumption** (active power in W - at operating temperature)
- **Pressure range**
- **Body material** (MS=brass, VA=stainless steel, PV=PVC, TE=PTFE, PP=polypropylene, PD=PVDF)
- **Seal material** (F=FKM, A=EPDM, B=NBR, C=FFKM)

5.1 Conformity

The Types 0121, 0330, 0331, (0124, 0125, 0332, 0333) are compliant with the EC Directives according to the EC Declaration of Conformity (if applicable).

5.2 Standards

The applied standards, which are used to demonstrate compliance with the EC Directives, are listed in the EC type test certificate and/or the EC Declaration of Conformity (if applicable).

5.3 Operating conditions

Ambient temperature

Type 0121	max. +50 °C
Other types	max. +55 °C

Duty cycle
for body material

Brass or stainless steel	long-term operation, duty cycle 100%
Plastic	max. permissible duty cycle see data sheet



Important information for functional reliability.

If switched off for a long period, 1-2 switching actions are recommended prior to restart.

Service life

High switching frequency and high pressures reduce the service life.

Degree of protection

IP65 in accordance with DIN EN 60529 / IEC 60529 with correctly connected and installed cable plug, e.g. Bürkert Type 2518

5.4 Mechanical data

Dimensions	see data sheet
Coil material	epoxide
Connections	G 1/4 (NPT 1/4, G 1/8, G 3/8, Rc 1/4 on request)

5.5 Fluidic data

Media aggressive, neutral, gaseous and liquid media, which do not attack body and seal materials. (see resistance table at www.burkert.com).

Medium temperature for seal material

FKM	0 °C to +90 °C
EPDM	-30 °C to +90 °C
NBR	0 °C to +80 °C
FFKM	+5 °C to +90 °C

For UL Listed valves the following values must be observed:

Fluid	Temperatures	NBR [°F]	NBR [°C]	EPDM [°F]	EPDM [°C]	FKM [°F]	FKM [°C]
Air	Fluid	+32 to +176	0 to +80	-22 to +194	-30 to +90	+32 to +194	0 to +90
	Ambient	+32 to +131	0 to +55	+14 to +131	-10 to +55	+32 to +131	0 to +55
Water	Fluid	+41 to +176	+5 to +80	+41 to +194	+5 to +90	+41 to +194	+5 to +90
	Ambient	+32 to +131	0 to +55	+14 to +131	-10 to +55	+32 to +131	0 to +55
Inert gas	Fluid	+32 to +176	0 to +80	-22 to +194	-30 to +90	+32 to +194	0 to +90
	Ambient	+32 to +131	0 to +55	+14 to +131	-10 to +55	+32 to +131	0 to +55
Oil	Fluid	-		-		+32 to +194	0 to +90
	Ambient					+32 to +131	0 to +55
LP-gas	Fluid	-		-		+32 to +194	0 to +90
	Ambient					+32 to +131	0 to +55
Oxygen	Fluid	-		-		+32 to +194	0 to +90
	Ambient					+32 to +131	0 to +55

Circuit functions		
A (NC)		2/2-way valve, closed in rest position
B (NO)		2/2-way valve, open in rest position
C (NC)		3/2-way valve; closed in rest position, output A unloaded
D (NO)		3/2-way valve, in rest position, output B pressurized
E		3/2-way mixing valve; in rest position, pressure connection P2 connected to output A, P1 closed
F		3/2-way distribution valve, in rest position, pressure connection P connected to output B
T		3/2-way all purpose valve

5.6 Electrical data

Connections DIN EN 175301-803 (DIN 43 650), shape A for
cable plug Type 2518 or 2509

5.7 Type label (example)

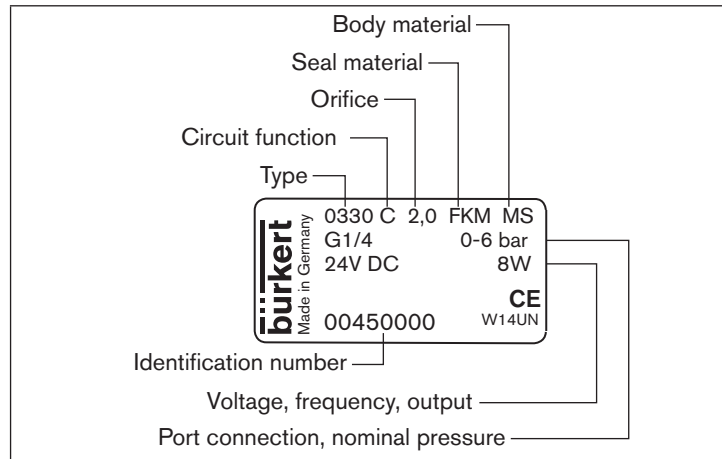


Fig. 1: Description of the type label

6 ASSEMBLY



DANGER!

Risk of injury from high pressure in the system/device.

- ▶ Before working on the system or device, switch off the pressure and vent/drain lines.

Risk of injury due to electrical shock.

- ▶ Before working on the system or device, switch off the power supply and secure to prevent reactivation.
- ▶ Observe applicable accident prevention and safety regulations for electrical equipment.



WARNING!

Risk of injury from improper assembly.

- ▶ The assembly may be carried out only by trained technicians and with the appropriate tools.
- ▶ Secure system against unintentional activation.
- ▶ Following assembly, ensure a controlled restart.

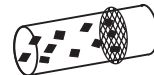
6.1 Before installation

Installation position:

The installation position is optional. Preferably: Actuator at the top.

→ Prior to installation check pipelines for dirt and clean if necessary.

Dirt filter: To ensure that the solenoid valve functions reliably, a dirt filter ($\leq 500 \mu\text{m}$) must be installed in front of the valve input.



6.2 Installation

→ Observe flow direction:

Functioning of the device is only ensured if the circuit function is maintained.

Devices with socket connection

→ Use PTFE tape as seal material.

→ Determine the maximum screw-in depth of the connecting threads as this does not comply with any standard.

NOTE!

Caution risk of breakage.

- ▶ Do not use the coil as a lifting arm.

→ Hold the device with a suitable tool (open-end wrench) on the body; screw into the pipeline.

Attaching the device:

→ Via bore holes M4x8 (made from brass or stainless steel) or self-tapping screws 3.9 DIN 7970 (made from plastic, max. screw-in depth 10 mm) on the bottom side of the body at drill pattern 38x24.

Devices in flange model

Attaching the device:

- Via supplied screws on basic devices or manifold.
- Tighten fastening screws on the coil to a maximum torque of 2 Nm.

6.3 Manual control

NOTE!

- ▶ When the manual control is locked, the valve cannot be actuated electrically.

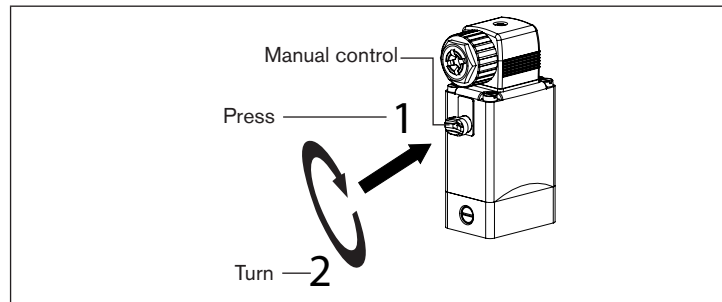


Fig. 2: Manual control

7 ELECTRICAL CONNECTION



DANGER!

Risk of injury due to electrical shock.

- ▶ Before working on the system or device, switch off the power supply and secure to prevent reactivation.
- ▶ Observe applicable accident prevention and safety regulations for electrical equipment.

If the protective conductor is not connected, there is a risk of electric shock.

- ▶ Always connect protective conductor and check electrical continuity between coil and housing.

Approved cable plug, e.g. Type 2518 or other suitable cable plug in accordance with DIN EN 175301-803 shape A

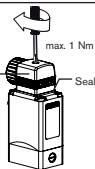


Fig. 3: Connecting the cable plug to the power supply



Note the voltage and current type as specified on the type label.

7.1 Standard device

- Connect L1/+ and N/- to terminals 1 and 2, independent of the polarity.
- Connect protective conductor.
- Attach seal and check for correct fit.
- Tighten cable plug (Type 2518 or 2509 in accordance with DIN EN 175301-803 (DIN 43 650), shape A, for order numbers see data sheet); while doing so, observe the maximum torque of 1 Nm.
- Check electrical continuity between coil and body (protective conductor function).

7.2 Pulse variant (CF 02)



In accordance with the terminals on the valves, the connection terminals in the cable plug are marked with the numbers 1 to 3.

- Connect as shown in [“Fig. 4”](#). Pulse on terminal 1 closes the valve; pulse on terminal 2 opens the valve.
- Attach seal and check for correct fit.
- Tighten cable plug (Type 2518 or 2509 in accordance with DIN EN 175301-803 (DIN 43 650), shape A, for order numbers see data sheet); while doing so, observe the maximum torque of 1 Nm.

→ Check electrical continuity between coil and body (protective conductor function).

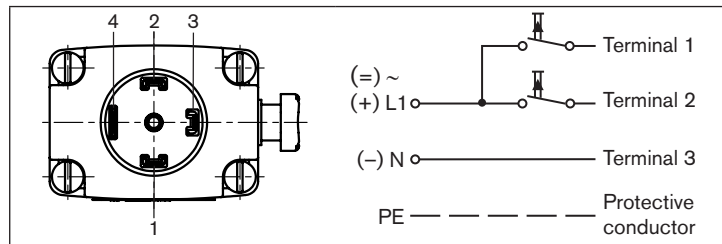


Fig. 4: Electrical connection pulse variant (CF 02)

NOTE!

- ▶ Prevent simultaneous pulsing on both coil windings.
- ▶ Parallel to the terminals, no other consumers (relay, etc.) may be connected.
- ▶ The respective coil connection that does not carry current must be galvanically isolated (open).
- ▶ In case two or more valves are connected in parallel, the use of two-pole or multi-pole switches must ensure that this requirement is met.

7.3 Kick-and-drop-electronic variant (solenoid coil ACP016)

Information on the solenoid coil Type ACP016 can be found in the corresponding operating manual at www.burkert.com.



DANGER

If solenoid coils feature a terminal box, also observe the following:

- ▶ Insert permanently installed cables and lines only.
- ▶ Use a suitable cable and line entry. Observe specifications in the operating instructions ACP016.
- ▶ The terminals in the terminal box are intended for wires between 0.5 mm² and 2.5 mm².
- ▶ Tighten terminal screws to 0.25 Nm.
- ▶ Lock housing cover properly. Tighten lock screw to 2 Nm.
- ▶ Check continuity of the protective conductor connection.
- ▶ Before opening the housing cover, disconnect the power supply.
- ▶ Connect maximum two conductors to each terminal.

7.3.1 Solenoid coils with cable outlet



The connection cable is encapsulated with the solenoid coil Type ACP016 and cannot be removed.

Observe the indicated voltage according to the type label.

Wire assignment:

Wire color	Terminal assignment
green / yellow	Protective conductor
black	Phase / positive pole (+)
black	Neutral conductor / negative pole (-)

7.3.2 Solenoid coils with terminal box

	Position	Terminal assignment
		Protective conductor
		Neutral conductor / negative pole (-)
		Phase / positive pole (+)

Fig. 5: Terminal box

8 DISASSEMBLY



DANGER!

Risk of injury from high pressure in the system/device.

- ▶ Before working on the system or device, switch off the pressure and vent/drain lines.

Risk of injury due to electrical shock.

- ▶ Before working on the system or device, switch off the power supply and secure to prevent reactivation.
- ▶ Observe applicable accident prevention and safety regulations for electrical equipment.



WARNING!

Risk of injury from improper disassembly.

- ▶ Disassembly may be carried out only by trained technicians and with the appropriate tools.

Risk of injury from hazardous media.

- ▶ Before loosening lines or valves, flush out hazardous media, depressurize and drain the lines.

9 MAINTENANCE, TROUBLESHOOTING



DANGER!

Risk of injury from high pressure in the system.

- ▶ Turn off the pressure and vent the lines before loosening lines or valves.

Risk of injury due to electrical shock.

- ▶ Before working on the system or device, switch off the power supply and secure to prevent reactivation.
- ▶ Observe applicable accident prevention and safety regulations for electrical equipment.



WARNING!

Risk of injury from improper maintenance work.

- ▶ Maintenance may be carried out only by trained technicians and with the appropriate tools.
- ▶ Secure system against unintentional activation.
- ▶ Following maintenance, ensure a controlled restart.

9.1 Malfunctions

If malfunctions occur, check whether:

- the device has been installed according to the instructions,
- the electrical and fluid connections are correct,
- the device is not damaged,
- all screws have been tightened,
- the voltage and pressure have been switched on,
- the pipelines are clean.

Malfunction	Possible cause
Valve does not switch	Short circuit or coil interrupted
	Medium pressure outside the permitted pressure range
	Manual control locked
Valve does not close	Inner compartment of the valve is dirty
	Manual control locked

9.1.1 Repairs

Repairs may only be carried out by the manufacturer. Operating data may change if spare parts are replaced by the user.

10 TRANSPORTATION, STORAGE, DISPOSAL

NOTE!

Transport damage.

Inadequately protected devices may be damaged during transportation.

- ▶ Protect the device against moisture and dirt in shock-resistant packaging during transportation.
- ▶ Prevent the temperature from exceeding or dropping below the permitted storage temperature.

Incorrect storage may damage the device.

- ▶ Store the device in a dry and dust-free location.
- ▶ Storage temperature -40 to +80 °C.

Damage to the environment caused by parts contaminated with media.

- ▶ Dispose of the device and packaging in an environmentally friendly manner.
- ▶ Observe applicable disposal and environmental regulations.

Inhaltsverzeichnis

1	Die Bedienungsanleitung	16
2	Bestimmungsgemäße Verwendung	17
3	Grundlegende Sicherheitshinweise	18
4	Systembeschreibung	19
5	Technische Daten	19
6	Montage	23
7	Elektrischer Anschluss	25
8	Demontage	27
9	Wartung, Fehlerbehebung	28
10	Transport, Lagerung, Entsorgung	29

1 DIE BETRIEBANLEITUNG

Die Bedienungsanleitung enthält wichtige Informationen.

- ▶ Anleitung sorgfältig lesen und die Hinweise zur Sicherheit beachten.
- ▶ Anleitung so aufbewahren, dass sie jedem Benutzer zur Verfügung steht.

Die Haftung und Gewährleistung für das Gerät entfällt, wenn die Anweisungen der Bedienungsanleitung nicht beachtet werden.

1.1 Darstellungsmittel

- ▶ markiert eine Anweisung zur Gefahrenvermeidung.
- markiert einen Arbeitsschritt, den Sie ausführen müssen.



GEFAHR!

Unmittelbare Gefahr! Schwere oder tödliche Verletzungen.



WARNUNG!

Mögliche Gefahr! Schwere oder tödliche Verletzungen.



VORSICHT!

Gefahr! Mittelschwere oder leichte Verletzungen.

HINWEIS!

Warnt vor Sachschäden.



Wichtige Tipps und Empfehlungen.



verweist auf Informationen in dieser Bedienungsanleitung oder in anderen Dokumentationen.

1.2 Begriffsdefinition

Der in dieser Anleitung verwendete Begriff „Gerät“ steht immer für die Typen 0121, 0330, 0331, (0124, 0125, 0332, 0333).

2 BESTIMMUNGSGEMÄSSE VERWENDUNG

Das Gerät ist zum Steuern, Absperrern und Dosieren von neutralen und aggressiven Medien bis zu einer Viskosität von **37 mm²/s** konzipiert.

- ▶ Für den Einsatz die in den Vertragsdokumenten und der Bedienungsanleitung spezifizierten zulässigen Daten, Betriebs- und Einsatzbedingungen beachten.
- ▶ Mit einer sachgemäß angeschlossenen und montierten Gerätesteckdose, z. B. Bürkert Typ 2518 erfüllt das Gerät die Schutzart IP65 nach DIN EN 60529 / IEC 60529.

Das Gerät

- ▶ nur in einwandfreiem Zustand betreiben und auf sachgerechte Lagerung, Transport, Installation und Bedienung achten.
- ▶ nur bestimmungsgemäß verwenden.

2.1 Beschränkungen

Bei der Ausfuhr des Geräts gegebenenfalls bestehende Beschränkungen beachten.

3 GRUNDLEGENDE SICHERHEITSHINWEISE

Diese Sicherheitshinweise berücksichtigen keine Zufälligkeiten und Ereignisse, die bei Montage, Betrieb und Wartung auftreten können.



Verletzungsgefahr durch hohen Druck in Anlage/Gerät.

- ▶ Vor Arbeiten an Anlage oder Gerät den Druck abschalten und Leitungen entlüften/entleeren.

Verletzungsgefahr durch Stromschlag.

- ▶ Vor Arbeiten an Anlage oder Gerät die Spannung abschalten und gegen Wiedereinschalten sichern.
- ▶ Die geltenden Unfallverhütungs- und Sicherheitsbestimmungen für elektrische Geräte beachten.

Verbrennungsgefahr/Brandgefahr bei längerer Einschaltzeit durch heiße Geräteoberfläche.

- ▶ Gerät von leicht brennbaren Stoffen und Medien fernhalten und nicht mit bloßen Händen berühren.

Kurzschlussgefahr/Austritt von Medium durch undichte Verschraubungen.

- ▶ Auf einwandfreien Sitz der Dichtungen achten.
- ▶ Ventil und Rohrleitungen sorgfältig verschrauben.

Verletzungsgefahr durch Funktionsausfall bei Ventilen mit Wechselfpannung (AC).

Festsitzender Kern bewirkt Spulenüberhitzung, die zu Funktionsausfall führt.

- ▶ Arbeitsprozess auf einwandfreie Funktion überwachen.

Allgemeine Gefahrensituationen.

Zum Schutz vor Verletzungen ist zu beachten:

- ▶ Im explosionsgefährdeten Bereich darf das Gerät nur entsprechend der Spezifikation auf dem Typschild eingesetzt werden. Für den Einsatz muss die dem Gerät beiliegende Zusatzanleitung mit Sicherheitshinweisen für den Ex-Bereich beachtet werden.
- ▶ Im UL-Bereich muss die beiliegende UL-Anleitung beachtet werden.
- ▶ Am Gerät keine inneren oder äußeren Veränderungen vornehmen und nicht mechanisch belasten (z. B. durch Ablage von Gegenständen oder als Trittstufe).
- ▶ Gerät vor unbeabsichtigtem Betätigen sichern.
- ▶ Nur geschultes Fachpersonal darf Installations- und Instandhaltungsarbeiten ausführen.
- ▶ Geräte gemäß der im Land gültigen Vorschriften installieren.
- ▶ Nach Unterbrechung der elektrischen Versorgung einen kontrollierten Wiederanlauf des Prozesses sicherstellen.
- ▶ Allgemeine Regeln der Technik einhalten.

4 SYSTEMBESCHREIBUNG

Die Klappankerventile sind direktwirkende 2/2- oder 3/2-Wege-Magnetventile in vielfältigen Wirkungsweisen und Ausführungen. Magnetsystem und Mediumsraum sind durch ein Trennmembransystem voneinander getrennt. Die Ventile sind schnellschaltend und haben eine hohe Lebensdauer.

Typ 0121	2/2- oder 3/2-Wege-Magnetventil, Muffenanschluss
Typ 0330	2/2- oder 3/2-Wege-Magnetventil, Muffenanschluss
Typ 0331	2/2- oder 3/2-Wege-Magnetventil, Flanschanschluss
Typ 0332	Bistabiles 2/2- oder 3/2-Wege-Magnetventil mit 2 Spulenwicklungen, Muffenanschluss
Typ 0333	Bistabiles 2/2- oder 3/2-Wege-Magnetventil mit 2 Spulenwicklungen, Flanschanschluss
Typ 0124	2/2- oder 3/2-Wege-Magnetventil, Muffenanschluss
Typ 0125	2/2- oder 3/2-Wege-Magnetventil, Flanschanschluss

5 TECHNISCHE DATEN



Folgende Werte sind auf dem Typschild angegeben:

- **Spannung** (Toleranz $\pm 10\%$) / **Stromart**
- **Spulenleistung** (Wirkleistung in W - betriebswarm)
- **Druckbereich**
- **Gehäusewerkstoff** (MS=Messing, VA=Edelstahl, PV=PVC, TE=PTFE, PP=Polypropylen, PD=PVDF)
- **Dichtwerkstoff** (F=FKM, A=EPDM, B=NBR, C=FFKM)

5.1 Konformität

Die Typen 0121, 0330, 0331, (0124, 0125, 0332, 0333) sind konform zu den EU-Richtlinien entsprechend der EU-Konformitätserklärung (wenn anwendbar).

5.2 Normen

Die angewandten Normen, mit welchen die Konformität zu den Richtlinien nachgewiesen wird, sind in der EU-Baumusterprüfbescheinigung und/oder der EU-Konformitätserklärung nachzulesen (wenn anwendbar).

5.3 Betriebsbedingungen

Umgebungstemperatur

Typ 0121	max. +50 °C
andere Typen	max. +55 °C

Einschaltdauer

bei Gehäusewerkstoff

Messing oder Edelstahl	Dauerbetrieb 100% ED
Kunststoff	max. zulässige Einschaltdauer siehe Datenblatt



Wichtiger Hinweis zur Funktionssicherheit.

Bei langem Stillstand wird eine Mindestbetätigung von 1–2 Schaltungen vor Wiederanlauf empfohlen.

Lebensdauer

hohe Schaltfrequenz und hohe Drücke
verringern die Lebensdauer

Schutzart

IP65 nach DIN EN 60529 / IEC 60529
mit sachgemäß angeschlossener und
montierter Gerätesteckdose,
z. B. Bürkert Typ 2518

5.4 Mechanische Daten

Abmessungen

siehe Datenblatt

Spulenwerkstoff

Epoxid

Anschlüsse

G 1/4

(NPT 1/4, G 1/8, G 3/8, Rc 1/4 auf Anfrage)

5.5 Fluidische Daten

Medien

aggressive, neutrale, gasförmige und flüssige Medien,
die Gehäuse und Dichtwerkstoffe nicht angreifen (siehe
Beständigkeitstabelle unter www.buerkert.de)

Mediumstemperatur bei Dichtwerkstoff

FKM 0 °C... +90 °C

EPDM -30 °C... +90 °C

NBR 0 °C... +80 °C

FFKM +5 °C... +90 °C

Bei UL-gelisteten Ventilen folgende Werte beachten:

Medium	Temperaturen	NBR [°F]	NBR [°C]	EPDM [°F]	EPDM [°C]	FKM [°F]	FKM [°C]
Luft	Medium	+32 ... +176	0 ... +80	-22 ... +194	-30 ... +90	+32 ... +194	0 ... +90
	Umgebung	+32 ... +131	0 ... +55	+14 ... +131	-10 ... +55	+32 ... +131	0 ... +55
Wasser	Medium	+41 ... +176	+5 ... +80	+41 ... +194	+5 ... +90	+41 ... +194	+5 ... +90
	Umgebung	+32 ... +131	0 ... +55	+14 ... +131	-10 ... +55	+32 ... +131	0 ... +55
Inertgas	Medium	+32 ... +176	0 ... +80	-22 ... +194	-30 ... +90	+32 ... +194	0 ... +90
	Umgebung	+32 ... +131	0 ... +55	+14 ... +131	-10 ... +55	+32 ... +131	0 ... +55
Öl	Medium	-		-		+32 ... +194	0 ... +90
	Umgebung					+32 ... +131	0 ... +55
LP-Gas	Medium	-		-		+32 ... +194	0 ... +90
	Umgebung					+32 ... +131	0 ... +55
Sauerstoff	Medium	-		-		+32 ... +194	0 ... +90
	Umgebung					+32 ... +131	0 ... +55

Wirkungsweisen		
A (NC)		2/2-Wege-Ventil; in Ruhestellung geschlossen
B (NO)		2/2-Wege-Ventil; in Ruhestellung offen
C (NC)		3/2-Wege-Ventil; in Ruhestellung geschlossen, Ausgang A entlastet
D (NO)		3/2-Wege-Ventil; in Ruhestellung Ausgang B druckbeaufschlagt
E		3/2-Wege-Mischventil; in Ruhestellung Druckanschluss P2 mit Ausgang A verbunden, P1 geschlossen
F		3/2-Wege-Verteilerventil; in Ruhestellung Druckanschluss P mit Ausgang B verbunden
T		3/2-Wege-Ventil; universell einsetzbar

5.6 Elektrische Daten

Anschlüsse

DIN EN 175301-803 (DIN 43 650), Form A für
Gerätesteckdose Typ 2518 oder 2509

5.7 Typschild (Beispiel)

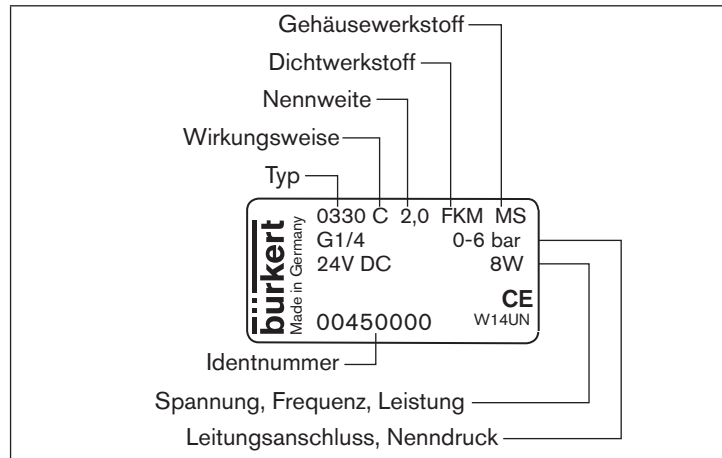


Bild 1: Beschreibung des Typschilds

6 MONTAGE



GEFAHR!

Verletzungsgefahr durch hohen Druck in Anlage/Gerät.

- ▶ Vor Arbeiten an Anlage oder Gerät den Druck abschalten und Leitungen entlüften/entleeren.

Verletzungsgefahr durch Stromschlag.

- ▶ Vor Arbeiten an Anlage oder Gerät die Spannung abschalten und gegen Wiedereinschalten sichern.
- ▶ Die geltenden Unfallverhütungs- und Sicherheitsbestimmungen für elektrische Geräte beachten.



WARNUNG!

Verletzungsgefahr bei unsachgemäßer Montage.

- ▶ Die Montage darf nur geschultes Fachpersonal mit geeignetem Werkzeug durchführen.
- ▶ Anlage gegen unbeabsichtigtes Betätigen sichern.
- ▶ Nach der Montage einen kontrollierten Wiederanlauf gewährleisten.

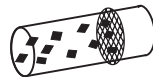
6.1 Vor dem Einbau

Einbaulage:

Die Einbaulage ist beliebig. Vorzugsweise: Antrieb oben.

→ Rohrleitungen vor dem Einbau auf Verschmutzungen überprüfen und gegebenenfalls reinigen.

Schmutzfilter: Für die sichere Funktion des Magnetventils muss vor dem Ventileingang ein Schmutzfilter ($\leq 500 \mu\text{m}$) eingebaut werden.



6.2 Einbau

→ Durchflussrichtung beachten:

Die Funktion des Geräts ist nur sichergestellt, wenn die Wirkungsweise eingehalten wird.

Gerät mit Muffenanschluss

→ Als Dichtwerkstoff PTFE-Band verwenden.

→ Maximale Einschraubtiefe der Anschlussgewinde ermitteln, da diese keiner Norm entspricht.

HINWEIS!

Vorsicht Bruchgefahr.

- ▶ Spule nicht als Hebelarm benutzen.

→ Gerät mit geeignetem Werkzeug (Gabelschlüssel) am Gehäuse festhalten, in die Rohrleitung einschrauben.

Befestigung des Geräts:

→ Über Bohrungen M4 x 8 (Messing- oder Edelstahlausführung) oder selbstschneidende Schrauben 3,9 DIN 7970 (Kunststoffausführung, max. Einschraubtiefe 10 mm) an Gehäuseunterseite am Lochbild 38 x 24.

Geräte in Flanschausführung

Befestigung des Geräts:

- Über mitgelieferte Schrauben auf Grundgeräte oder Anschlussplatte.
- Befestigungsschrauben an der Spule mit maximal 2 Nm anziehen.

6.3 Handbetätigung

HINWEIS!

- ▶ Bei arretierter Handbetätigung kann das Ventil nicht elektrisch betätigt werden.

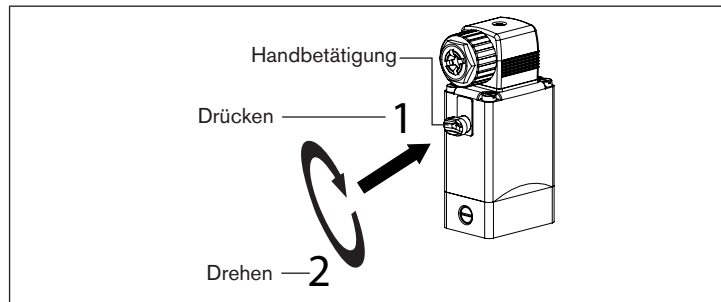


Bild 2: Handbetätigung

7 ELEKTRISCHER ANSCHLUSS



GEFAHR!

Verletzungsgefahr durch Stromschlag.

- ▶ Vor Arbeiten an Anlage oder Gerät die Spannung abschalten und gegen Wiedereinschalten sichern.
- ▶ Die geltenden Unfallverhütungs- und Sicherheitsbestimmungen für elektrische Geräte beachten.

Bei nicht angeschlossenem Schutzleiter besteht Stromschlaggefahr.

- ▶ Schutzleiter immer anschließen und elektrischen Durchgang zwischen Spule und Gehäuse prüfen.

Zugelassene Gerätesteckdose
z. B. Typ 2518 oder andere
geeignete Gerätesteckdose nach
DIN EN 175301-803 Form A



Bild 3: Elektrischer Anschluss der Gerätesteckdose



Spannung und Stromart laut Typschild beachten.

7.1 Standardgerät

- L1/+ bzw. N/- an Klemmen 1 und 2 unabhängig von der Polung anschließen.
- Schutzleiter anschließen.
- Dichtung aufstecken und korrekten Sitz prüfen.
- Gerätesteckdose (Typ 2518 oder 2509 nach DIN EN 175301-803 (DIN 43 650), Form A, Bestellnummern siehe Datenblatt) festschrauben, dabei maximales Drehmoment 1 Nm beachten.
- Elektrischen Durchgang zwischen Spule und Gehäuse prüfen (Funktion Schutzleiter).

7.2 Impulsvariante (CF 02)



Die Klemmen in der Gerätesteckdose sind entsprechend den Klemmen am Ventil mit den Ziffern 1 bis 3 gekennzeichnet.

- Wie in „Bild 4“ anschließen. Impuls auf Klemme 1 schließt das Ventil, Impuls auf Klemme 2 öffnet das Ventil.
- Dichtung aufstecken und korrekten Sitz prüfen.
- Gerätesteckdose (Typ 2518 oder 2509 nach DIN EN 175301-803 (DIN 43 650), Form A, Bestellnummern siehe Datenblatt) festschrauben, dabei maximales Drehmoment 1 Nm beachten.

→ Elektrischen Durchgang zwischen Spule und Gehäuse prüfen (Funktion Schutzleiter).

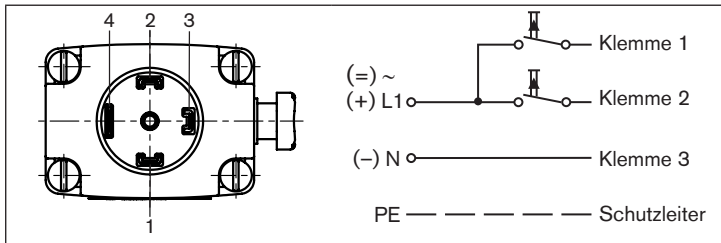


Bild 4: Elektrischer Anschluss Impulsvariante (CF 02)

HINWEIS!

- ▶ Gleichzeitige Impulsgabe auf beide Spulenwicklungen vermeiden.
- ▶ Parallel zu den Klemmen dürfen keine weiteren Verbraucher (Relais und dergl.) geschaltet werden.
- ▶ Der jeweils nicht spannungsbeaufschlagte Spulenanschluss muss galvanisch getrennt (offen) sein.
- ▶ Sollten zwei oder mehr Ventile parallel geschaltet werden, ist durch Verwendung von 2- oder mehrpoligen Schaltern sicherzustellen, dass diese Forderung erfüllt ist.

7.3 Kick-and-Drop-Elektronikvariante (Spule ACP016)

Informationen zur Spule ACP016 finden Sie in der entsprechenden Bedienungsanleitung unter www.buerkert.de



GEFAHR

Bei Magnetspulen mit Klemmenanschlusskasten zusätzlich beachten:

- ▶ Nur fest verlegte Kabel und Leitungen einführen.
- ▶ Geeignete Kabel und Leitungseinführung verwenden. Angaben in der Bedienungsanleitung Typ ACP016 beachten.
- ▶ Im Klemmenanschlusskasten nur Adern mit Bemessungsanschluss zwischen 0,5 mm² und 2,5 mm² anschließen.
- ▶ Klemmschrauben mit 0,25 Nm anziehen.
- ▶ Gehäusedeckel ordnungsgemäß verschließen. Verschlusschraube mit 2 Nm anziehen.
- ▶ Durchgängigkeit der Schutzleiterverbindung prüfen.
- ▶ Gehäusedeckel nur im spannungsfreien Zustand öffnen.
- ▶ Maximal 2 Leiter pro Klemme anschließen.

7.3.1 Magnetspulen mit Kabelabgang



Das Anschlusskabel ist mit der Magnetspule Typ ACP016 vergossen und kann nicht demontiert werden.
Die angegebene Spannung laut Typschild beachten.

Aderbelegung:

Aderfarbe	Anschlussbelegung
grün-gelb	Schutzleiter
schwarz	Phase / Pluspol (+)
schwarz	Neutralleiter / Minuspol (-)

7.3.2 Magnetspulen mit Klemmenanschlusskasten

	Position	Anschlussbelegung
		Schutzleiter
		Neutralleiter / Minuspol (-)
		Phase / Pluspol (+)

Bild 5: Klemmenanschlusskasten

8 DEMONTAGE



GEFAHR!

Verletzungsgefahr durch hohen Druck in Anlage/Gerät.

- ▶ Vor Arbeiten an Anlage oder Gerät den Druck abschalten und Leitungen entlüften/entleeren.

Verletzungsgefahr durch Stromschlag.

- ▶ Vor Arbeiten an Anlage oder Gerät die Spannung abschalten und gegen Wiedereinschalten sichern.
- ▶ Die geltenden Unfallverhütungs- und Sicherheitsbestimmungen für elektrische Geräte beachten.



WARNUNG!

Verletzungsgefahr bei unsachgemäßer Demontage.

- ▶ Die Demontage darf nur geschultes Fachpersonal mit geeignetem Werkzeug durchführen.

Verletzungsgefahr durch gefährliche Medien.

- ▶ Vor dem Lösen von Leitungen oder Ventilen gefährliche Medien ausspülen, die Leitungen druckfrei schalten und entleeren.

9 WARTUNG, FEHLERBEHEBUNG



GEFAHR!

Verletzungsgefahr durch hohen Druck in der Anlage.

- ▶ Vor dem Lösen von Leitungen oder Ventilen den Druck abschalten und Leitungen entlüften.

Verletzungsgefahr durch Stromschlag.

- ▶ Vor Arbeiten an Anlage oder Gerät die Spannung abschalten und gegen Wiedereinschalten sichern.
- ▶ Die geltenden Unfallverhütungs- und Sicherheitsbestimmungen für elektrische Geräte beachten.



WARNUNG!

Verletzungsgefahr bei unsachgemäßen Wartungsarbeiten.

- ▶ Die Wartung darf nur geschultes Fachpersonal mit geeignetem Werkzeug durchführen.
- ▶ Anlage gegen unbeabsichtigtes Betätigen sichern.
- ▶ Nach der Wartung einen kontrollierten Wiederanlauf gewährleisten.

9.1 Störungen

Überprüfen Sie bei Störungen ob

- das Gerät vorschriftsmäßig installiert ist,
- elektrischer / fluidischer Anschluss ordnungsgemäß ausgeführt ist,
- das Gerät nicht beschädigt ist,
- alle Schrauben fest angezogen sind,
- Spannung und Druck anliegen,
- die Rohrleitungen schmutzfrei sind.

Störung	Mögliche Ursache
Ventil schaltet nicht	Kurzschluss oder Spulenunterbrechung
	Mediumsdruck außerhalb des zulässigen Druckbereichs
	Handbetätigung arretiert
Ventil schließt nicht	Innenraum des Ventils verschmutzt
	Handbetätigung arretiert

9.1.1 Reparatur

Reparaturen grundsätzlich vom Hersteller vornehmen lassen. Die Betriebsdaten können sich ändern, wenn Ersatzteile vom Anwender ausgetauscht werden.

10 TRANSPORT, LAGERUNG, ENTSORGUNG

HINWEIS!

Transportschäden.

Unzureichend geschützte Geräte können durch den Transport beschädigt werden.

- ▶ Gerät vor Nässe und Schmutz geschützt in einer stoßfesten Verpackung transportieren.
- ▶ Eine Über- bzw. Unterschreitung der zulässigen Lagertemperatur vermeiden.

Falsche Lagerung kann Schäden am Gerät verursachen.

- ▶ Gerät trocken und staubfrei lagern.
- ▶ Lagertemperatur $-40 \dots +80 \text{ }^{\circ}\text{C}$.

Umweltschäden durch von Medien kontaminierte Teile.

- ▶ Gerät und Verpackung umweltgerecht entsorgen.
- ▶ Geltende Entsorgungsvorschriften und Umweltbestimmungen einhalten.

Table des matières

1	Manuel d'utilisation.....	30
2	Utilisation conforme	31
3	Consignes de sécurité fondamentales	31
4	Description du système.....	33
5	Caractéristiques techniques.....	33
6	Montage.....	37
7	Raccordement électrique.....	39
8	Démontage.....	41
9	Maintenance, dépannage.....	42
10	Transport, stockage, élimination	43

1 MANUEL D'UTILISATION

Le manuel d'utilisation contient des informations importantes.

- ▶ Lire attentivement le manuel d'utilisation et tenir compte des consignes de sécurité.
- ▶ Conserver le manuel d'utilisation afin qu'il soit accessible à tous les utilisateurs.

La responsabilité et la garantie légale concernant l'appareil sont exclues en cas de non-respect du manuel d'utilisation.

1.1 Symboles

- ▶ identifie une consigne pour éviter un danger.
- Identifie une opération que vous devez effectuer.



DANGER !

Danger imminent ! Blessures graves ou mortelles.



AVERTISSEMENT !

Danger potentiel ! Blessures graves ou mortelles.



ATTENTION !

Danger ! Blessures légères ou de moyenne gravité.

REMARQUE !

Met en garde contre des dommages matériels.



Conseils et recommandations importants.



renvoie à des informations dans ce manuel d'utilisation ou dans d'autres documentations.

1.2 Définition des termes

Le terme « appareil » utilisé dans ces instructions désigne toujours le type 0121, 0330, 0331, (0124, 0125, 0332, 0333).

2 UTILISATION CONFORME

L'appareil est conçu pour commander, arrêter et doser des fluides neutres et agressifs jusqu'à une viscosité de 37 mm²/s.

- ▶ Lors de l'utilisation, il convient de respecter les données et conditions d'utilisation et d'exploitation admissibles spécifiées dans le manuel d'utilisation et dans les documents contractuels.
- ▶ Avec un connecteur, par ex. le type 2518 de Bürkert, connecté et monté de manière conforme, l'appareil est conforme au degré de protection IP65 selon DIN EN 60529 / IEC 60529.

Faire fonctionner l'appareil

- ▶ uniquement en parfait état et veiller au stockage, au transport, à l'installation et à l'utilisation conformes.
- ▶ uniquement de manière conforme.

2.1 Limitations

Lors de l'exportation de l'appareil, veuillez respecter les limitations éventuelles.

3 CONSIGNES DE SÉCURITÉ FONDAMENTALES

Ces consignes de sécurité ne tiennent pas compte des hasards et des événements pouvant survenir lors du montage, de l'exploitation et de l'entretien.



Risque de blessures dû à la présence de haute pression dans l'installation/l'appareil.

- ▶ Avant d'intervenir dans l'installation ou l'appareil, couper la pression et désaérer/vider les conduites.

Risque de choc électrique.

- ▶ Avant d'intervenir dans l'installation ou l'appareil, couper la tension et empêcher toute remise sous tension par inadvertance.
- ▶ Veuillez respecter les réglementations en vigueur pour les appareils électriques en matière de prévention des accidents ainsi qu'en matière de sécurité.

Risque de brûlures/d'incendie lors d'une durée de fonctionnement prolongée dû à la surface brûlante de l'appareil.

Tenir les substances et les fluides facilement inflammables à l'écart de l'appareil et ne touchez pas ce dernier à mains nues.

Risque de blessure dû à une panne pour les vannes avec tension alternative (AC).

Un noyau bloqué provoque la surchauffe de la bobine et donc une panne.

- ▶ Surveiller le bon fonctionnement du processus de travail.

Risque de court-circuit/de sortie du fluide en présence de visages non étanches.

- ▶ Veiller à l'installation correcte des joints.
- ▶ Visser soigneusement la vanne et les tuyaux.

Situations dangereuses d'ordre général.

Pour prévenir les blessures, respectez ce qui suit :

- ▶ Dans une zone exposée à un risque d'explosion, l'appareil doit impérativement être installé conformément à la spécification indiquée sur la plaque signalétique. Les instructions supplémentaires comportant des consignes de sécurité pour zone présentant des risques d'explosion, fournies avec l'appareil, doivent être respectées lors de l'utilisation de celui-ci.
- ▶ En zone UL, les instructions UL fournies avec l'appareil, doivent être respectées.
- ▶ Ne pas soumettre l'appareil à des modifications extérieures ou intérieures ni à des contraintes mécaniques (par ex. en déposant des objets sur le corps ou en l'utilisant comme marche).
- ▶ Empêcher tout actionnement involontaire.
- ▶ Seul du personnel qualifié peut effectuer l'installation et la maintenance.
- ▶ Les vannes doivent être installées conformément à la réglementation en vigueur dans le pays respectif.
- ▶ Garantir un redémarrage contrôlé du processus après une coupure de l'alimentation électrique.
- ▶ Respecter les règles générales de la technique.

4 DESCRIPTION DU SYSTÈME

Les électrovannes à armature battante sont des électrovannes 2/2 ou 3/2 voies à action directe disponibles dans de nombreuses variantes d'exécution et de fonctionnement. Le système magnétique et l'espace réservé au fluide sont séparés l'un de l'autre par un système de séparation à membrane. Les vannes sont à commutation rapide et ont une longue durée de vie.

Type 0121	électrovanne 2/2 ou 3/2 voies, raccord manchon
Type 0330	électrovanne 2/2 ou 3/2 voies, raccord manchon
Type 0331	électrovanne 2/2 ou 3/2 voies, raccord à bride
Type 0332	électrovanne bistable 2/2 ou 3/2 voies avec 2 bobinages, raccord manchon
Type 0333	électrovanne bistable 2/2 ou 3/2 voies avec 2 bobinages, corps de à bride
Type 0124	électrovanne 2/2 ou 3/2 voies, raccord manchon
Type 0125	électrovanne 2/2 ou 3/2 voies, raccord à bride

5 CARACTÉRISTIQUES TECHNIQUES



Les valeurs suivantes sont indiquées sur la plaque signalétique :

- **Tension** (tolérance $\pm 10\%$) / **type de courant**
- **Puissance de bobine** (puissance active en W - à l'état chaud)
- **Plage de pression**
- **Matériau du corps** (MS=laiton, VA=acier inox, PV=PVC, TE=PTFE, PP=Polypropylène, PD=PVDF)
- **Matériau du joint** (F=FKM, A=EPDM, B=NBR, C=FFKM)

5.1 Conformité

Les types 0121, 0330, 0331, (0124, 0125, 0332, 0333) sont conformes aux directives UE conformément à la déclaration de conformité UE (si applicable).

5.2 Normes

Les normes utilisées, avec lesquelles la conformité avec les directives UE sont prouvées, figurent dans l'attestation UE de type et/ou la déclaration de conformité UE (si applicable).

5.3 Conditions d'exploitation

Température ambiante

Type 0121

max. +50 °C

autres types

max. +55 °C

Facteur de marche

pour matériau du corps

laiton ou acier inox

marche continu 100% ED

plastique

facteur de marche max. autorisée voir
fiche technique



Remarque importante pour la sécurité de fonctionnement.

Dans le cas d'un arrêt de longue durée, il est recommandé de procéder à 1 - 2 commutations minimum avant le redémarrage.

Durée de vie

Une fréquence élevée de commutation ainsi que des pressions élevées réduisent la durée de vie.

Degré de protection

IP65 selon DIN EN 60529 / IEC 60529 avec un connecteur connecté et monté de manière conforme, par ex. le type 2518 de Bürkert

5.4 Caractéristiques mécaniques

Dimensions

voir fiche technique

Matériau de la bobine Résine époxy

Raccords

G 1/4

(NPT 1/4, G 1/8, G 3/8, Rc 1/4 sur demande)

5.5 Données fluidiques

Fluides

fluides liquides et gazeux, agressifs, neutres n'attaquant ni le corps ni le matériau du joint (voir le tableau de résistance chimique Bürkert www.burkert.fr).

Température du fluide pour le matériau du joint

FKM 0 °C à +90 °C

EPDM -30 °C à +90 °C

NBR 0 °C à +80 °C

FFKM +5 °C à +90 °C

Pour les vannes homologuées UL, les valeurs suivantes doivent être respectées :

Fluide	Température	NBR [°F]	NBR [°C]	EPDM [°F]	EPDM [°C]	FKM [°F]	FKM [°C]
Air	du fluide ambiante	+32 à +176	0 à +80	-22 à +194	-30 à +90	+32 à +194	0 à +90
		+32 à +131	0 à +55	+14 à +131	-10 à +55	+32 à +131	0 à +55
Eau	du fluide ambiante	+41 à +176	+5 à +80	+41 à +194	+5 à +90	+41 à +194	+5 à +90
		+32 à +131	0 à +55	+14 à +131	-10 à +55	+32 à +131	0 à +55
Gaz inerte	du fluide ambiante	+32 à +176	0 à +80	-22 à +194	-30 à +90	+32 à +194	0 à +90
		+32 à +131	0 à +55	+14 à +131	-10 à +55	+32 à +131	0 à +55
Huile	du fluide ambiante	-		-		+32 à +194	0 à +90
						+32 à +131	0 à +55
Gaz de pétrole liquéfié	du fluide ambiante	-		-		+32 à +194	0 à +90
						+32 à +131	0 à +55
Oxygène	du fluide ambiante	-		-		+32 à +194	0 à +90
						+32 à +131	0 à +55

Fonctions		
A (NF)		Vanne 2/2 voies ; fermée en position de repos
B (NO)		Vanne 2/2 voies ; ouverte en position de repos
C (NF)		Vanne 3/2 voies ; fermée en position de repos, sortie A déchargée
D (NO)		Vanne 3/2 voies ; en position de repos pression appliquée sur sortie B
E		Vanne mélangeuse 3/2 voies ; pression appliquée en position de repos, P2 reliée à la sortie A, P1 fermée
F		Distributeur 3/2 voies ; pression appliquée en position de repos, P reliée à la sortie B
T		Vanne à 3/2 voies ; utilisation universelle

5.6 Caractéristiques électriques

Connexions

DIN EN 175301-803 (DIN 43 650), forme A
pour le connecteur type 2518 ou 2509

5.7 Plaque signalétique (exemple)

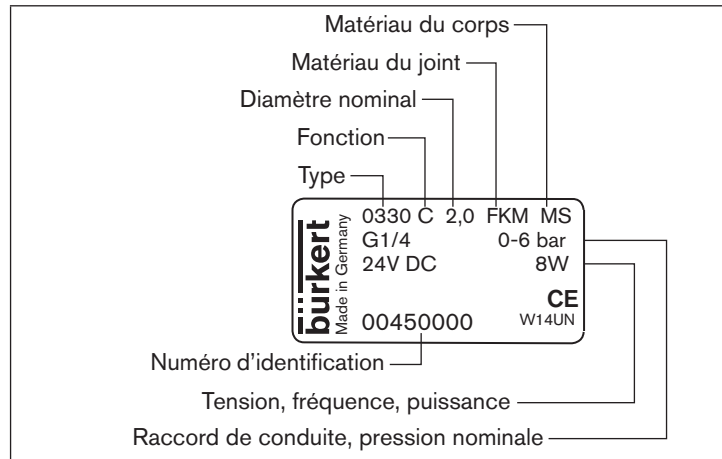


Fig. 1 : Description de la plaque signalétique

6 MONTAGE



DANGER !

Risque de blessures dû à la présence de haute pression dans l'installation/l'appareil.

- ▶ Avant d'intervenir dans l'installation ou l'appareil, couper la pression et désaérer/vider les conduites.

Risque de choc électrique.

- ▶ Avant d'intervenir dans l'installation ou l'appareil, couper la tension et empêcher toute remise sous tension par inadvertance.
- ▶ Veuillez respecter les réglementations en vigueur pour les appareils électriques en matière de prévention des accidents ainsi qu'en matière de sécurité.



AVERTISSEMENT !

Risque de blessures dû à un montage non conforme.

- ▶ Le montage doit être effectué uniquement par un personnel qualifié et habilité disposant de l'outillage approprié.
- ▶ Empêcher tout actionnement involontaire de l'appareil.
- ▶ Garantir un redémarrage contrôlé après le montage.

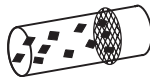
6.1 Avant le montage

Position de montage :

Position de montage indifférente. De préférence : avec actionneur en haut.

- Préalablement au montage, vérifier si les tuyaux ne présentent pas de salissures et les nettoyer le cas échéant.

Filtre à impuretés : Pour un fonctionnement fiable de l'électrovanne, il convient de monter un filtre à impuretés avant l'entrée de la vanne ($\leq 500 \mu\text{m}$).



6.2 Montage

- Respecter le sens du débit : la fonction de l'appareil n'est assurée que si la fonction est respecté.

Appareils avec raccord manchon

- Utilisez une bande PTFE comme matériau du joint.
- Calculer la profondeur de vissage maximale du filetage de raccordement car celui-ci n'est pas normé.

REMARQUE !

Attention risque de rupture.

- ▶ La bobine ne doit pas être utilisée comme levier.

→ Maintenez l'appareil sur le corps à l'aide d'un outil approprié (clé à fourche) et vissez-le dans la tuyauterie.

Fixation de l'appareil :

→ A l'aide de perçages M4 x 8 (exécution en laiton ou en acier inox) ou à l'aide de vis autotaraudeuses 3,9 DIN 7970 (version en plastique, profondeur de vissage max. 10 mm) sur la face inférieure du corps au gabarit de trou 38 x 24.

Appareils avec raccord à bride

Fixation de l'appareil :

- A l'aide des vis fournies sur l'appareil initial ou sur l'embase.
- Serrer les vis de fixation sur la bobine à 2 Nm maximum.

6.3 Commande manuelle

REMARQUE !

- ▶ Lorsque la commande manuelle est enclenchée, la vanne ne peut pas être actionnée électriquement.

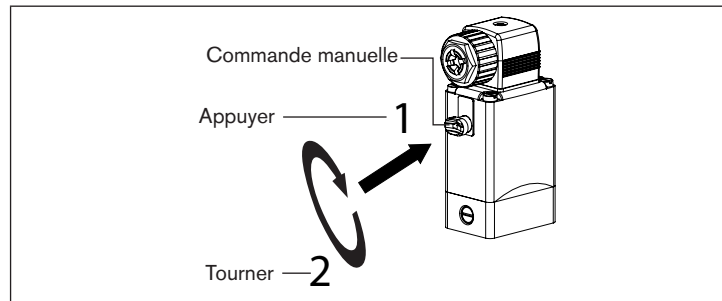


Fig. 2 : Commande manuelle

7 RACCORDEMENT ÉLECTRIQUE



DANGER !

Risque de choc électrique.

- ▶ Avant d'intervenir dans l'installation ou l'appareil, couper la tension et empêcher toute remise sous tension par inadvertance.
- ▶ Veuillez respecter les réglementations en vigueur pour les appareils électriques en matière de prévention des accidents ainsi qu'en matière de sécurité.

Risque de choc électrique lorsque le conducteur de protection n'est pas raccordé.

- ▶ Raccorder toujours le conducteur de protection et vérifier le passage électrique entre la bobine et le corps.

Connecteurs autorisés par ex.
type 2518 ou autres connecteurs
adéquats selon DIN ISO
175301-803 forme A

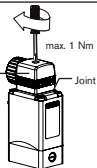


Fig. 3 : Raccordement électrique du connecteur



Respecter la tension et le type de courant selon la plaque signalétique.

7.1 Appareil standard

- Connecter L1/+ et/ou N/- aux bornes 1 et 2 indépendamment de la polarité.
- Raccorder le conducteur de protection.
- Placer le joint et contrôler sa position correcte.
- Visser à fond le connecteur (type 2518 ou 2509 suivant DIN EN 175301-803 (DIN 43 650), forme A, références voir fiche technique), respecter le couple de serrage maximum de 1 Nm.
- Contrôler le passage du courant entre la bobine et le corps (fonction du conducteur de protection).

7.2 Variante à impulsions (CF 02)



Les bornes de raccordement dans le connecteur sont identifiées à l'aide des chiffres 1 à 3 suivant les bornes de la vanne.

- Raccorder comme indiqué sur « Fig. 4 ». L'impulsion sur la borne 1 ferme la vanne, l'impulsion sur la borne 2 ouvre la vanne.
- Placer le joint et contrôler sa position correcte.
- Visser à fond le connecteur (type 2518 ou 2509 suivant DIN EN 175301-803 (DIN 43 650), forme A, références voir fiche technique), respecter le couple de serrage maximum de 1 Nm.

→ Contrôler le passage du courant entre la bobine et le corps (fonction du conducteur de protection).

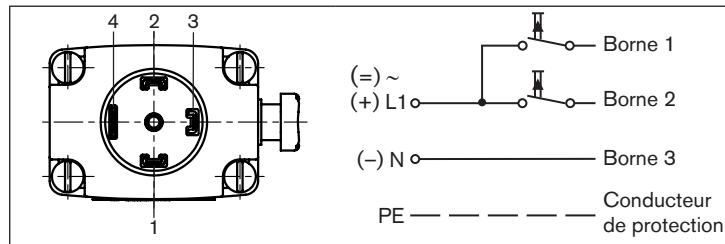


Fig. 4 : Raccordement électrique - variante à impulsions (CF 02)

REMARQUE !

- ▶ Éviter l'émission simultanée d'impulsion sur les deux bobines.
- ▶ Aucun autre consommateur (relais et autres) ne doit être commuté parallèlement aux bornes.
- ▶ La connexion de la bobine, qui n'est pas alimentée en pression, doit être isolée électriquement (ouverte).
- ▶ Si deux vannes ou plus doivent être commutées parallèlement, s'assurer par l'utilisation de commutateurs à 2 ou plusieurs pôles que cette obligation est remplie.

7.3 Variante kick-and-drop électronique (bobine magnétique type ACP016)

Vous trouverez des informations sur la bobine ACP016 dans le manuel d'utilisation sur Internet sous : www.burkert.fr



DANGER !

Sur les bobines magnétiques avec coffret à bornes, veiller en outre à :

- ▶ Introduire uniquement des câbles et des circuits fixés.
- ▶ Utiliser des câbles et des passe-câble appropriés. Respecter les consignes du manuel d'utilisation type ACP016.
- ▶ Dans le coffret à bornes, raccorder uniquement des conducteurs avec une connexion de référence située entre 0,5 mm² et 2,5 mm².
- ▶ Serrer les vis des bornes à 0,25 Nm.
- ▶ Fermer correctement le couvercle du boîtier. Serrer le bouchon fileté 2 Nm.
- ▶ Tester la connexion des conducteurs de protection.
- ▶ Ouvrir le couvercle du boîtier uniquement lorsque la bobine est hors tension
- ▶ Raccorder 2 conducteurs maximum par borne.

7.3.1 Bobines magnétiques avec départ de câble



Le câble de raccordement est moulé avec la bobine magnétique type ACP016 et ne peut pas être démonté.

Respecter la tension indiquée sur la plaque signalétique.

Affectation des fils :

Couleur de fil	Affectation du raccordement
vert-jaune	Conducteur de protection
noir	Phase / pôle positif (+)
noir	Conducteur neutre / pôle négatif (-)

7.3.2 Bobine magnétique avec coffret à bornes

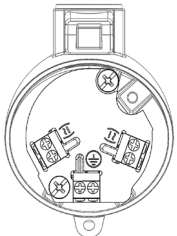

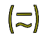

	Position	Affectation du raccordement
		Conducteur de protection
		Conducteur neutre / pôle négatif (-)
		Phase / pôle positif (+)

Fig. 5 : Coffret à bornes

8 DÉMONTAGE



DANGER !

Risque de blessures dû à la présence de haute pression dans l'installation/l'appareil.

- ▶ Avant d'intervenir dans l'installation ou l'appareil, couper la pression et désaérer/vider les conduites.

Risque de choc électrique.

- ▶ Avant d'intervenir dans l'installation ou l'appareil, couper la tension et empêcher toute remise sous tension par inadvertance.
- ▶ Veuillez respecter les réglementations en vigueur pour les appareils électriques en matière de prévention des accidents ainsi qu'en matière de sécurité.



AVERTISSEMENT !

Risque de blessures dû à un démontage non conforme.

- ▶ Le démontage doit être effectué uniquement par un personnel qualifié et habilité disposant de l'outillage approprié.

Risque de blessures dû à des fluides dangereux.

- ▶ Avant de desserrer les conduites et les vannes, rincer les fluides dangereux, couper la pression et purger les conduites.

9 MAINTENANCE, DÉPANNAGE

9.1 Consignes de sécurité



DANGER !

Risque de blessures dû à la présence de haute pression dans l'installation.

- ▶ Avant de desserrer les conduites ou les vannes, couper la pression et purger l'air des conduites.

Risque de choc électrique.

- ▶ Avant d'intervenir dans l'installation ou l'appareil, couper la tension et empêcher toute remise sous tension par inadvertance.
- ▶ Veuillez respecter les réglementations en vigueur pour les appareils électriques en matière de prévention des accidents ainsi qu'en matière de sécurité.



AVERTISSEMENT !

Risque de blessures dû à des travaux d'entretien non conformes.

- ▶ L'entretien doit être effectué uniquement par un personnel qualifié et habilité disposant de l'outillage approprié.
- ▶ Empêcher tout actionnement involontaire de l'appareil.
- ▶ Garantir un redémarrage contrôlé après l'entretien.

9.2 Pannes

En présence de pannes, vérifiez

- que l'appareil est installé dans les règles,
- que le raccord électrique et fluide est correct,
- que l'appareil n'est pas endommagé,
- que toutes les vis sont bien serrées,
- que la tension et la pression sont disponibles,
- que les tuyauteries sont propres.

Panne	Cause possible
La vanne ne s'enclenche pas	Court-circuit ou coupure de la bobine
	Pression du fluide hors de la plage de pression autorisée
	Actionnement commande manuelle
La vanne ne se ferme pas	Intérieur de la vanne encrassé
	Actionnement commande manuelle

9.2.1 Réparation

Les réparations sur l'appareil doivent être effectuées uniquement par le fabricant. Les données de service peuvent changer lorsque l'utilisateur remplace des pièces de rechange.

10 TRANSPORT, STOCKAGE, ÉLIMINATION

REMARQUE !

Dommmages dus au transport.

Les appareils insuffisamment protégés peuvent être endommagés pendant le transport.

- ▶ Transporter l'appareil à l'abri de l'humidité et des impuretés et dans un emballage résistant aux chocs.
- ▶ Veiller à ce que la température de stockage ne se situe ni au-dessus ni en dessous de la température de stockage admissible.

Un mauvais stockage peut endommager l'appareil.

- ▶ Stocker l'appareil au sec et à l'abri des poussières.
- ▶ Température de stockage de -40 à +80 °C.

Dommmages sur l'environnement causés par des pièces d'appareil contaminées par des fluides.

- ▶ Éliminer l'appareil et l'emballage dans le respect de l'environnement.
- ▶ Respecter les prescriptions en matière d'élimination des déchets et de protection de l'environnement en vigueur.

Bürkert Fluid Control Systems
Sales Center
Christian-Bürkert-Str. 13-17
D-74653 Ingelfingen
Tel. + 49 (0) 7940 - 10 91 111
Fax + 49 (0) 7940 - 10 91 448
E-mail: info@burkert.com

International address

www.burkert.com

Manuals and data sheets on the Internet: www.burkert.com
Bedienungsanleitungen und Datenblätter im Internet: www.buerkert.de
Manuels d'utilisation et fiches techniques sur Internet : www.buerkert.fr

© Bürkert Werke GmbH & Co. KG, 2014 - 2019
Operating Instructions 1911/06_EU-ML_00893047 / Original DE

www.burkert.com