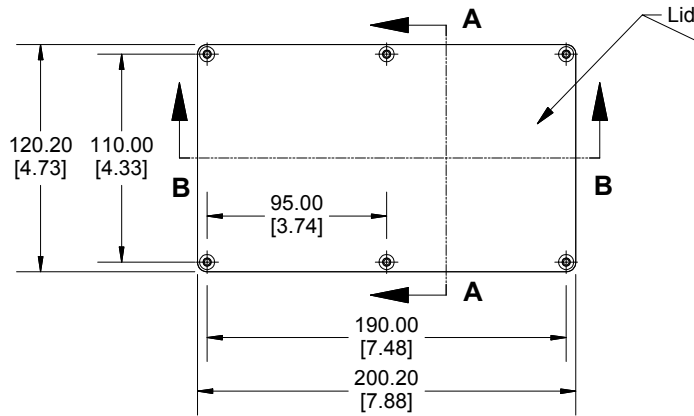
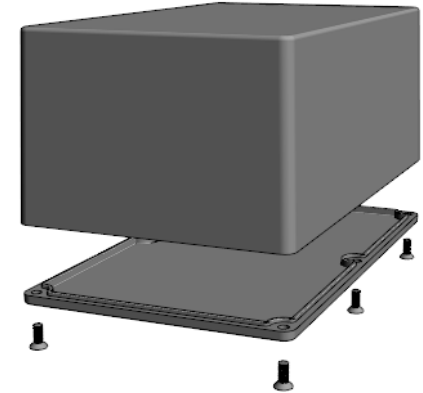
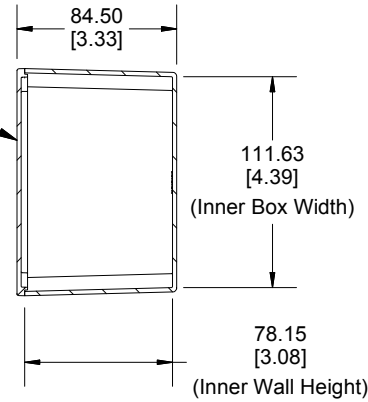


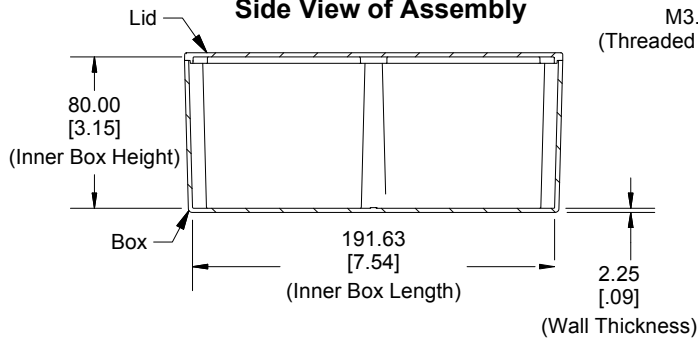
Top View of Assembly



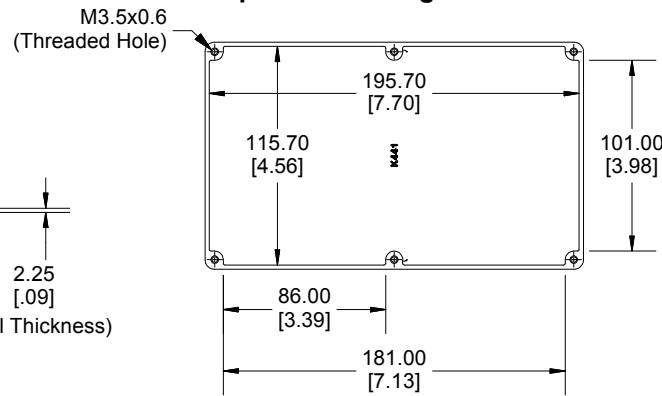
**SECTION A-A
End View of Assembly**



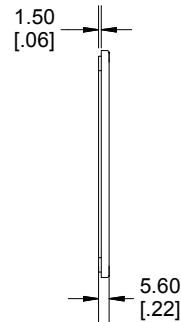
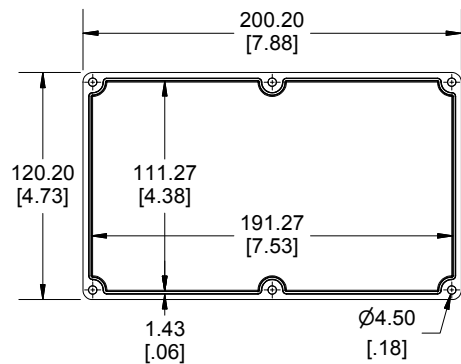
**SECTION B-B
Side View of Assembly**



Top View Looking Inside Box



Lid



Enclosures can be Factory Modified (Milling, Drilling, Printing etc.)
Contact Factory mjm@hammondmfg.com for quotes
Solid models of this enclosure available in STEP or IGES.

NOTE

Purchased assembly includes box, lid and 6 cover screws.
Box and lid are made from Diecast Aluminum Alloy.
Silicone Gasket supplied with liquid resistant enclosure.

PART NUMBERS

1590EE Enclosure

Unfinished	1590EE
Black Textured Powder Paint	1590EEBK
1590EE Liquid Resistant Enclosure (Silicone Gasket)	
Unfinished	1590WEE
Black Textured Powder Paint	1590WEEBK

ACCESSORIES

Recommended Torque: 75 ozf.in / 55 cN.m

Liquid Resistant Cover Screws

Unfinished Cover Screws (Pkg 100) [M3.5 x 12mm, With O-Ring]	1550WMS100
Black Cover Screws (Pkg 100) [M3.5 x 12mm, With O-Ring]	1550WMS100BK

Standard Cover Screws

Unfinished Cover Screws (Pkg 100) [M3.5 x 12mm]	1550MS100
Black Cover Screws (Pkg 100) [M3.5 x 12mm]	1550MS100BK

Dimensions:
mm
[inches]

**HAMMOND
MANUFACTURING™**

1590EE

www.hammondmfg.com