

Series 61

16mm 22.5mm 21 x 21mm 21 x 27mm IP65 5A 250VAC



Choose one component from each of the colored sections to assemble a complete switch. For other options or further information please contact EAO Switch directly.

Product Profile

The Series 61 is a high quality, modular switch range that includes pushbuttons, indicators, selector switches, keylock switches and Emergency-stops. Available in raised or flush mount.

Self cleaning snap-action and slow-make switching elements available.

Technical drawings see pages 67-68

- IP65 Protection
- Switch Rating, 5A, 250VAC
- Raised Mounting into 16mm cut out
- Flush Mounting into 22.5mm, 21x21mm and 21x27mm cut out
- Illumination using midget-grooved T-1³/₄ lamps or single chip LED's
- All standard lenses are transparent with translucent white diffusers and are available in different colors
- For keylock switches 135 different key codes are available

A guide to ordering parts - choice of front bezel determines front shape for flush mount versions. Accessories are optional.

| | | | | | |
|--|----------------------|-----------------------|-----------------------|--------------------|--------------------|
| Indicator | LED | Accessories | Accessories | | |
| | | | | | |
| For a complete indicator you will need to order the appropriate indicator, LED, lens and bezel (for flush mount only) | | | | | |
| Illuminated pushbutton | Contact block | LED (optional) | Accessories | Accessories | |
| | | | | | |
| For a complete illuminated pushbutton you will need to order the appropriate actuator, contact block, LED, lens and bezel (for flush mount only) | | | | | |
| Keylock switch | Contact block | Contact block | Accessories | Accessories | Accessories |
| | | | | | |
| For a complete keylock switch you will need to order the appropriate actuator, contact block and bezel (for flush mount only) | | | | | |
| Selector switch | Contact block | Contact block | LED (optional) | Accessories | Accessories |
| | | | | | |
| For a complete selector switch you will need to order the appropriate actuator, contact block, LED, lever and bezel (for flush mount only) | | | | | |

Choose one component from each of the colored sections to assemble a complete switch.
For other options or further information please contact EAO Switch directly.

| | | |
|---|---|-------------------------|
|  BLOCK |  LED | A ACCESSORIES |
|---|---|-------------------------|

| | |
|--|---|
|  Indicator |  Illuminated pushbutton |
|--|---|



Indicator bodies, raised, round, square and rectangular, black plastic, 16mm mounting

| Image | Part No. | Size |
|---|------------|-----------|
| 1 | 61-0050.02 | 24 x 24mm |
| 2 | 61-0030.02 | 18 x 24mm |
| 3 | 61-0020.02 | 18 x 18mm |
| 4 | 61-0010.02 | 18mm Ø |
| Flush mount adapter determines round, square or rectangular | | |

For complete switch also order  **A**



Universal indicator body for flush mount, black plastic

| Image | Part No. |
|---|------------|
| | 61-0000.02 |
| Flush mount adapter determines round, square or rectangular | |

For complete switch also order  **A**



Illuminated pushbutton actuator, raised, round, square and rectangular, black plastic, 16mm mounting

| Image | Part No. | Action | Size |
|-------|-----------|------------|-----------|
| 1 | 61-1150.0 | Momentary | 24 x 24mm |
| 1 | 61-1250.0 | Maintained | 24 x 24mm |
| 2 | 61-1130.0 | Momentary | 18 x 24mm |
| 2 | 61-1230.0 | Maintained | 18 x 24mm |
| 3 | 61-1120.0 | Momentary | 18 x 18mm |
| 3 | 61-1220.0 | Maintained | 18 x 18mm |
| 4 | 61-1110.0 | Momentary | 18mm Ø |
| 4 | 61-1210.0 | Maintained | 18mm Ø |

For complete switch also order  **A**

 **Illuminated pushbutton**



Universal illuminated flush mount pushbutton actuator, round, black plastic

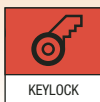
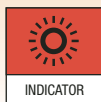
| Part No. | Action |
|---|------------|
| 61-1100.0 | Momentary |
| 61-1200.0 | Maintained |
| Flush mount adapter determines round, square or rectangular | |

For complete switch also order  **A**



Series 61

16mm 22.5mm 21 x 21mm 21 x 27mm IP65 5A 250VAC



Choose one component from each of the colored sections to assemble a complete switch.
For other options or further information please contact EAO Switch directly.

Emergency-stop switch



Emergency-stop, twist release and key release, 27mm diameter for 16mm mounting, foolproof to EN 60947-5-5 and EN 418

| Part No. | Product reference |
|--|-------------------|
| 61-3440.4/1 | Twist release |
| 61-5441.4/K | Key release |
| Must use Emergency-stop contact blocks | |

For complete switch also order **A**

Keylock switch



Universal keylock switch, actuator, 2 position for raised and flush mount

| Drawing | Part No. | Action | Key rem. |
|---|-------------|------------|----------|
| 1 | 61-2101.0/D | Momentary | A |
| 2 | 61-2201.0/D | Maintained | A |
| 2 | 61-2203.0/D | Maintained | C |
| 2 | 61-2205.0/D | Maintained | C+A |
| For flush mount order flush front bezel and front bezel adapter | | | |

For complete switch also order **A**

Keylock switch



Universal keylock switch, actuator, 3 position for raised and flush mount

| Drawing | Part No. | Action | Key rem. |
|---|-------------|-----------------------|----------|
| 3 | 61-2501.0/D | Momentary/Momentary | A |
| 4 | 61-2601.0/D | Maintained/Maintained | A |
| 4 | 61-2602.0/D | Maintained/Maintained | B |
| 4 | 61-2603.0/D | Maintained/Maintained | C |
| 4 | 61-2604.0/D | Maintained/Maintained | A+B |
| 4 | 61-2605.0/D | Maintained/Maintained | C+A |
| 4 | 61-2606.0/D | Maintained/Maintained | C+B |
| 4 | 61-2607.0/D | Maintained/Maintained | C+A+B |
| For flush mount order flush front bezel and front bezel adapter | | | |

For complete switch also order **A**



Keylock switch



Universal keylock switch, actuator, 3 position for raised and flush mount

| Drawing | Part No. | Action | Key rem. |
|---|-------------|----------------------|----------|
| 5 | 61-2701.0/D | Maintained/Momentary | A |
| 5 | 61-2703.0/D | Maintained/Momentary | C |
| 5 | 61-2705.0/D | Maintained/Momentary | C+A |
| 6 | 61-2801.0/D | Momentary/Maintained | A |
| 6 | 61-2802.0/D | Momentary/Maintained | B |
| 6 | 61-2804.0/D | Momentary/Maintained | A+B |
| For flush mount order flush front bezel and front bezel adapter | | | |

For complete switch also order **A**

Selector switch



Universal selector switch, actuator, 2 and 3 position for raised and flush mount

| Drawing | Part No. | Action |
|---|-----------|-----------------------|
| 7 | 61-4110.0 | Momentary |
| 8 | 61-4210.0 | Maintained |
| 9 | 61-4510.0 | Momentary/Momentary |
| 10 | 61-4610.0 | Maintained/Maintained |
| 11 | 61-4710.0 | Maintained/Momentary |
| 12 | 61-4810.0 | Momentary/Maintained |
| Flush mount adapter determines round, square or rectangular | | |

For complete switch also order **A**

Choose one component from each of the colored sections to assemble a complete switch.
For other options or further information please contact EAO Switch directly.



Contact block



Contact block for pushbuttons and 2 position keylock and selector switches, snap-action, QC/solder terminals

| Part No. | Contact type | Contact material |
|------------|--------------|------------------|
| 61-8410.12 | 1NO | Silver |
| 61-8410.22 | 1NO | Gold |
| 61-8420.12 | 2NO | Silver |
| 61-8420.22 | 2NO | Gold |
| 61-8470.12 | 1NO/1NC | Silver |
| 61-8470.22 | 1NO/1NC | Gold |

For complete switch also order ☉ ⚙️ Ⓜ️



Emergency-stop contact block, slow make

| Image | Part No. | Contact type | Contact material | Terminal |
|-------|------------|--------------|------------------|-----------|
| 1 | 61-8755.11 | 2NC | Silver | Screw |
| 2 | 61-8755.17 | 2NC | Silver | QC/solder |
| 1 | 61-8775.11 | 1NO/1NC | Silver | Screw |
| 2 | 61-8775.17 | 1NO/1NC | Silver | QC/solder |

For complete switch also order ☉



Contact block, 3 position keylock and selector switch, snap-action, QC/solder terminals

| Part No. | Contact type | Contact material |
|------------|--------------|------------------|
| 61-8520.12 | 2NO | Silver |
| 61-8520.22 | 2NO | Gold |

For complete switch also order ⚙️ Ⓜ️

LED



LED, T-1 $\frac{3}{4}$ MG, single chip, 12 Volt and 28 Volt. Also available in 6 Volt, 24 Volt and 48 Volt

| Color | Part No. | Voltage |
|--------|--------------|------------------|
| Red | 10-2J09.1062 | 12VAC/DC, 7/14mA |
| Yellow | 10-2J09.1064 | 12VAC/DC, 7/14mA |
| Green | 10-2J09.1065 | 12VAC/DC, 4/7mA |
| Blue | 10-2J09.1066 | 12VAC/DC, 7/14mA |
| White | 10-2J09.1069 | 12VAC/DC, 7/14mA |
| Red | 10-2J13.1062 | 28VAC/DC, 7/14mA |
| Yellow | 10-2J13.1064 | 28VAC/DC, 7/14mA |
| Green | 10-2J13.1065 | 28VAC/DC, 4/7mA |
| Blue | 10-2J13.1066 | 28VAC/DC, 7/14mA |
| White | 10-2J13.1069 | 28VAC/DC, 7/14mA |

A Accessories



Lens, transparent with white diffuser, plastic for raised, rectangular indicator and pushbutton actuators

| Color | Part No. | Size |
|--------|-----------|-----------|
| Red | 61-9331.2 | 18 x 24mm |
| Yellow | 61-9331.4 | 18 x 24mm |
| Green | 61-9331.5 | 18 x 24mm |
| Blue | 61-9331.6 | 18 x 24mm |
| Clear | 61-9331.7 | 18 x 24mm |

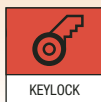
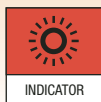


Lens, transparent with white diffuser, plastic for raised, square indicator and pushbutton actuators

| Color | Part No. | Size |
|--------|-----------|-----------|
| Red | 61-9351.2 | 24 x 24mm |
| Yellow | 61-9351.4 | 24 x 24mm |
| Green | 61-9351.5 | 24 x 24mm |
| Blue | 61-9351.6 | 24 x 24mm |
| Clear | 61-9351.7 | 24 x 24mm |

Series 61

16mm 22.5mm 21 x 21mm 21 x 27mm IP65 5A 250VAC



Choose one component from each of the colored sections to assemble a complete switch.
For other options or further information please contact EAO Switch directly.

A Accessories



Lens, transparent with white diffuser, plastic for raised, square indicator and pushbutton actuators

| Color | Part No. | Size |
|--------|-----------|-----------|
| Red | 61-9321.2 | 18 x 18mm |
| Yellow | 61-9321.4 | 18 x 18mm |
| Green | 61-9321.5 | 18 x 18mm |
| Blue | 61-9321.6 | 18 x 18mm |
| Clear | 61-9321.7 | 18 x 18mm |



Lens, transparent with white diffuser, plastic for raised, round indicator and pushbutton actuators

| Color | Part No. | Size |
|--------|-----------|--------|
| Red | 61-9311.2 | 18mm Ø |
| Yellow | 61-9311.4 | 18mm Ø |
| Green | 61-9311.5 | 18mm Ø |
| Blue | 61-9311.6 | 18mm Ø |
| Clear | 61-9311.7 | 18mm Ø |



Lens, transparent with white diffuser, plastic for flush mount, rectangular indicator and pushbutton actuators

| Color | Part No. | Size |
|--------|-----------|-----------|
| Red | 61-9681.2 | 24 x 30mm |
| Yellow | 61-9681.4 | 24 x 30mm |
| Green | 61-9681.5 | 24 x 30mm |
| Blue | 61-9681.6 | 24 x 30mm |
| Clear | 61-9681.7 | 24 x 30mm |

A Accessories



Lens, transparent with white diffuser, plastic for flush mount, round indicator and pushbutton actuators

| Color | Part No. | Size |
|--------|-----------|--------|
| Red | 61-9642.2 | 25mm Ø |
| Yellow | 61-9642.4 | 25mm Ø |
| Green | 61-9642.5 | 25mm Ø |
| Blue | 61-9642.6 | 25mm Ø |
| Clear | 61-9642.7 | 25mm Ø |



Lens, transparent with white diffuser, plastic for flush mount, square indicator and pushbutton actuators

| Color | Part No. | Size |
|--------|-----------|-----------|
| Red | 61-9671.2 | 24 x 24mm |
| Yellow | 61-9671.4 | 24 x 24mm |
| Green | 61-9671.5 | 24 x 24mm |
| Blue | 61-9671.6 | 24 x 24mm |
| Clear | 61-9671.7 | 24 x 24mm |



Lever for selector switch, raised and flush mount, colored lever bar options available as indicated

| Color | Part No., Raised | Part No., Flush mount | Window |
|--------|------------------|-----------------------|-------------|
| Red | 52-928.20 | 61-9028.20 | Transparent |
| Yellow | 52-928.40 | 61-9028.40 | Transparent |
| Green | 52-928.50 | 61-9028.50 | Transparent |
| Blue | 52-928.60 | 61-9028.60 | Transparent |
| White | 52-928.9 | 61-9028.9 | Opaque |
| Black | 52-928.0 | 61-9028.0 | Opaque |

Choose one component from each of the colored sections to assemble a complete switch.
For other options or further information please contact EAO Switch directly.



A Accessories



Keylock switch front bezel, raised black plastic

| Image | Part No. | Size |
|-------|-----------|-----------|
| 1 | 61-9250.0 | 24 x 24mm |
| 2 | 61-9130.0 | 18 x 24mm |
| 3 | 61-9120.0 | 18 x 18mm |
| 4 | 61-9110.0 | 18mm Ø |



Flush front bezel for keylocks, black plastic

| Image | Part No. | Size |
|-------|-----------|-----------|
| 1 | 61-9230.0 | 18 x 24mm |
| 2 | 61-9220.0 | 18 x 18mm |
| 3 | 61-9210.0 | 18mm Ø |
| 4 | 61-9250.0 | 24 x 24mm |

Flush bezel must be ordered/used with keylock flush mount adapter



Flush mount adapter for indicators and pushbuttons

| Image | Part No. | Material | Size |
|-------|------------|----------|-----------|
| 1 | 61-9933.10 | Plastic | 25mm Ø |
| 2 | 61-9933.0 | Aluminum | 25mm Ø |
| 3 | 61-9931.0 | Plastic | 24 x 30mm |
| 4 | 61-9930.0 | Plastic | 24 x 24mm |
| 5 | 61-9933.1 | Aluminum | 25mm Ø |

A Accessories



Flush mount adapter for keylocks and selectors

| Image | Part No. | Material | Size |
|-------|------------|----------------|-----------|
| 1 | 61-9932.10 | Plastic | 25mm Ø |
| 2* | 61-9936.0 | Plastic | 24 x 24mm |
| 3 | 61-9932.0 | Aluminum | 25mm Ø |
| 4 | 61-9932.1 | Black aluminum | 25mm Ø |
| 5** | 61-9930.0 | Plastic | 24 x 24mm |
| 6** | 61-9931.0 | Plastic | 24 x 30mm |

For keylocks must also order flush front bezel for keylock
* For selectors only ** For keylocks only



Flap guard, raised and flush mount

| Image | Part No. | Size | Raised/Flush mount |
|-------|-----------|-----------|--------------------|
| 1 | 61-9922.0 | 24 x 30mm | Flush |
| 2 | 61-9921.0 | 24 x 24mm | Flush |
| 3 | 61-9924.0 | 25mm Ø | Flush |
| 4 | 61-9920.0 | 24 x 24mm | Raised |
| 5 | 51-925 | 18 x 24mm | Raised |
| 6 | 51-920 | 18 x 18mm | Raised |

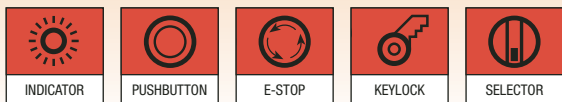


Blanking plate

| Image | Part No. | Size | Mounting hole |
|-------|-----------|-----------|---------------|
| 1 | 61-9450.0 | 24 x 24mm | 16mm Ø |
| 2 | 61-9452.0 | 24 x 30mm | 21 x 27mm |
| 3 | 61-9451.0 | 24 x 24mm | 21 x 21mm |
| 4 | 51-947.0 | 18 x 24mm | 16mm Ø |
| 5 | 51-948.0 | 18 x 18mm | 16mm Ø |
| 6 | 51-949.0 | 18mm Ø | 16mm Ø |
| | 61-9453.0 | 25mm Ø | 22.5mm Ø |

Series 61

16mm 22.5mm 21 x 21mm 21 x 27mm IP65 5A 250VAC



Choose one component from each of the colored sections to assemble a complete switch. For other options or further information please contact EAO Switch directly.

A Accessories

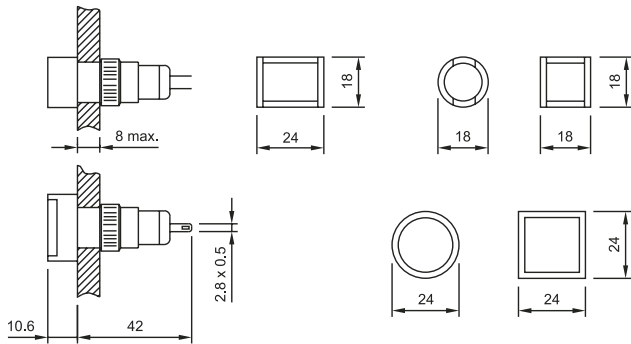
|  | |  | |  | |
|--|----------|--|-----------|---|-----------------|
| <p>1</p> <p>2</p> | | <p>Emergency-stop protective shroud, yellow painted aluminum with 16mm mounting hole</p> | | <p>Emergency-stop label, 43mm diameter, English, German, French and no markings, maintains IP65 sealing</p> | |
| Image | Part No. | Part No. | Part No. | Part No. | Markings |
| 1 | 31-929 | Contact EAO Switch directly | 61-9970.0 | 61-9970.0 | No markings |
| 2 | 31-946 | | 61-9970.2 | 61-9970.2 | Emergency Stop |
| | | | 61-9970.1 | 61-9970.1 | Not Aus |
| | | | 61-9970.3 | 61-9970.3 | Arret D'urgence |
| | | | | | |
| | | | | | |
| | | | | | |
| | | | | | |

A Accessories

|  | |  | | |  | |
|---|-----------|---|-----------|------------------------------|---|-----------|
| <p>1</p> <p>2</p> | | <p>1 2 3 4 5</p> | | | <p>1 2 3</p> | |
| <p>Emergency-stop switch enclosure with 16mm mounting hole, 65mm (w) x 65mm (h) x 57mm (d) and cable gland M16, front protected to IP65</p> | | <p>Lens remover for flush mount, mounting tool, lens remover for raised, contact block remover and LED/lamp remover</p> | | | <p>Legend plate, adhesive, natural anodized aluminum finish for flush mount round pushbuttons, 22.5mm mounting hole</p> | |
| Image | Part No. | Image | Part No. | Product description | Image | Part No. |
| 1 | 61-9480.5 | 1 | 61-9730.0 | Lens remover for flush mount | 1 | 61-9980.0 |
| 2 | 61-9481.6 | 2 | 01-907 | Mounting tool | 2 | 704.968.0 |
| | | 3 | 02-905 | Lens remover for raised | 3 | 704.968.1 |
| | | 4 | 61-9711.0 | Contact block remover | | |
| | | 5 | 61-9740.0 | LED/lamp remover | | |
| | | | | | | |
| | | | | | | |
| | | | | | | |
| | | | | | | |

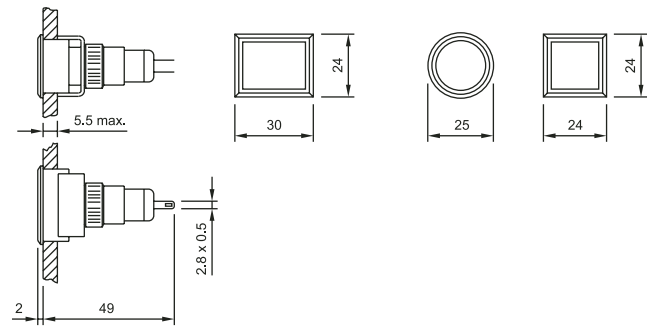
61 Indicator

Raised, Round, Square, Rectangular



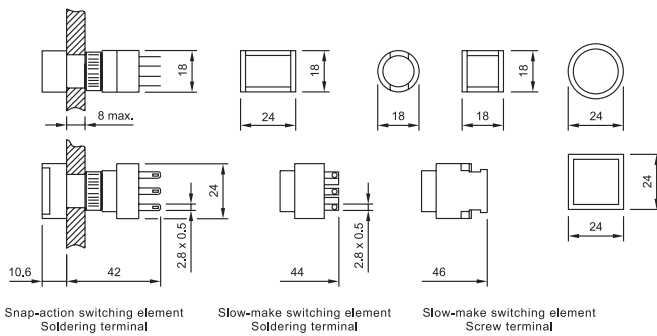
61 Indicator

Flush, Round, Square, Rectangular



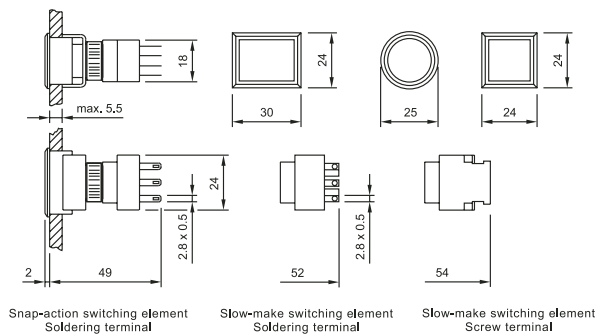
61 Pushbutton

Illuminated, Raised, Round, Square, Rectangular



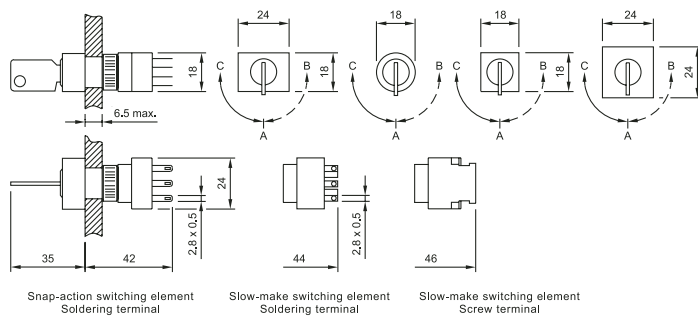
61 Pushbutton

Illuminated, Flush, Round, Square, Rectangular



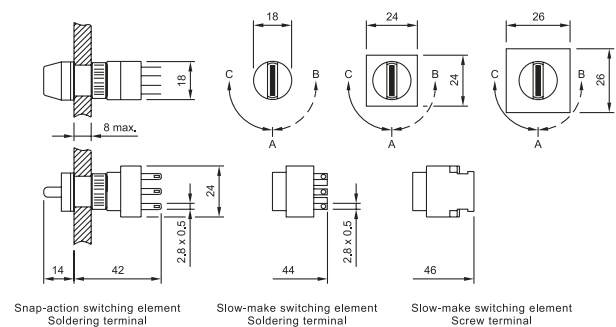
61 Keylock

2 & 3-Position, Round, Square, Rectangular



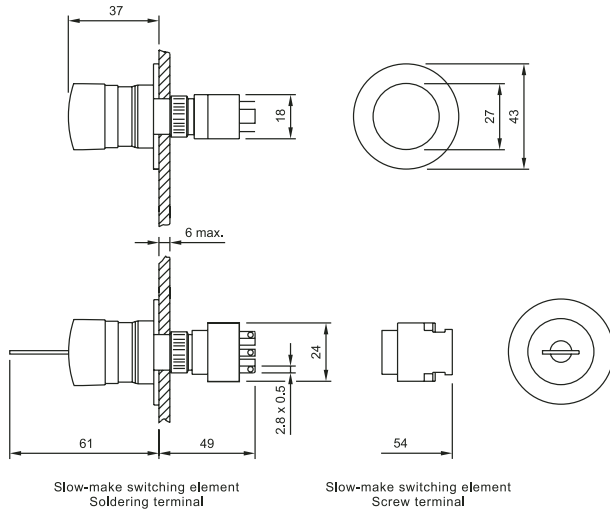
61 Selector

2 & 3-Position, Round, Square, Rectangular



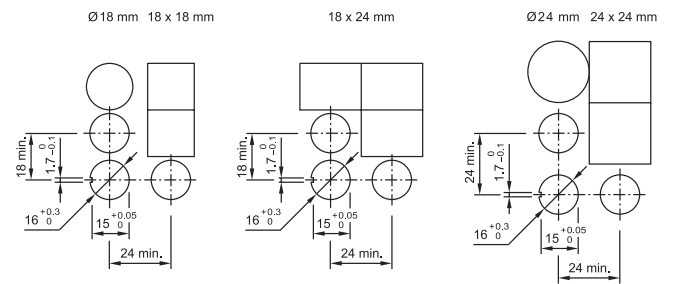
61 E-Stop

EN 418, EN 418 with Key



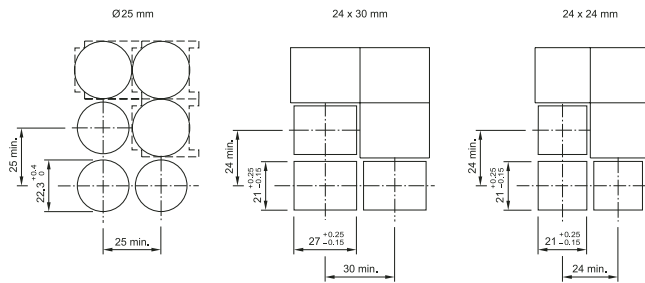
61 Cut-outs

Raised Indicators, Pushbuttons, Keylocks and Selectors



61 Cut-outs

Indicator Flush, Pushbutton Flush



61 E-Stop Cut-outs

EN 418, EN 418 with Key

