

# Amphenol Advanced Sensors

Amphenol Thermometrics (UK) Ltd., Crown Industrial Estate,  
Priorswood Road, Taunton, Somerset, TA2 8QY, UK  
Tel +44 (0) 1823 335200 Fax +44 (0) 1823 332637

<b>TEST SPECIFICATION</b>	PART No. <b>YQS6054</b>	ISSUE: <b>B</b>
CUSTOMER: <b>Various</b>	DATE: <b>8<sup>th</sup> March, 2010</b>	QUANTITY:
Customer P/N:	ORIGINATOR: <b>M.J.Roberts</b>	PAGE 1 OF 1

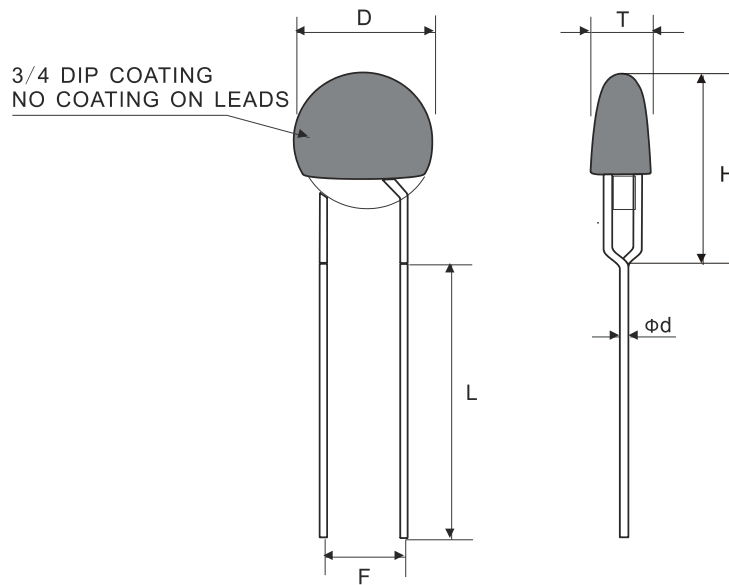
**DESCRIPTION:** PTC THERMISTOR INTENDED FOR USE AS A CURRENT LIMITING PROTECTION DEVICE

## MECHANICAL SPECIFICATION

**CONSTRUCTION:** CERAMIC DISC WITH ¾ DIPPED SILICONE RESIN COATING.  
UNINSULATED LEADWIRES.

**TERMINATIONS:** SIDE KINK, TIN COATED COPPER WIRE

**DIMENSIONS in mm:** SEE DRAWING BELOW.



	D	T	F	d	L	H
Max	6.09	4.31	6.0	0.55		12
Min			4.0	0.45	25	

RESISTANCE AT 25°C, R<sub>25</sub>: 100Ω ± 30%

SWITCHING TEMPERATURE T<sub>b</sub> (defined as 2 x R<sub>min</sub>): 60°C ± 7°C

NORMAL OPERATING VOLTAGE 30Vdc.

BREAKDOWN VOLTAGE, VBD >36Vdc.

### NOTES:

- (1) Measuring Current: 5mA max.
- (2) Resistance – 2 x Resistance minimum

CHANGES SINCE LAST ISSUE: Δ Side kink wire							
Issue :	A	B					
Date :	06/01/10	08/03/10					