

# Ferrite Toroidal Core

## TOROIDAL CORES

Toroidal cores provide high performance when wound and used as cores for transformers, inductors, or chokes.

### FEATURES:

Minimal effect on transmission waveforms

Provide low cost noise countermeasures right at the data lines

Can be added as First-Aid, On-The Spot countermeasures when equipment or devices fail

### APPLICATIONS:

Measuring equipment

Current sensing transformers

DC-DC converters

Telecommunications

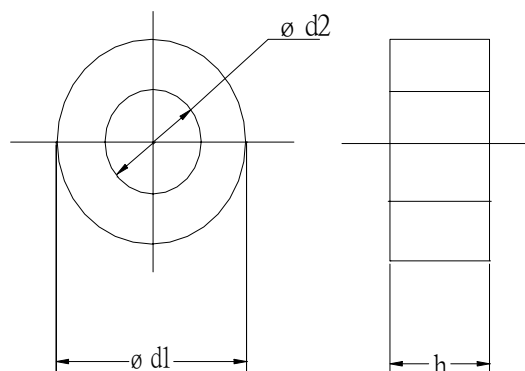
EMI filters

LAN matching and isolation transformers

LAN common mode chokes

Power supply common chokes

Inductors

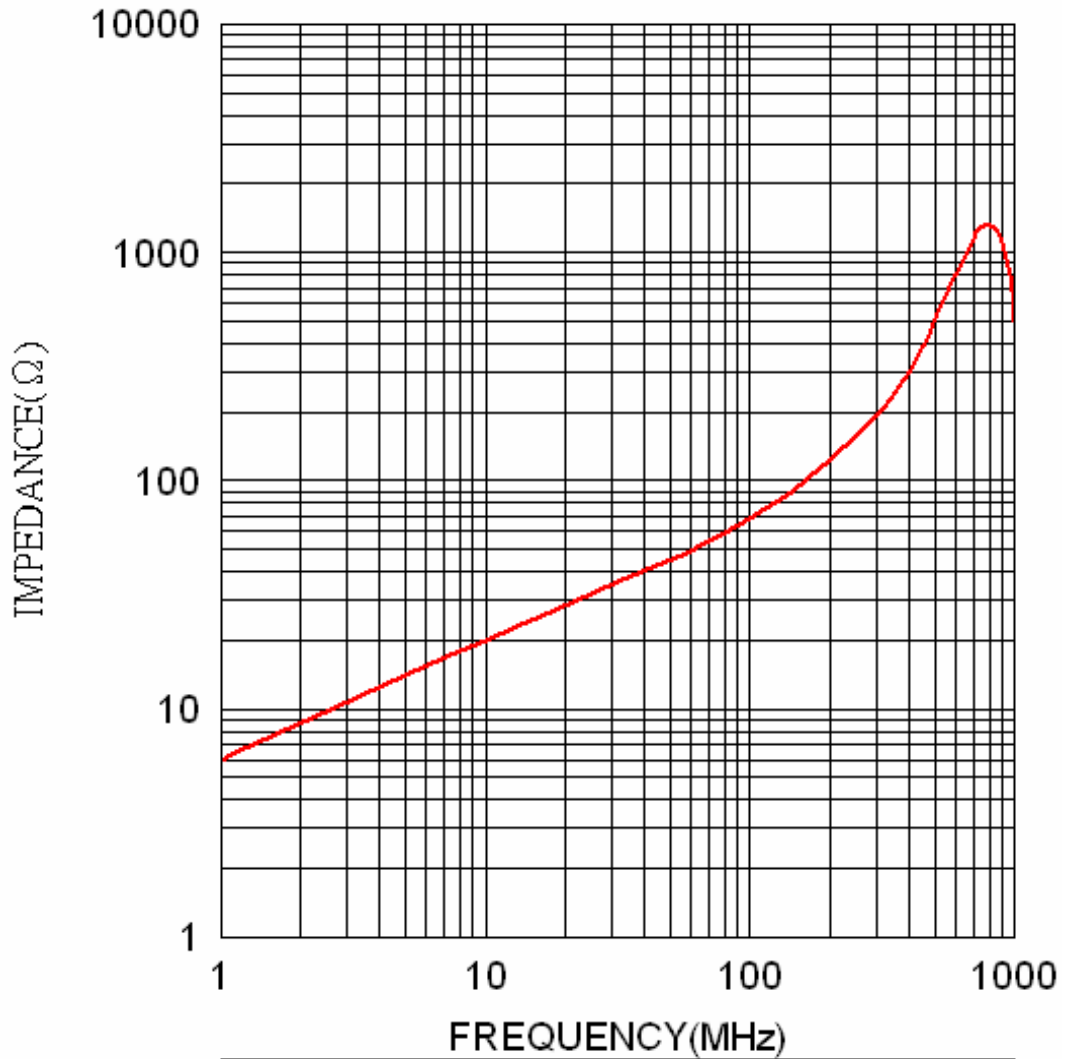


### SPECIFICATION:

h	7.5 mm
$\varnothing d1$	29 mm
$\varnothing d2$	19 mm
Inductance Constant	1.27±0.32 uH

## Frequency Graph

1. TEST INSTRUMENT: HP4286A
2. WINDING: 0.6ΦX100 mm 2 U. E. W 1TS



	1	5	10	25	100	200	400	600	800	1000
Z—	6	14	20	32	69	125	302	807	1317	503

(DATA BETWEEN 500MHz AND 1000MHz ARE FOR REFERENCE ONLY)

Art. Nr.  
RND 165-00208