

# MSD Platinum

## MSD Platinum 2 R 1CT



The MSD Platinum lamps open up new levels of creative freedom in entertainment lighting, with powerful, compact and brilliantly intense light. Their compact, lightweight design provides the freedom to create smaller, lighter luminaires – for use at any location on stage. And their short arc, high color temperature and innovative reflector produce a sparkling, high beam intensity for outstanding color reproduction. They also offer long and reliable lifetime, high efficacy and fast replacement times. It all adds up to an intensely exciting creative experience.

## Product data

### • General Characteristics

System Description	Reflector-E19
Cap-Base	-
Cap-Base Information	-
Operating Position	any
Main Application	Stage/Touring
Life to 50% failures	6000 hr
EM	

### • Light Technical Characteristics

Color Code	2
Color Temperature	8000 K
Chromaticity Coordinate X	289 -
Chromaticity Coordinate Y	294 -
Luminous Flux Lamp EM	5150 Lm

### • Electrical Characteristics

Lamp Wattage	132 W
Lamp Wattage Technical	120 W
Dimmable	Yes

### • Luminaire Design Requirements

Pinch Temperature	350 (max) C
-------------------	-------------

### • Product Dimensions

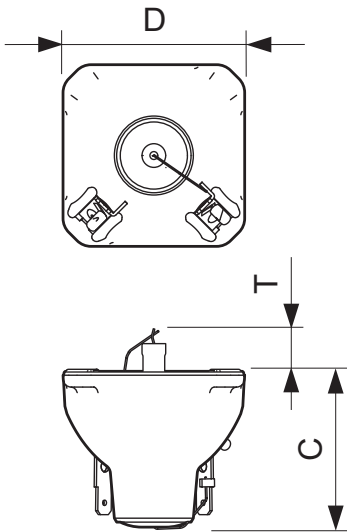
Overall Length C	57.1 (max) mm
Diameter D	46.5 (max) mm
Arc Length O	1.2 mm
Height Exhaust Tip T	13.5 (max) mm

### • Product Data

Order code	928197605314
Full product code	928197605314
Full product name	MSD Platinum 2 R 1CT
Order product name	MSD Platinum 2 R 1CT/8
Pieces per pack	1
Packing configuration	8
Packs per outerbox	8
Bar code on pack - EAN1	8718291735540
Bar code on outerbox - EAN3	8718291735557
Logistic code(s) - 12NC	928197605314
Net weight per piece	47.000 gr

# PHILIPS

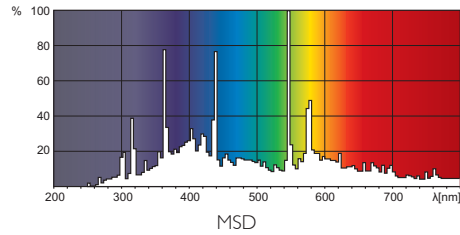
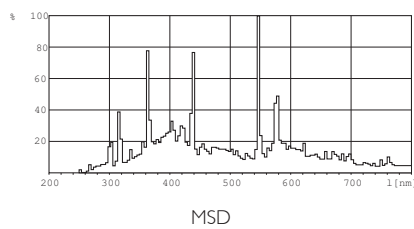
## Dimensional drawing



### MSD Platinum 2 R 1CT

Product	C (Max)	D (Max)	F (Min)	F (Norm)	F (Max)	L (Min)	L (Norm)	L (Max)	O (Norm)	T (Max)
MSD Platinum 2 R	57.1	46.5	-	-	-	-	-	-	1.2	13.5

## Photometric data



© 2015 Koninklijke Philips N.V. (Royal Philips)  
All rights reserved.

Specifications are subject to change without notice. Trademarks are the property of Koninklijke Philips N.V. (Royal Philips) or their respective owners.

[www.philips.com/lighting](http://www.philips.com/lighting)

2015, March 9  
data subject to change