

NOTES:

1. MATERIALS & FINISHES:

BODY - BERYLLIUM COPPER - GOLD PLATED
 CONTACT - BERYLLIUM COPPER - GOLD PLATED
 INSULATOR - PTFE

2. ELECTRICAL:

A. FREQUENCY RANGE = DC TO 40 GHz
 B. VSWR = 1.20:1 MAX AT DC-10 GHz
 1.30:1 MAX AT 10-26.5 GHz
 C. D.W.V. = 500 VRMS MIN.

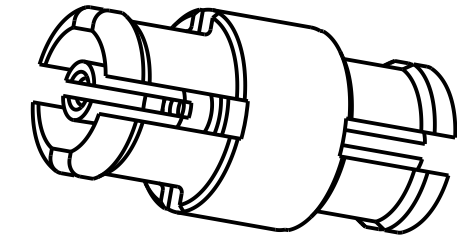
3. PHYSICAL:

A. TEMPERATURE RANGE = -65°C TO +165°C
 B. DURABILITY = 100 MATING CYCLES MIN.

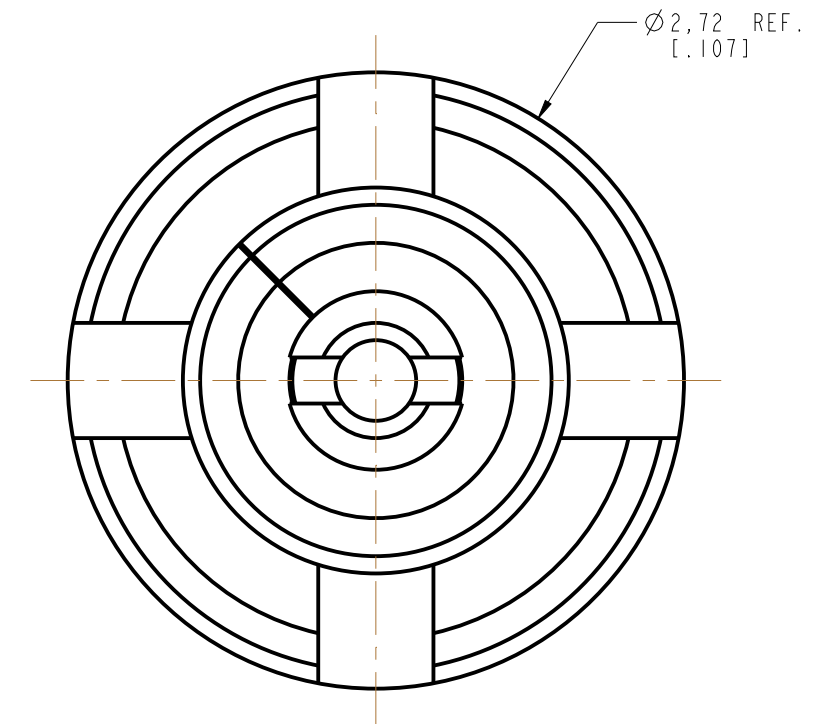
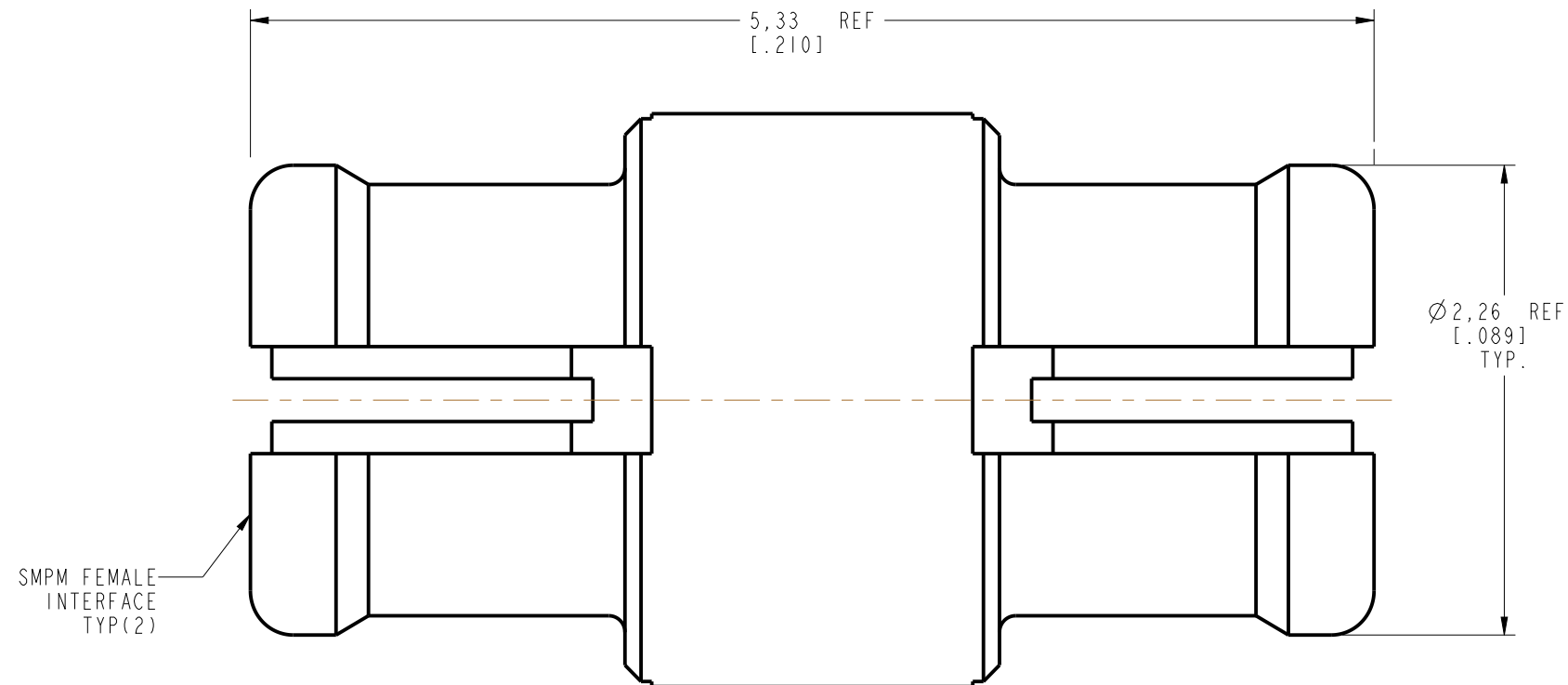
THIRD ANGLE PROJ.

REVISIONS

| REV | DESCRIPTION | DATE | ECO | APPR |
|-----|-----------------|--------|-------|------|
| A | RELEASE TO MFG. | 9/8/16 | 01843 | KCE |



SCALE 10.000



CUSTOMER OUTLINE DRAWING

ALL OTHER SHEETS ARE FOR INTERNAL USE ONLY

UNLESS OTHERWISE SPECIFIED, DIMENSIONS ARE IN INCHES AND TOLERANCES ARE:
 2 PLACE DECIMAL 3 PLACE DECIMAL ANGLES
 ±.015 (0,381 mm) ±.005 (0,127 mm) ± 1°

NOTICE - These drawings, specifications, or other data (1) are, and remain the property of Amphenol corp. (2) must be returned upon request; and (3) are confidential and not to be disclosed to any person other than those to whom they are given by Amphenol Corp. the furnishing of these drawings, specifications, or other data by Amphenol Corp., or to any other person to anyone for any purpose is not to be regarded by implication or otherwise in any manner licensing, granting rights to permitting such holder or any other person to manufacture, use or sell any product, process or design, patented or otherwise, that may in any way be related to or disclosed by said drawings, specifications, or other data.

| | | | | | | |
|-------------------------------|------------------------|-------------------|--------------------------------|--------------|-----------------------------------|-----------------------|
| MATERIAL | DRAWN M. ZHANG | DATE 05-Apr-16 | TITLE ASSEMBLY SMPM, F-F | | Amphenol RF www.amphenolrf.com | |
| REFERENCE EAR #7105 AND -- | ENGINEER T. SMITH | DATE 04-Nov-14 | | | | |
| CONFIGURATION LEVEL: In Work | APPROVED K. CAPOZZI | DATE 9/8/16 | SCALE: 30.0:1.0 | SHEET 2 OF 2 | DRAWING NO. 925-106A-5IS | ITEM NO. 925-106A-5IS |
| FINISH | CAD FILE | | DWG SIZE B | REV A | PART NO. 925-106A-5IS | |