

U.I. Lapp GmbH	DATASHEET	
	EPIC® H-A 3 TS	10427300 14.11.2013

Innovative metal and plastic housing design
Housing in plastic or metal version. For power supply in the smallest possible space



Industrial machinery and plant engineering



Mechanical resistance



Robust



Waterproof



Info

Compact, robust plastic housings size H-A 3

Application range

Machine and equipment manufacturing
Control engineering
Electronic laboratory

Product features

Hood
Bolts for single lever
Side cable entry
Versions with / without cable gland

Remark

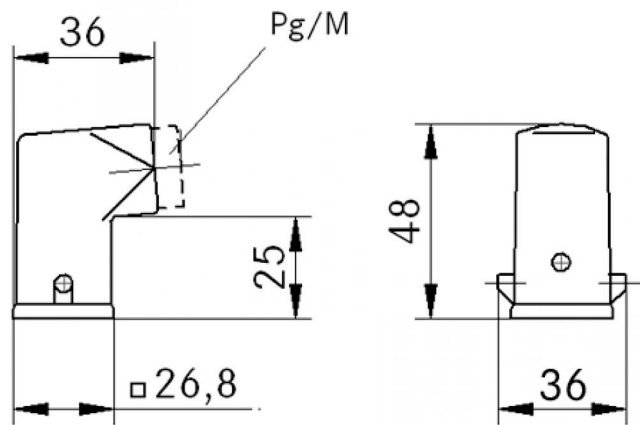
Photographs are not to scale and do not represent detailed images of the respective products.

Technical Data

Article:	H-A 3 Ts
PG:	11
Material:	Thermoplastic
Colour:	black
Pieces / PU:	10
Material:	Housing: grey thermoplastic, black Lever: zinc-plated steel
Protection rating:	IP 65 (latched)
Temperature range:	-40 °C to +100 °C, short-term up to +125 °C
VDE-tested:	Certified production control: VDE-REG. no.: B437
	UL-tested:
	UL File Number: E75770

Product Management	Document: EPIC® H-A 3 TS	1 / 2
--------------------	--------------------------	-------

U.I. Lapp GmbH	DATASHEET	 LAPP GROUP
	EPIC® H-A 3 TS	10427300 14.11.2013



Product Management	Document: EPIC® H-A 3 TS	2 / 2
--------------------	--------------------------	-------