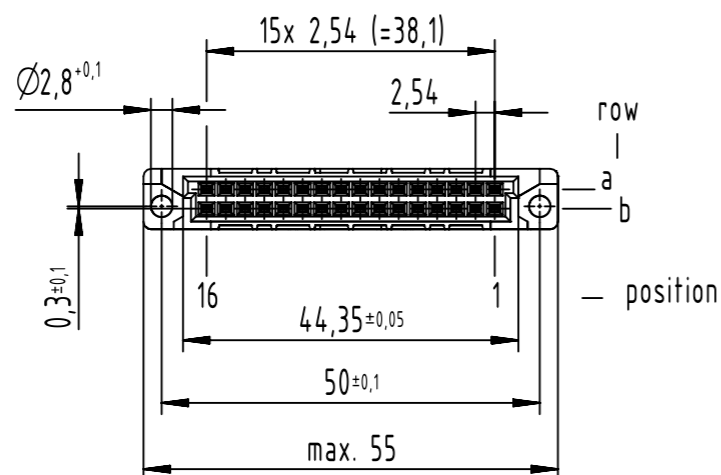
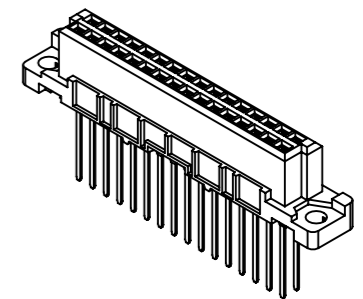
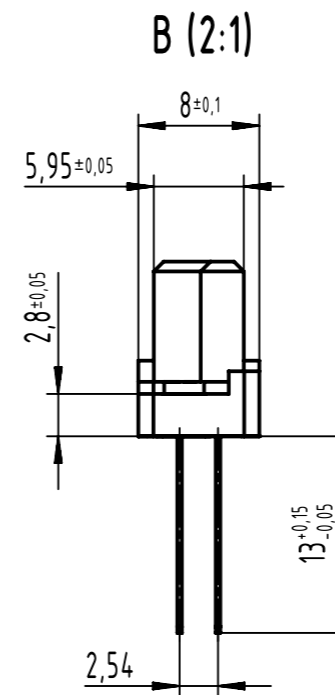
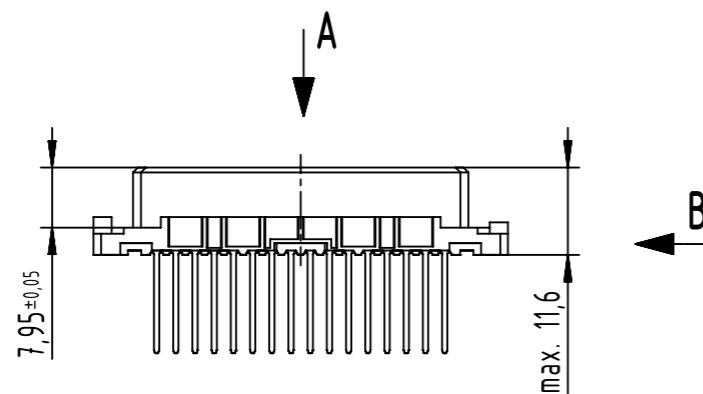


32 solder contacts

☒ = position with contact

◻ = position without contact



further information see product data sheet

09 22 232 6421	2
part no.	performance level

	All Dimensions in mm Original Size DIN A3	Scale 1:1	Free size tol. IEC 60603-2	Ref.
	All rights reserved Department EL PD	Created by STORCK	Inspected by LEHNERT	Standardisation 302077
HARTING D-32339 Espelkamp	Title DIN Signal type 2B female solder 13.0 32-pole			Doc-Key / ECM-Nr. 100111900/UGD/034/D 500000198117
	Type TB	Number 0922232X421	Date 2021-07-05	State Final Release
				Rev. D Page 1/1