

Data Sheet

TECHNICAL SPECIFICATIONS

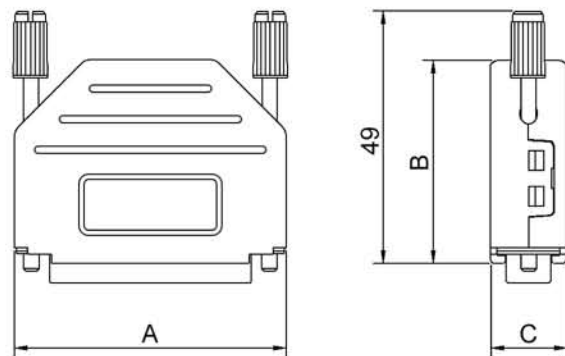
D-Sub Hood:

Housing material:	Polyamid, UL-recognised
Operating Temperature:	-55°C to +105°C
Cable Entry:	Top
Thumbscrews:	UNC 4-40 (Standard)
Cable O.D:	Up to 11,5mm



Male D-Sub Solder Cup:

Insulator:	PBT, Black, UL94 V-0
Shell:	Steel, Tin Plated
Contact pins:	Copper Alloy
Stamped & Formed Pins	Class 3, 100 inserts min.
Machined Contact Pins:	Class 1, 500 inserts min.
Contact Plating:	Selective Gold over Nickel
Operating Temperature:	-55°C to +105°C
Withstanding voltage:	1000V for 1 minute
Insulator resistance:	1000MΩ min.



Size	Dim A	Dim B	Dim C
9-way	31,5	34,0	15,0
15-way	40,0	34,0	15,0
25-way	53,5	34,0	15,0
37-way	70,0	40,0	15,0
50-way	67,5	40,0	19,0