

## FEATURES

- Type K thermocouple connector
- Quick 'jab-in' connection enables rapid termination
- Miniature quickwire connector
- Plug and socket
- Polarity and thermocouple type clearly marked on housings
- Accepts thermocouple cable up to 4 mm in diameter
- Maximum continuous temperature of +220°C
- Dimensions 220 mm x 120 mm x 250 mm
- Compatible with other makes of equivalent connectors

# RS PRO IEC Thermocouple Connector for use with Type K Thermocouple Type K, Miniature

RS Stock No.: 891-9031



RS Professionally Approved Products bring to you professional quality parts across all product categories. Our product range has been tested by engineers and provides a comparable quality to the leading brands without paying a premium price.

## Product Description

This Type K miniature thermocouple plug from RS PRO allows you to transmit temperature readings quickly and efficiently. It has an in-line socket connector for quick termination – simply push in the wires and tighten the screws. The polarised contacts ensure you always connect it correctly. All mini connectors have flat plug pins, while the standard connectors are fitted with solid round pins.

## General Specifications

<b>Accessory Type</b>	Thermocouple Connector
<b>For Use With</b>	Type K Thermocouple
<b>Thermocouple Type</b>	K
<b>Positive Contact (Alloy Type)</b>	Nickel Chromium
<b>Negative Contact (Alloy Type)</b>	Nickel Alloy
<b>Colour</b>	Green
<b>Applications</b>	Miniature Quickwire Connector

## Mechanical Specifications

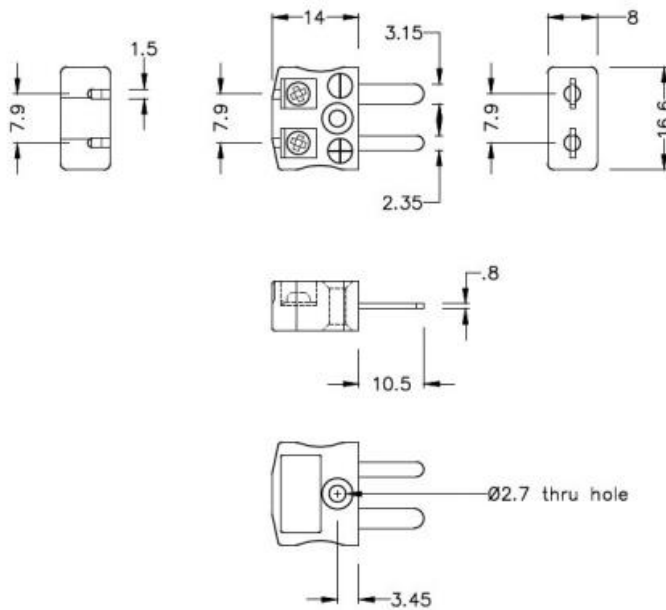
<b>Connector Size</b>	Miniature
<b>Probe Diameter</b>	4mm
<b>Plug/Socket</b>	Plug, Socket
<b>Dimensions</b>	20.5mm x 8mm x 16.6mm

## Operation Environment Specifications

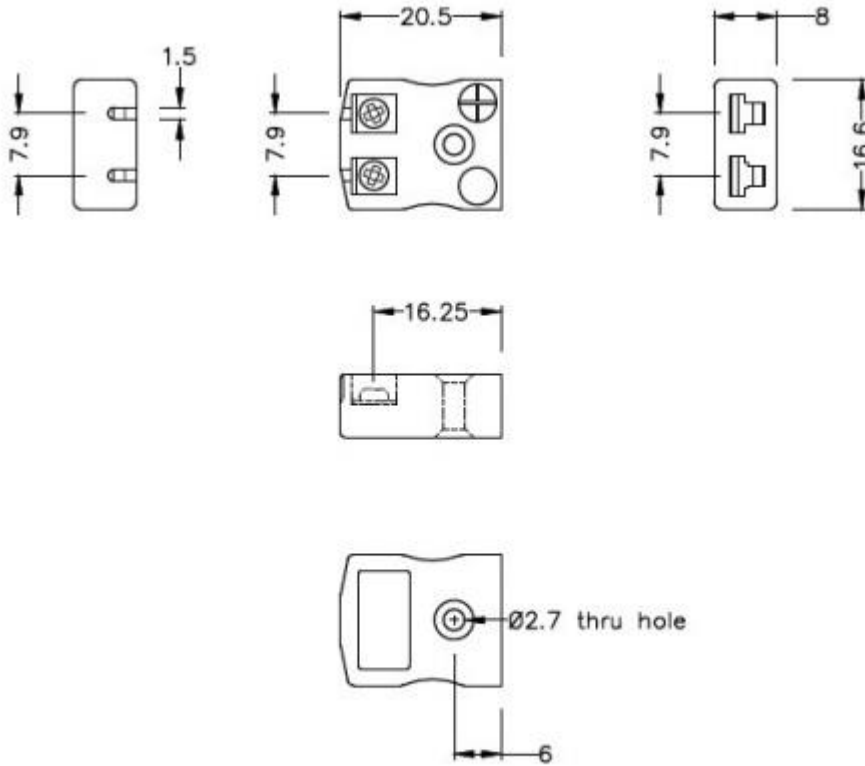
<b>Maximum Temperature</b>	+220°C
<b>Minimum Temperature</b>	-35°C

## Approvals

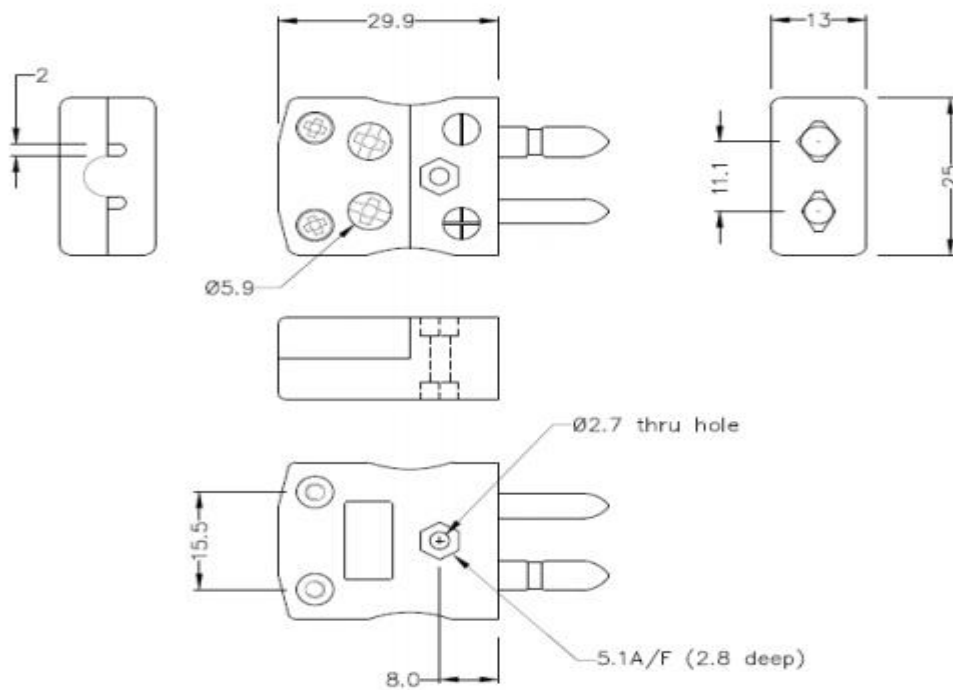
Compliance/Certifications	RoHS
---------------------------	------



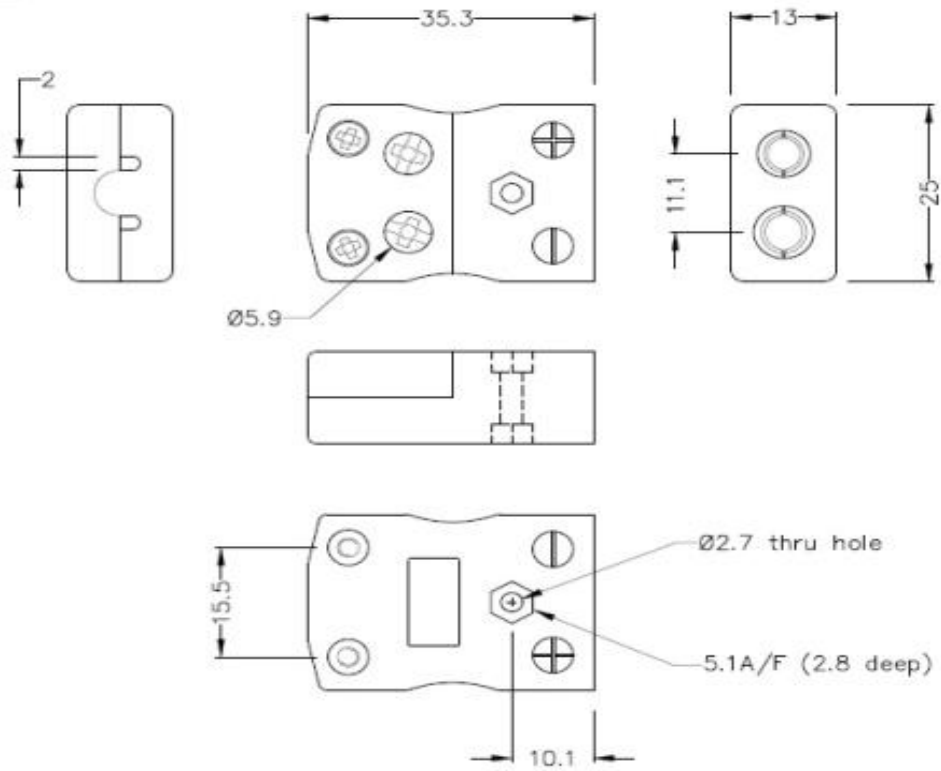
**Miniature in-line Plug - Quick Wire**  
(dimensions in mm)



**Miniature in-line Socket - Quick Wire**  
(dimensions in mm)



**Standard in-line Plug - Quick Wire**  
(dimensions in mm)



**Standard in-line Socket - Quick Wire**