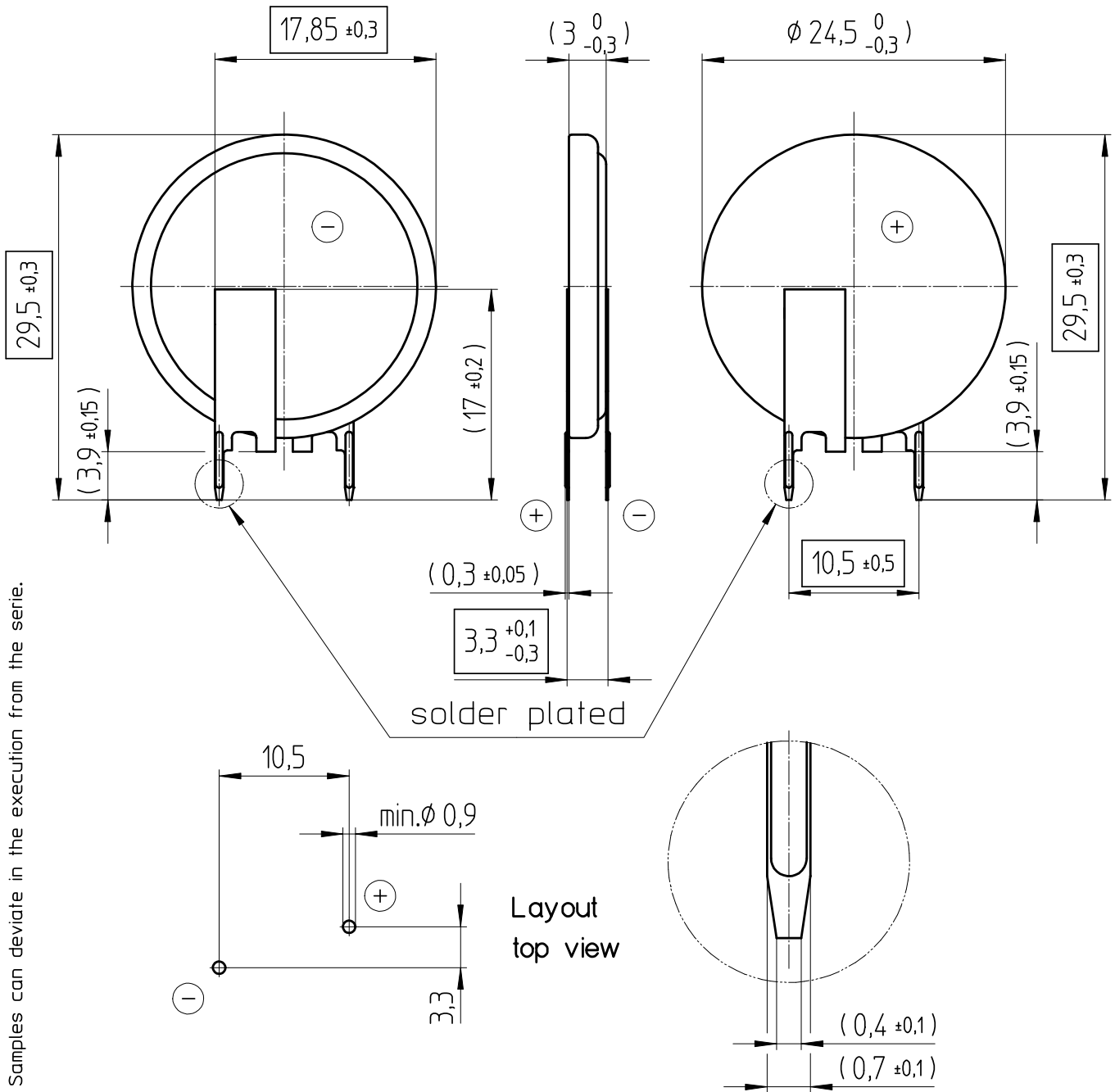


- Samples can deviate in the execution from the serie.

- Dimensions and tolerances can be specified only after the testing of the devices for the mass production definitely



Tab material: Stainless steel

All framed values will be used for dimension checking !

Rev.	○			Rev.	○			Customer's Approval			
Rev.	○			Rev.	○			☐ ⊕	Date		
Rev.	○			Rev.	○				Signature		
Titel: <h1 style="margin: 0;">CR2430FV-LF</h1>								Scale 2:1	Drawn	04.01.05	SRi
									Checked	07.02.05	MHo
									Approved		
								CH-4452 Itingen Switzerland		3.8729.4-	