

GH195, FC310, GH663, 2781, SH222-16

**Fittings
High Pressure**

**Hochdruck-
armaturen**

**Embouts
haute pression**

**Raccordi
alta pressione**

**Racores
altas pressione**

54

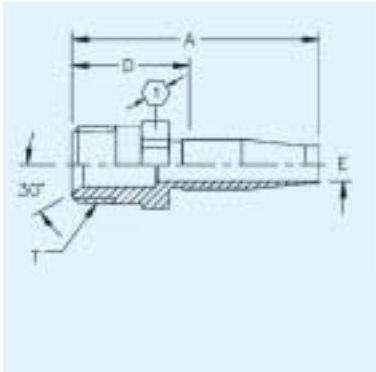
NPTF Male Pipe

**Außengewinde-
stutzen, NPTF**

Mâle NPTF

Maschio NPTF

Macho NPTF



Part Number	Thread T	Flange Tube O.D. mm	Hose ND	Hose Size	A mm	D mm	H mm	E Ø mm	K Ø mm	R Ø mm	HEX [1]	HEX [2]	Nut
G4202-2-4	1/8-27		6	-4	60	30		4					12
4202-4-4S	1/4-18		6	-4	64	35		4					14,2
G4202-6-4	3/8-18		6	-4	64	35		4					19
G4202-6-6	3/8-18		10	-6	70	34		8					19
G4202-8-6	1/2-14		10	-6	75	39		8					22
G4202-6-8	3/8-18		12	-8	74	36		10					19
G4202-8-8	1/2-14		12	-8	79	41		10					22
G4202-8-10	1/2-14		16	-10	80	42		13					22
G4202-12-12	3/4-14		19	-12	92	46		16					30
G4202-16-16	1-11 1/2		25	-16	108	57		21					36
G4202-20-20	1 1/4-11 1/2		31	-20	120	62		27					46

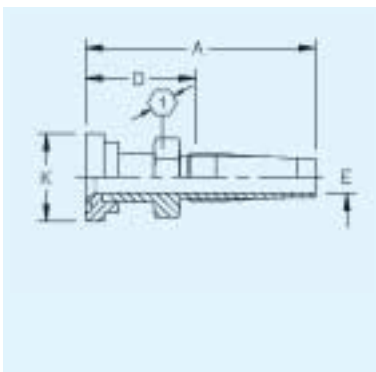
**SAE Flange
Shoulder Code 61
(3000 psi)**

**SAE
Flansch-Schulter
Code 61 (3000
psi)**

**Bride SAE code
61 (3000 psi)**

**Flangia SAE
codice 61 (3000
psi)**

**Brida SAE código
61 (3000 psi)**



Part Number	Thread T	Flange Tube O.D. mm	Hose ND	Hose Size	A mm	D mm	H mm	E Ø mm	K Ø mm	R Ø mm	HEX [1]	HEX [2]	Nut
G4614-8		1/2"	12	-8	79	41		10	30,2				19
G4614-12		3/4"	19	-12	99	52		16	38,1				27
G4614-16-12		1"	19	-12	99	52		16	44,4				27
G4614-16		1"	25	-16	103	52		21	44,4				32
G4614-20-16		1 1/4"	25	-16	119	68		21	50,8				32
G4614-20		1 1/4"	31	-20	133	75		27	50,8				41
G4614-24		1 1/2"	38	-24	142	86		33	60,3				50
G4614-32		2"	51	-32	154	93		45	71,4				65

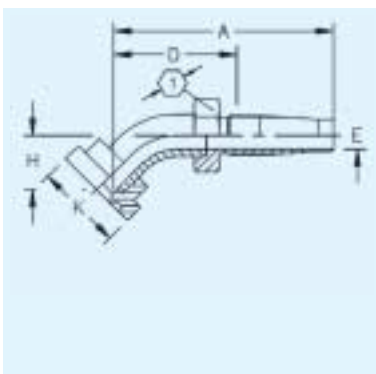
**SAE Flange
Shoulder Code 61
(3000 psi), 45°
Elbow**

**SAE
Flansch-Schulter
Code 61 (3000
psi), 45°
Krümmer**

**Bride SAE code
61 (3000 psi),
coudé 45°**

**Flangia SAE
codice 61 (3000
psi) a 45°**

**Brida SAE
código 61 (3000
psi) acodado a
45°**



Part Number	Thread T	Flange Tube O.D. mm	Hose ND	Hose Size	A mm	D mm	H mm	E Ø mm	K Ø mm	R Ø mm	HEX [1]	HEX [2]	Nut
G4645-12		3/4"	19	-12	120	73	25	16	38,1				27
G4645-16		1"	25	-16	146	95	31	18	44,4				32
G4645-20-16		1 1/4"	25	-16	147	96	32	18	50,8				32
G4645-20		1 1/4"	31	-20	145	87	26	27	50,8				41
G4645-24		1 1/2"	38	-24	150	94	29	33	60,3				50