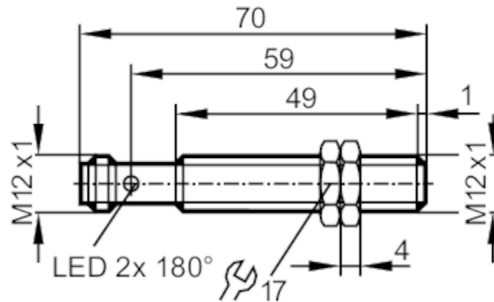


# ANT410



## RFID read/write head HF

DTRHF FBRWIDUS03



Application			
Application	detection of objects on transport equipment		
Radio approval for	Europe; USA; Canada; Japan; Australia; China; Taiwan; India; Singapore; Ukraine		
Electrical data			
Operating voltage [V]	19.2...28.8 DC; (supply only via the DTE10x evaluation unit (to EN 60950-1))		
Current consumption [mA]	< 50		
Protection class	III		
Operating frequency [MHz]	13,56		
RFID standard	ISO 15693		
Detection zone			
Distance write/read head front [mm]	40		
Distance write/read head side [mm]	20		
Distance to the ID tag [mm]	referred to 20 mm coin tag; I-CODE SLI only for static applications	:	≤ 12
Interfaces			
Communication interface	DATA / DTE10x		
Operating conditions			
Ambient temperature [°C]	-20...60		
Storage temperature [°C]	-25...80		
Protection	IP 67; IP 69K		
Tests / approvals			
EMC	DIN EN 61000-6-2		
Shock resistance	EN 60068-2-27		40 g 6 ms / repetitive
	EN 60068-2-27		50 g 11 ms / not repetitive
Vibration resistance	EN 60068-2-6		20 g 10...2000 Hz
Radio approval	EN 302 291-2 V1.1.1 / EN 300 330-2 V1.5.1		
MTTF [years]	610.46		

# ANT410



## RFID read/write head HF

DTRHF FBRWIDUS03

### Mechanical data

Weight	[g]	114.5
Housing		cylindrical
Mounting		flush mountable
Dimensions	[mm]	M12 x 1 / L = 70
Thread designation		M12 x 1
Materials		housing: stainless steel; Protective cover: PPS

### Displays / operating elements

Display	operation	1 x LED, green
	tag communication	1 x LED, yellow

### Remarks

Pack quantity	1 pcs.
---------------	--------

### Electrical connection

Connector: 1 x M12



### Connection

