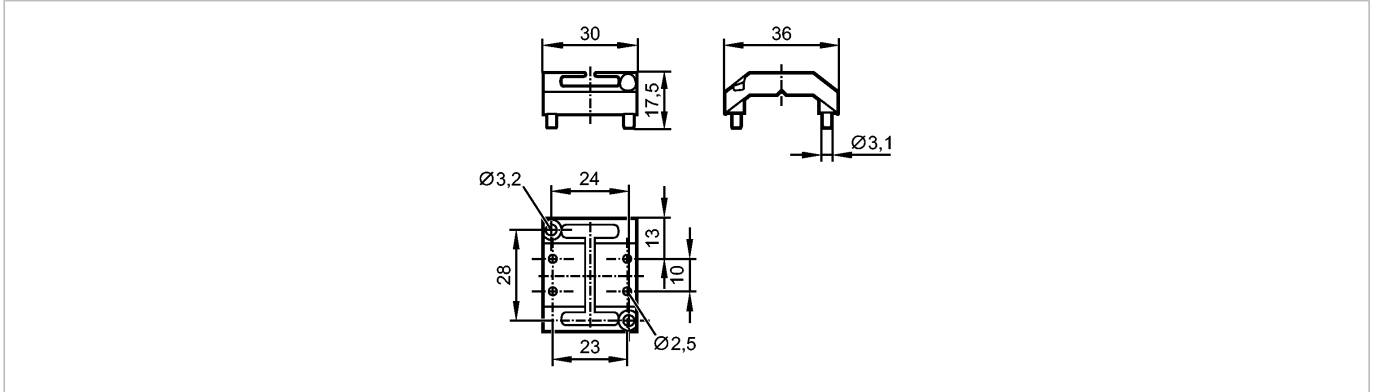




Mounting adapter

Accessories



Product characteristics

Mounting adapter

Mechanical data

Design	for capacitive level sensors
Housing materials	PBT (Pocan)
Weight [kg]	0.011
Remarks	
Remarks	Mounting strap (E10880) to be ordered separately
Pack quantity [piece]	1