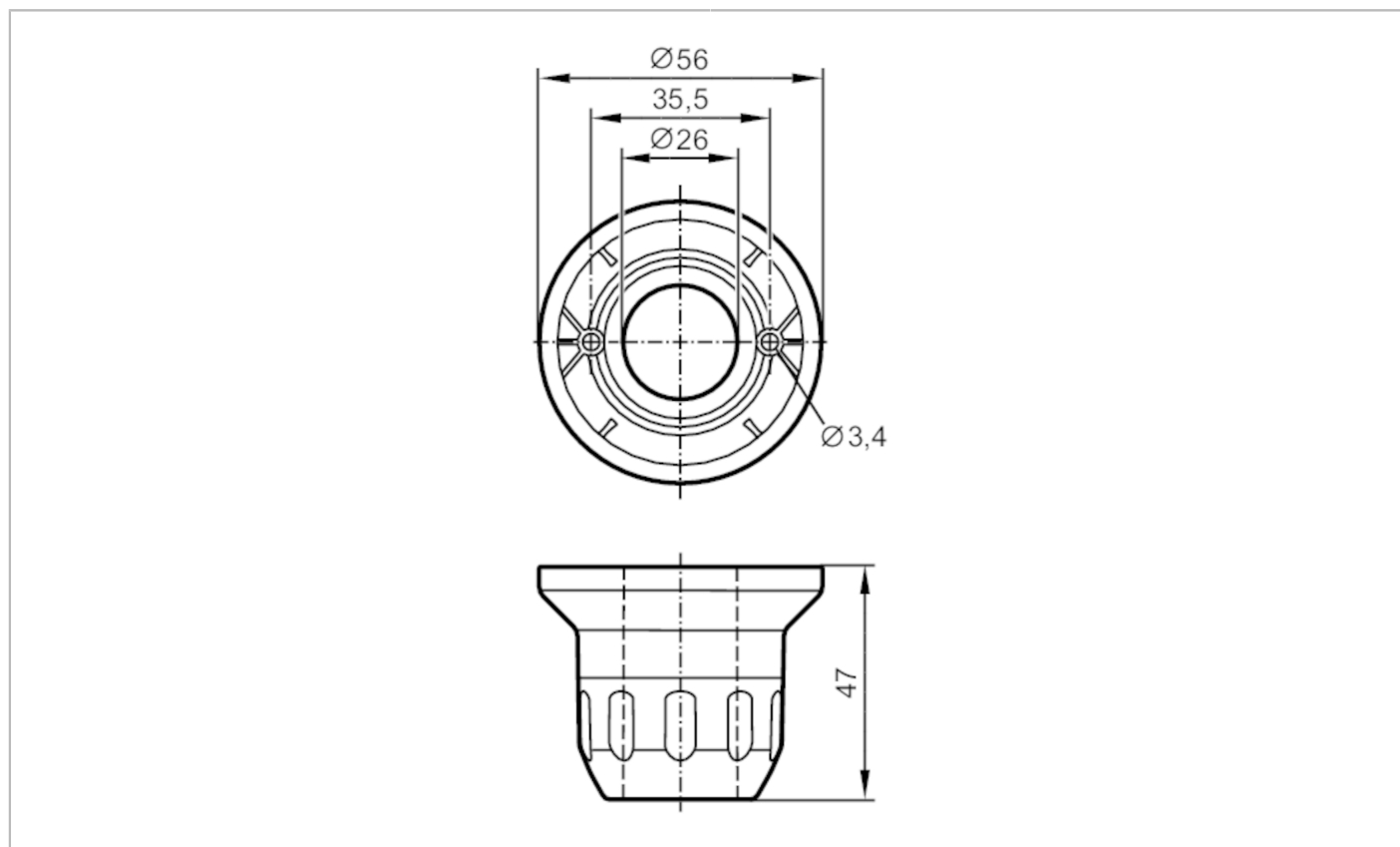


# E89080



## Mounting base

S-LED/Pole mounting bracket



Mechanical data	
Weight	[g] 58.5
Dimensions	[mm] $\text{Ø} 56 / L = 35$
Materials	polycarbonate-ABS black
Remarks	
Pack quantity	1 pcs.