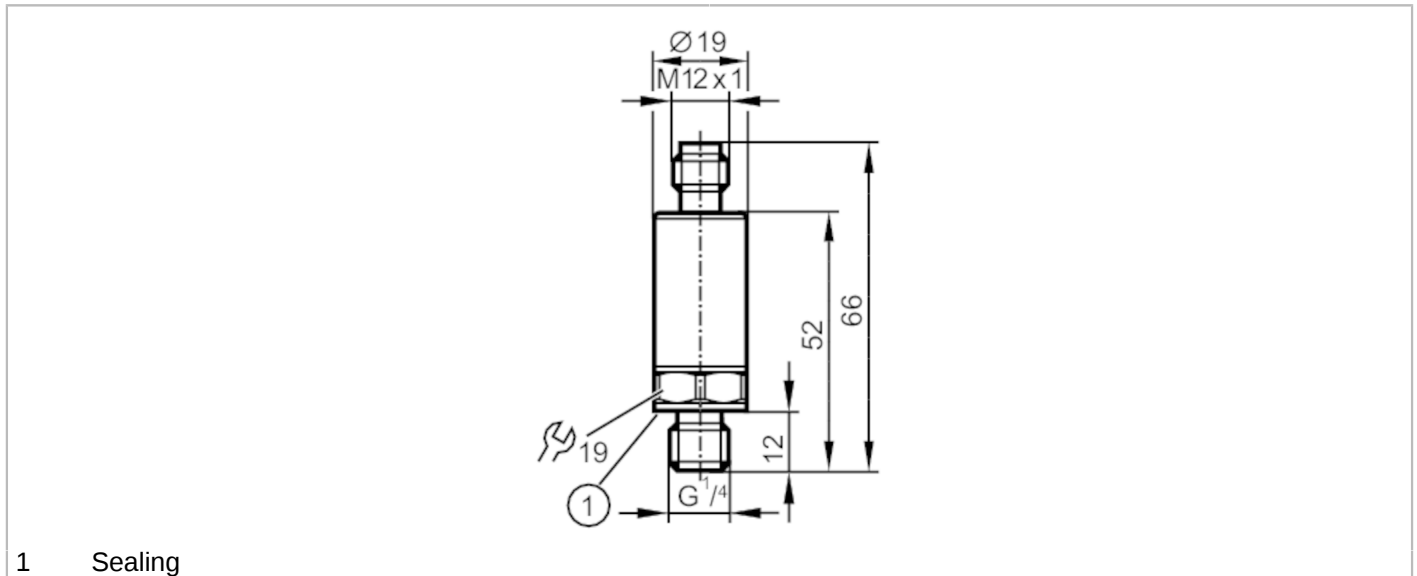


PV7004



Pressure switch with IO-Link

PV-010-REG14-UFRVG/US/ /



1 Sealing



Product characteristics			
Output signal	switching signal; IO-Link; (configurable)		
Measuring range	-1...10 bar	-14.5...145 psi	-100...1000 kPa -0.1...1 MPa
Process connection	threaded connection G 1/4 external thread (DIN EN ISO 1179-2); internal thread M5		
Application			
Measuring element	metallic thin film cell		
Application	for industrial applications		
Media	liquids and gases		
Medium temperature [°C]	-40...90		
Pressure rating	25 bar	360 psi	2.5 MPa
Note on pressure rating	static		
Min. bursting pressure	300 bar	4350 psi	30 MPa
Vacuum resistance [mbar]	-1000		
Type of pressure	relative pressure		
Electrical data			
Operating voltage [V]	18...30 DC		
Current consumption [mA]	< 15		
Min. insulation resistance [MΩ]	100; (500 V DC)		
Protection class	III		
Reverse polarity protection	yes		
Power-on delay time [s]	< 0.3		
Inputs / outputs			
Number of inputs and outputs	Number of digital outputs: 2		



Pressure switch with IO-Link

PV-010-REG14-UFRVG/US /

Outputs				
Total number of outputs	2			
Output signal	switching signal; IO-Link; (configurable)			
Electrical design	PNP/NPN			
Number of digital outputs	2			
Output function	normally open / normally closed; (parameterisable)			
Max. voltage drop switching output DC [V]	2			
Permanent current rating of switching output DC [mA]	100			
Switching frequency DC [Hz]	< 170			
Short-circuit protection	yes			
Type of short-circuit protection	pulsed			
Overload protection	yes			
Measuring/setting range				
Measuring range	-1...10 bar	-14.5...145 psi	-100...1000 kPa	-0.1...1 MPa
Set point SP	-0.9...10 bar	-13.1...145 psi	-0.09...1 MPa	
Reset point rP	-0.95...9.95 bar	-13.8...144.3 psi	-0.095...0.995 MPa	
In steps of	0.005 bar	0.1 psi	0.0005 MPa	
Factory setting	SP1 = 2.5 bar	rP1 = 2.3 bar	ou1 = Hno;	
	SP2 = 7.5 bar	rP2 = 7.3 bar	ou2 = Hno;	
	dS1/dS2 = 0 ms	dr1/dr2 = 0 ms		
	coF = 0 %	P-n = PnP	dAP= 60 ms	
Accuracy / deviations				
Switch point accuracy [% of the span]	< ± 0,5 (nach DIN EN 61298-2)			
Repeatability [% of the span]	< ± 0,05; (with temperature fluctuations < 10 K)			
Characteristics deviation [% of the span]	< ± 0,5 (nach DIN EN 61298-2); (incl. drift when overtightened, zero point and span error, non-linearity, hysteresis)			
Linearity deviation [% of the span]	< ± 0,1 (BFSL) / < ± 0,2 (LS)			
Hysteresis deviation [% of the span]	< ± 0,2			
Long-term stability [% of the span]	< ± 0,1; (per 6 months)			
Temperature coefficient zero point [% of the span / 10 K]	< 0,1 (-25...90 °C) / < 0,2 (-40...-25 °C)			
Temperature coefficient span [% of the span / 10 K]	< 0,1 (-25...90 °C) / < 0,2 (-40...-25 °C)			
Response times				
Response time [ms]	< 3			
Software / programming				
Parameter setting options	hysteresis / window; normally open / normally closed; switching logic; switch-on/switch-off delay; Damping			

PV7004



Pressure switch with IO-Link

PV-010-REG14-UFRVG/US/ /

Interfaces		
Communication interface	IO-Link	
Transmission type	COM2 (38,4 kBaud)	
IO-Link revision	1.1	
SDCI standard	IEC 61131-9	
IO-Link device ID	713 d / 00 02 c9 h	
Profiles	Smart Sensor: Process Data Variable; Device Identification, Device Diagnosis	
SIO mode	yes	
Required master port type	A	
Process data analogue	2	
Process data binary	2	
Min. process cycle time [ms]	5	
Operating conditions		
Ambient temperature [°C]	-40...90	
Storage temperature [°C]	-40...100	
Protection	IP 67; IP 69K	
Tests / approvals		
EMC	DIN EN 61326-1	
Shock resistance	DIN EN 60068-2-27	500 g (1 ms)
Vibration resistance	DIN EN 60068-2-6	20 g (10...2000 Hz)
MTTF [years]	667.77	
UL approval	UL Approval no.	J015
Pressure Equipment Directive	Sound engineering practice; can be used for group 2 fluids; group 1 fluids on request	
Mechanical data		
Weight [g]	63.5	
Materials	1.4542 (17-4 PH / 630); stainless steel (1.4404 / 316L); PEI	
Materials (wetted parts)	stainless steel (1.4305 / 303); 1.4542 (17-4 PH / 630)	
Min. pressure cycles	60 million; (at 1.2 times nominal pressure)	
Tightening torque [Nm]	25...35; (recommended tightening torque; depends on lubrication, seal and pressure rating)	
Process connection	threaded connection G 1/4 external thread (DIN EN ISO 1179-2); internal thread M5	
Process connection sealing	FKM (to DIN 3869)	
Restrictor element integrated	yes	
Remarks		
Remarks	BFSL = Best Fit Straight Line LS = limit value setting	
Pack quantity	1 pcs.	
Electrical connection		
Connector: 1 x M12		

PV7004

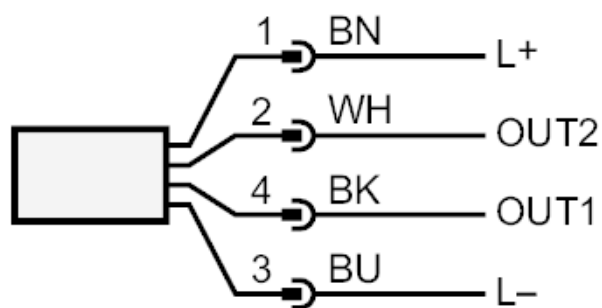


Pressure switch with IO-Link

PV-010-REG14-UFRVG/US/ /



Connection



OUT1 switching output

IO-Link

OUT2 switching output

colours to DIN EN 60947-5-2

Core colours :

BK = black

BN = brown

BU = blue

WH = white