

## MB DIODE

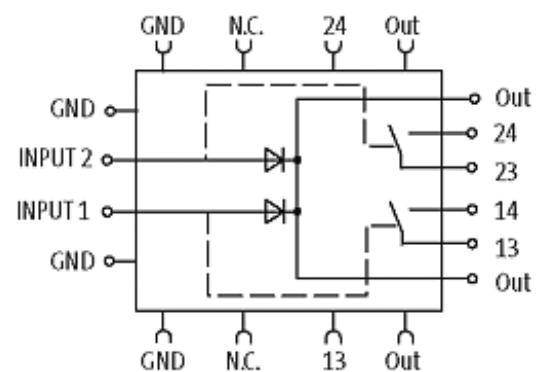
IN: 24VDC/2x20ADC OUT: 24V/20-40ADC

INPUT: 24 V DC (SELV/PELV)

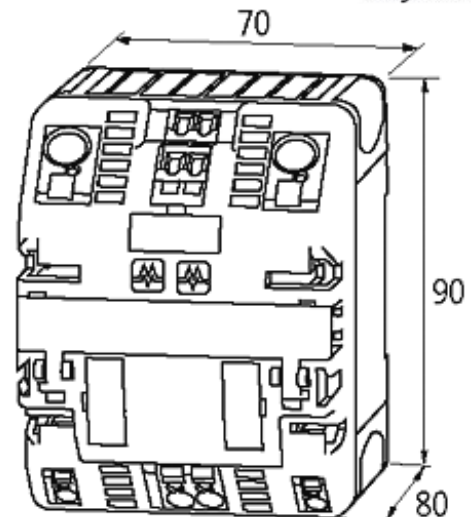
OUTPUT: max. 2 × 20 A / 1 × 40 A

### [Link to Product](#)

#### Illustration



stay connected



Product may differ from Image

### Approvals



### Input

Input voltage	24 V DC (21...30 V DC)
Input current	2 × 20 A/1 × 40 A
Total current	max. 40 A
Invers-polarity protection	Internal protection against reverse polarization up to 60 V DC
Auto-Balancing (50/50)	no

### General data

Standards	(EN 61000-6-2), (EN 61000-6-3)
Bridging concept	two sides, with spring clamp terminals or bridge set (max. 40 A)
Relative humidity	5...95 %, no condensation
Power loss	$U$ (approx. 0.5 V) × $I$
Efficiency	97 %
Connection	Spring clamp terminals
Mounting method	DIN-rail mountable TH35 (EN 60715)
Temperature range	-25...+55 °C (20 A); -25...+40 °C (40 A); (storage temperature -25...+85 °C)

### Output

Output voltage	24 V DC (21...30 V DC)
Output current	20 A (-25...+55 °C); 40 A (-25...+40 °C)
Overload	at 20 A +50 % for 4 s
LED display	LED (green)
Alarm output	potential free per channel (relay contact)

### Commercial data

The information in this brochure has been compiled with the utmost care.

Liability for the correctness completeness and topicality of the information is restricted to gross negligence. Version: 05/15

Murrelektronik GmbH | Falkenstraße 3, 71570 Oppenweiler | Fon +49 (71 91) 47-0, Fax +49 (71 91) 47-491000 | shop@murrelektronik.de | shop.murrelektronik.de

---

country of origin	CZ
customs tariff number	85411000
minimum order quantity	1

---