



Model Number

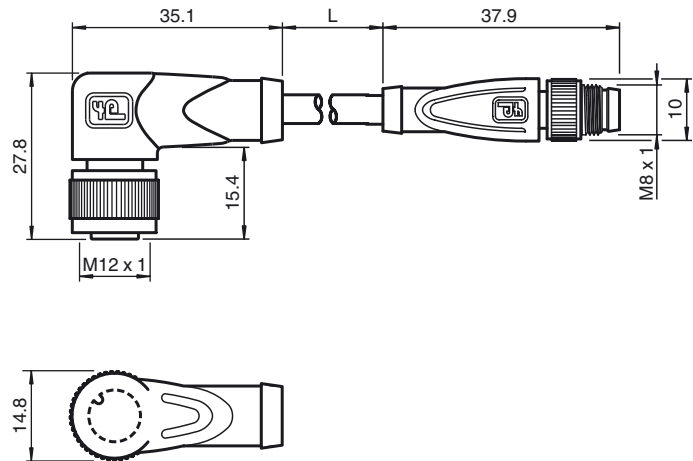
V11-W-0,6M-PUR-V3-GM

Connection cable, M12 to M8, PUR cable, 3-pin

Features

- Knurled nut suitable for tool assembly
- Immunity to vibration, with mechanical latching
- Gold-plated and machined contacts
- Halogen-free
- Resistant to microbes and hydrolysis

Dimensions



Technical data

General specifications

| | |
|---------------------|----------------|
| Number of pins | 3 |
| Connection 1 | socket |
| Construction type 1 | right angle |
| Threading 1 | M12 |
| Connection 2 | Male connector |
| Construction type 2 | straight |
| Threading 2 | M12 |

Electrical specifications

| | | |
|-------------------|-------|----------------------------|
| Operating voltage | U_B | max. 60 V AC/DC |
| Test voltage | | > 1500 V _{eff} AC |
| Operating current | | max. 3 A |
| Volume resistance | | < 5 mΩ |

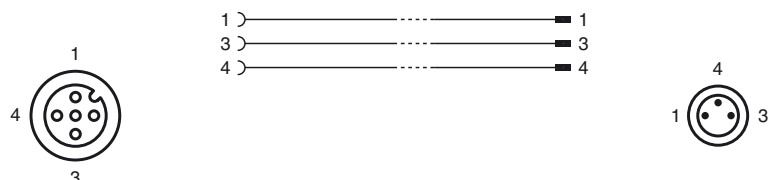
Ambient conditions

| | |
|---------------------|---|
| Ambient temperature | cable, fixed: -40 ... 80 °C (-40 ... 176 °F) cable, flexing: -20 ... 80 °C (-4 ... 176 °F) |
| Pollution Degree | 3 |

Mechanical specifications

| | |
|------------------------|---|
| Contact elements | spring-loaded contact socket |
| Pin diameter | 1 mm |
| Protection degree | IP67 |
| Material | |
| Contacts | CuSn / Au |
| Contact surface | Au |
| Body | TPU, green |
| Cable | PUR |
| Slotted nut | Diecast zinc |
| Sleeve connector | Diecast zinc |
| Core insulation | PP |
| Cable | fine-strand, flexible |
| Sheath diameter | Ø 4.3 mm |
| Bending radius | > 15 x cable diameter, induced > 8 x cable diameter, fixed |
| Color | grey |
| Cores | 3 x 0.25 mm ² |
| Conductor construction | 14 x 0.15 mm Ø |
| Length | L 0.6 m |

Electrical connection



Release date: 2013-08-14 16:30 Date of issue: 2013-08-14 21:0888_eng.xml

Refer to "General Notes Relating to Pepperl+Fuchs Product Information".