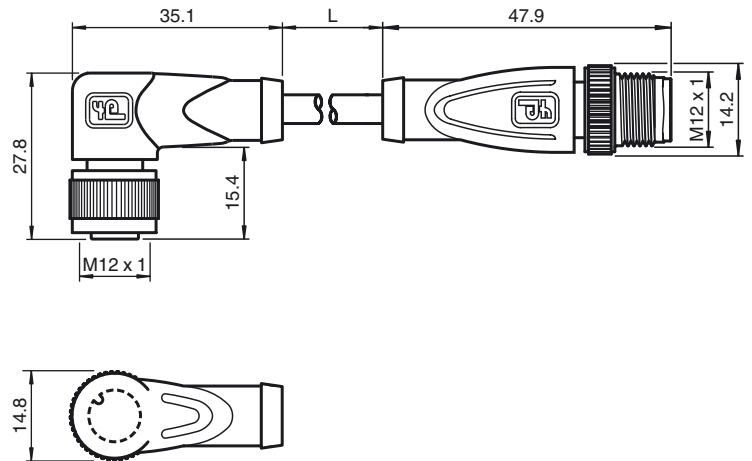




**Dimensions**



**Model Number**

**V1-W-BK0,3M-PUR-A-V1-G**

Connection cable, M12 to M12, PUR cable, 4-pin

**Features**

- Improved resistance to weld slag
- Suitable for drag chains
- Suitable for robotic applications / torsion resistant
- Flame resistant cable
- Halogen-free
- Resistant to microbes and hydrolysis
- Free of paint coating substances
- Immunity to vibration, with mechanical latching
- Knurled nut suitable for tool assembly

**Technical data**

**General specifications**

Number of pins 4

**Electrical specifications**

Operating voltage  $U_B$  max. 250 V AC/DC  
 Operating current  $I_B$  max. 4 A  
 Volume resistance < 5 mΩ

**Ambient conditions**

Ambient temperature Body: -40 ... 90 °C (-40 ... 194 °F)  
 cable, fixed: -40 ... 80 °C (-40 ... 176 °F)  
 cable, flexing: -25 ... 80 °C (-13 ... 176 °F)

Pollution Degree 3

**Mechanical specifications**

Contact elements spring-loaded contact socket  
 Pin diameter 1 mm  
 Degree of protection IP67

**Material**

Contacts CuSn / Au  
 Contact surface Au  
 Body TPU, black  
 Cable PUR resistant to weld spatter  
 Slotted nut Diecast zinc  
 Sleeve connector Diecast zinc  
 Core insulation PP  
 Cable extra-fine wire, flexible  
 Sheath diameter Ø 4.3 mm  
 Bending radius > 10 x cable diameter, moving  
 > 5 x cable diameter, fixed

Color black  
 Cores 4 x 0.34 mm<sup>2</sup>  
 Conductor construction 42 x 0.1 mm Ø  
 Length L 0.3 m

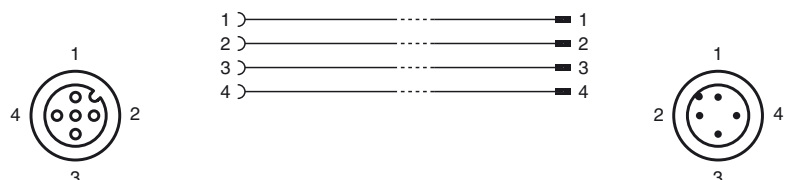
Drag chain suitability  
 Drag chain cycles ≥ 5000000 (at max. 60 °C)  
 Motion velocity ≤ 3.3 m/s  
 Traverse distance 5 m horizontal  
 Acceleration ≤ 5 m/s<sup>2</sup>  
 Torsion cycles ≥ 1000000 (at max. 60 °C)  
 Torsional stress ± 180 °/m

**Flammability**

Contact material 94 HB  
 Housing 94 V-2  
 Cable FT2

**Compliance with standards and directives**

**Electrical connection**



Release date: 2015-01-12 14:01 Date of issue: 2015-01-12 240776-0019\_eng.xml

Refer to "General Notes Relating to Pepperl+Fuchs Product Information".

Pepperl+Fuchs Group  
 www.pepperl-fuchs.com

USA: +1 330 486 0001  
 fa-info@us.pepperl-fuchs.com

Germany: +49 621 776 4411  
 fa-info@de.pepperl-fuchs.com

Singapore: +65 6779 9091  
 fa-info@sg.pepperl-fuchs.com



Standard conformity	
Degree of protection	EN 60529:2000
Standards	IEC 61076-2-101:2008
Flammability	Body: UL 94 Line: UL 1581 Section 1061; IEC 60332-1-2:2004
Halogen-free	IEC 60754-1:1994

Release date: 2015-01-12 14:01 Date of issue: 2015-01-12 240776-0019\_eng.xml