

ROTARY OPERATOR WITH SHAFT STUB WITHOUT HANDLE FOR RETROFIT 8UC ACCESSORY FOR 3VA2 100/160/250



## Model

product brand name	SENTRON
--------------------	---------

## Product details

Product component / axis extension	No
Product property / lockable	Yes

## Accessories

accessories	Direct rotary operating mechanism without handle
Height	mm 80

General Product Approval	EMC	Declaration of Conformity	other
--------------------------	-----	---------------------------	-------



[other](#)



[other](#)

## Further information

Information- and Downloadcenter (Catalogs, Brochures,...)

<http://www.siemens.com/lowvoltage/catalogs>

Industry Mall (Online ordering system)

<https://eb.automation.siemens.com/mall/en/WW/Catalog/Product/3VA92670GK00>

Service&Support (Manuals, Certificates, Characteristics, FAQs,...)

<http://support.automation.siemens.com/WW/view/en/3VA92670GK00/all>

Image database (product images, 2D dimension drawings, 3D models, device circuit diagrams, ...)

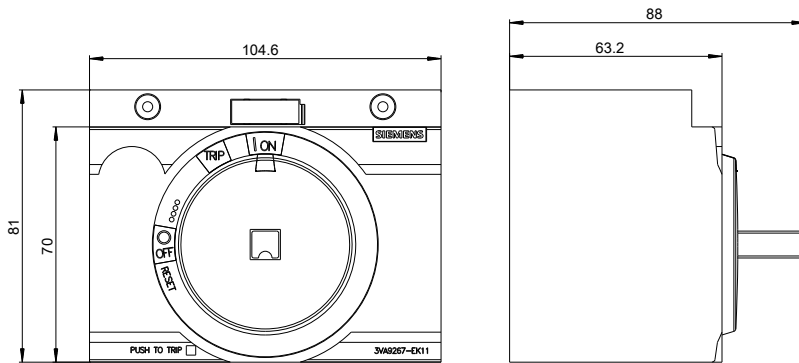
[http://www.automation.siemens.com/bilddb/cax\\_en.aspx?mlfb=3VA92670GK00](http://www.automation.siemens.com/bilddb/cax_en.aspx?mlfb=3VA92670GK00)

CAX-Online-Generator

<http://www.siemens.com/cax>

**Tender specifications**

<http://ausschreibungstexte.siemens.com/tiplv>



last modified:

16.03.2015