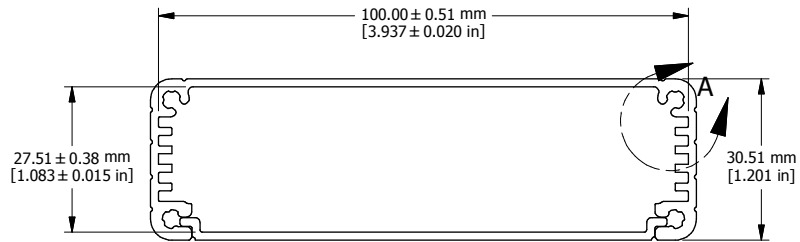
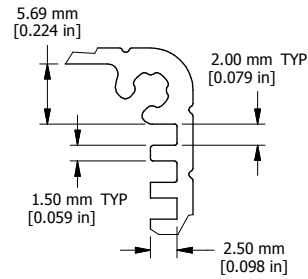


2

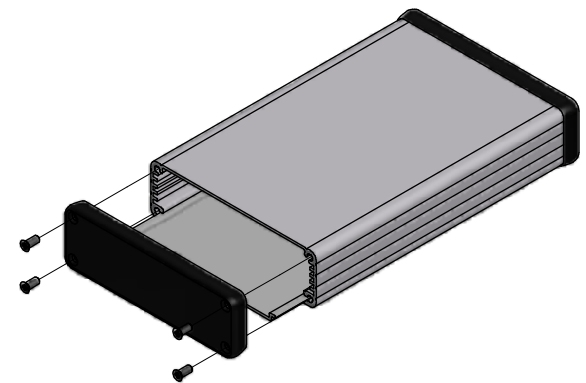
1



EXTRUSION

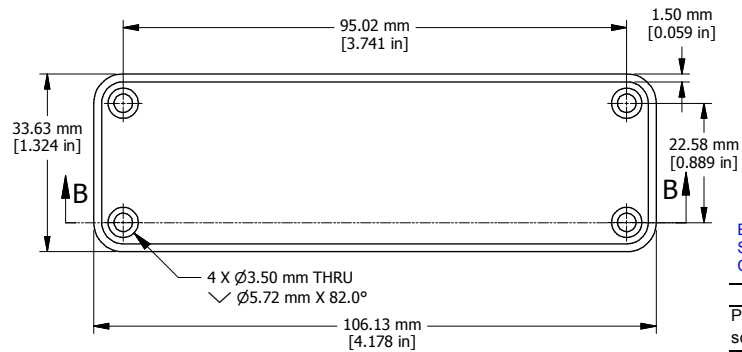
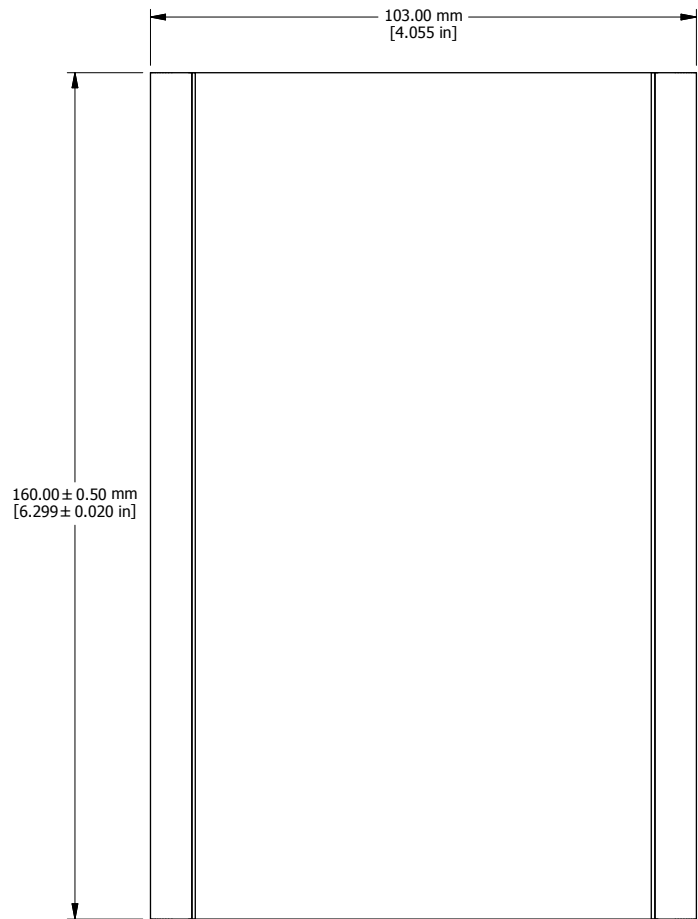


DETAIL A

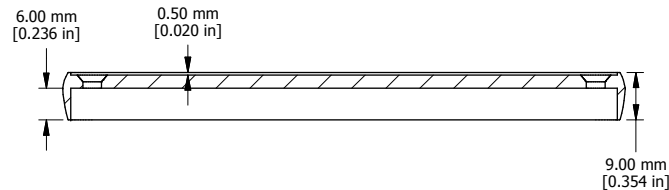


EXPLODED ASSEMBLY VIEW

EXTRUSION DESIGNED FOR 100MM WIDE PC BOARD



CLOSED BEZEL



Enclosures can be Factory Modified ( Milling, Drilling, Printing etc. )  
 Solid models of this enclosure available in STEP or IGES.  
 Contact Factory [mjm@hammondmfg.com](mailto:mjm@hammondmfg.com)

**NOTE**

Purchased assembly includes box, plastic bezels, #6 Taptight screws and self adhesive rubber feet.

Box made from Extruded Aluminum 6063.

Bezels made with ABS.

**1455L1602**

**PART NUMBERS**

Clear Anodized	1455L1602
Black Anodized	1455L1602BK
Blue Anodized	1455L1602BU
Red Anodized	1455L1602RD

**ACCESSORIES**

See website for accessories.

**HAMMOND MANUFACTURING™**  
**1455L1602**  
[www.hammondmfg.com](http://www.hammondmfg.com)

2

1