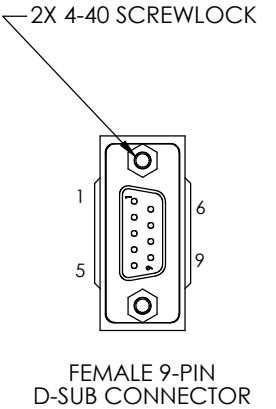
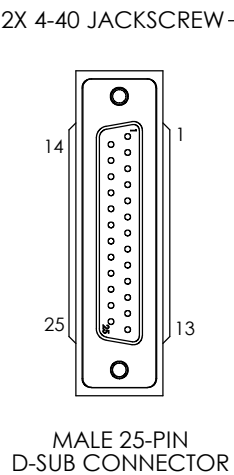
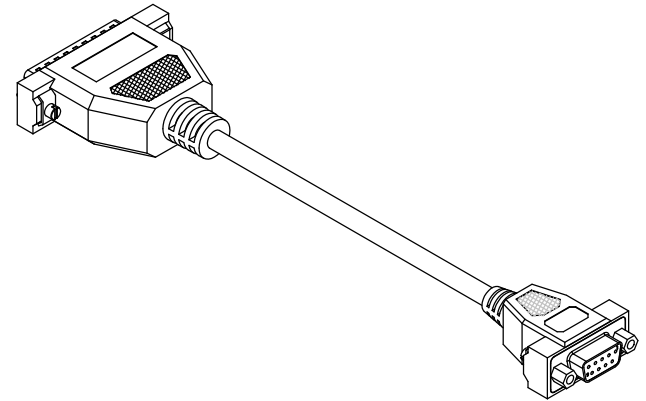
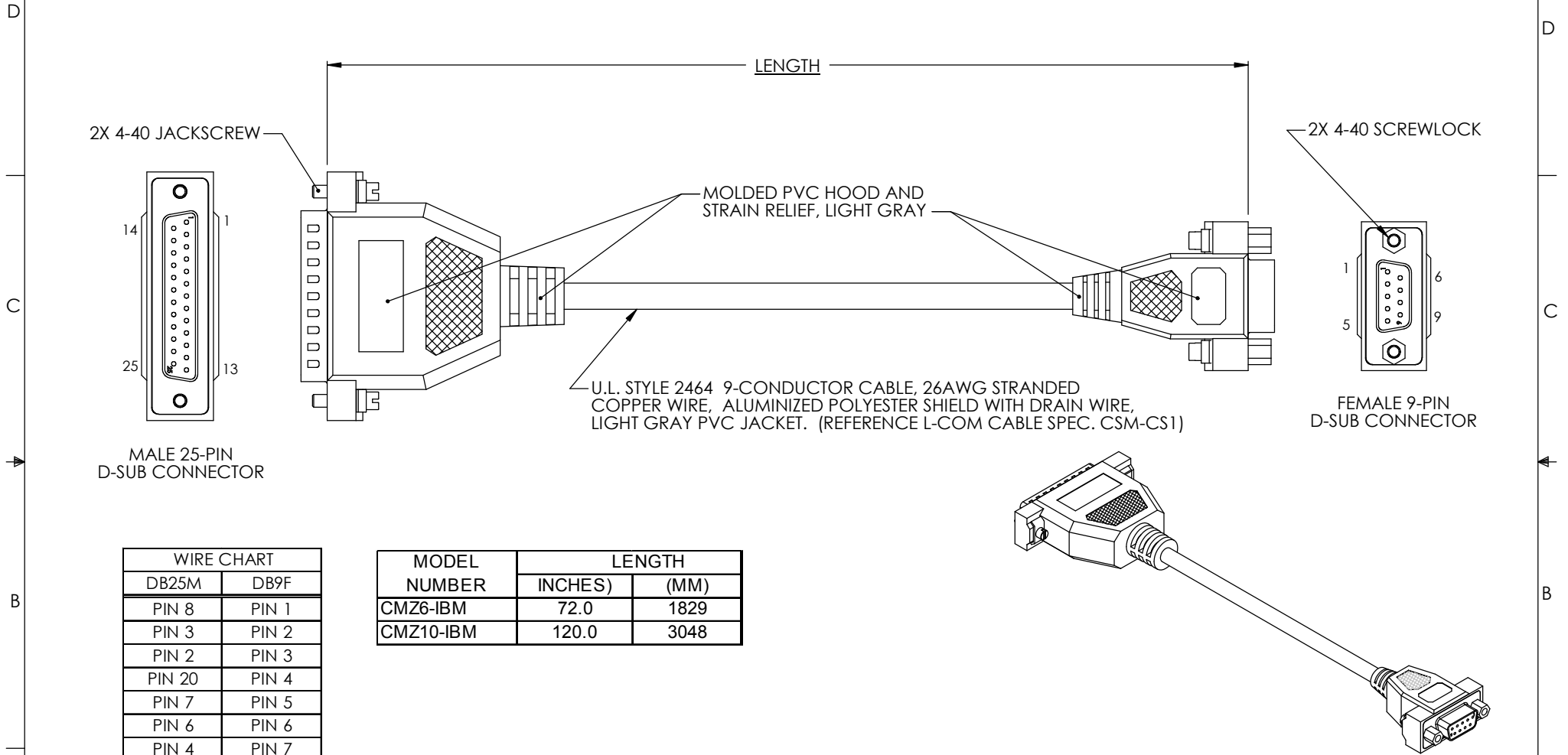


THE INFORMATION CONTAINED IN THIS DRAWING IS THE SOLE PROPERTY OF L-COM, INC. ANY REPRODUCTION IN PART OR WHOLE WITHOUT THE WRITTEN PERMISSION OF L-COM, INC. IS PROHIBITED.

| REVISIONS | | | |
|-----------|-------------------------|---------|----------|
| REV | DESCRIPTION | DATE | APPROVED |
| A | RELEASED FOR PRODUCTION | 11/5/01 | T CLARK |
| . | . | . | . |
| . | . | . | . |
| . | . | . | . |



U.L. STYLE 2464 9-CONDUCTOR CABLE, 26AWG STRANDED COPPER WIRE, ALUMINIZED POLYESTER SHIELD WITH DRAIN WIRE, LIGHT GRAY PVC JACKET. (REFERENCE L-COM CABLE SPEC. CSM-CS1)

| WIRE CHART | |
|------------|-------|
| DB25M | DB9F |
| PIN 8 | PIN 1 |
| PIN 3 | PIN 2 |
| PIN 2 | PIN 3 |
| PIN 20 | PIN 4 |
| PIN 7 | PIN 5 |
| PIN 6 | PIN 6 |
| PIN 4 | PIN 7 |
| PIN 5 | PIN 8 |
| PIN 22 | PIN 9 |
| SHELL | SHELL |

| MODEL NUMBER | LENGTH | |
|--------------|---------|------|
| | INCHES) | (MM) |
| CMZ6-IBM | 72.0 | 1829 |
| CMZ10-IBM | 120.0 | 3048 |

- NOTES:
- INTERNAL 360° FOIL SHIELDS IN CONNECTOR HOODS ARE CONNECTED TO THE CABLE DRAIN WIRE AND CONNECTOR FRAMES.
 - CONNECTOR PINS ARE GOLD PLATED.

UNLESS OTHERWISE SPECIFIED, DIMENSIONS ARE IN INCHES. TOLERANCES ARE:
 .X ±.1
 .XX ±.05
 .XXX ±.005
 CABLE LENGTH TOLERANCE
 <300" ±5% >300" ±2%

| APPROVALS | DATE |
|----------------------------|-----------|
| DRAWN BY T CLARK | 11/2/2001 |
| CHECKED BY D PARHAM | 11/2/2001 |
| APPROVED BY C MCCORMICK | 11/5/2001 |

CONFIGURATION DETAILS OF UNDIMENSIONED FEATURES MAY VARY

L-com
CONNECTIVITY PRODUCTS

45 BEECHWOOD DRIVE
NORTH ANDOVER, MA
01845

PRODUCT DESCRIPTION
AT MODEM CABLE ASSEMBLY

DRAWING TITLE
OUTLINE DRAWING

| | | | |
|------------------|--------------------------|---------------------------------|------------------|
| SIZE A | FSCM NO. 43321 | DWG. NO. CMZ6-IBM-OD1 | REV. A |
| SCALE: NONE | | CAD FILE: CMZ6-IBM-OD1.SLDRW | SHEET 1 OF 1 |