

LFPCN# 41429

Mar 1st 2022

To: Valued customers

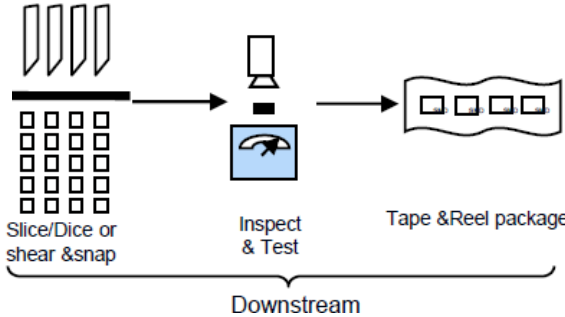
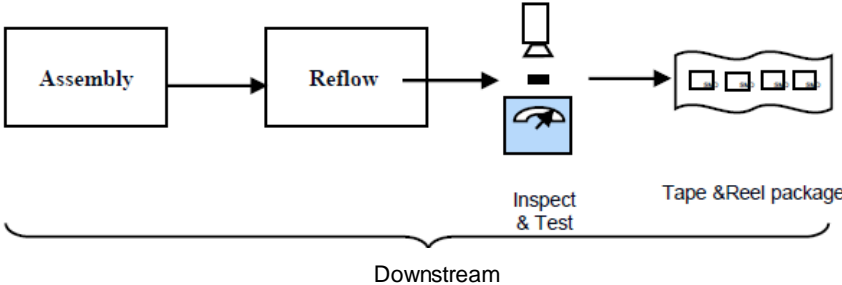
From: Littelfuse Product Management

Subject: Downstream Manufacturing Site Change for PolySwitch® Surface Mountable PPTC

As part of production integration plan, Littelfuse is going to move downstream manufacturing site for PolySwitch® Surface Mountable PPTC to Littelfuse Kunshan plant from Littelfuse Shanghai plant.

Please kindly refer to below for details.

Affected manufacturing process

Product family	Affected Process
<p>MINI SMD PPTC and Zepto 0201</p>	
<p>Termina SMD and TS series</p>	

Affected product families and series

Product Family	Series Name	Product Family	Series Name
MINI SMD	ZeptoSMDC	MINI SMD	MiniASMDC
MINI SMD	FemtoSMDC	MINI SMD	DECASMDC
MINI SMD	PicoSMDC	MINI SMD	SMDC
MINI SMD	PicoASMDC	MINI SMD	ASMDC
MINI SMD	NanoSMDC	Terminal SMD	SMD
MINI SMD	NanoASMDC	Terminal SMD	ASMD
MINI SMD	MicroSMD	Terminal SMD	AHS
MINI SMD	MicroASMD	TLINE	TS
MINI SMD	MiniSMDC		

Timeframe

The new site will start to build parts from **Jan 15th 2023**. Customers could expect parts from Littelfuse Kunshan plant after Jan 15th 2023 once stock depleted.

All affected products will be fully qualified in new site in accordance with established performance and reliability criteria. Full qualification data and/or samples will be available upon request.

Should you have any query about this change, please contact your local Littelfuse sales office or Littelfuse authorized distributor.

Best regards,

Stephen Li
 Global Product Manager
 Littelfuse Shanghai Ltd.
Sli2@Littelfuse.com