

**PLEASE CHECK WWW.MOLEX.COM FOR LATEST PART INFORMATION**

**Part Number:** [0859993255](#)  
**Status:** **Active**  
**Overview:** Magnetic and Modular Jacks/Plugs  
**Description:** Blind Plug Dust Cover for 8 Position Modular Jack

**Documents:**

[3D Model](#) [RoHS Certificate of Compliance \(PDF\)](#)  
[Drawing \(PDF\)](#)

**General**

Product Family	Accessories
Series	<a href="#">90075</a>
Component Type	Dust Cover
Overview	<u>Magnetic and Modular Jacks/Plugs</u>
Product Name	RJ45
UPC	800754859783

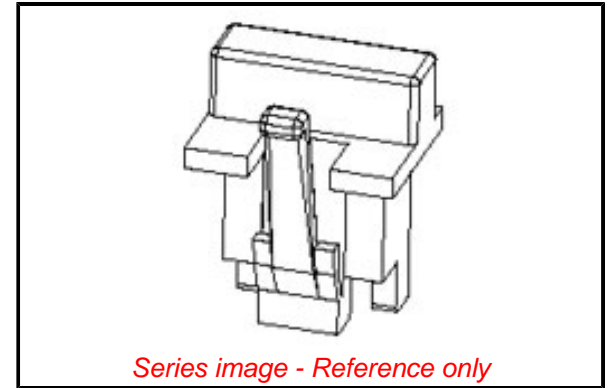
**Physical**

Circuits (Loaded)	8
Circuits (maximum)	8
Net Weight	1.350/g
Packaging Type	Bag
Temperature Range - Operating	-40° to +80°C

**Material Info**

**Reference - Drawing Numbers**

Sales Drawing	SD-85999-056-001
---------------	------------------



**EU ELV**

**Not Relevant**

**EU RoHS**

**Compliant**

**REACH SVHC**

Not Contained Per  
-ED/88/2018 (15  
January 2019)

**Halogen-Free**

**Status**

**Low-Halogen**

For more information, please visit [Contact US](#)

China ROHS

ELV

RoHS Phthalates

**China RoHS**

Green Image

Not Relevant

Not Contained

**Search Parts in this Series**

[90075 Series](#)

**Use With**

8 Position Modular Jacks