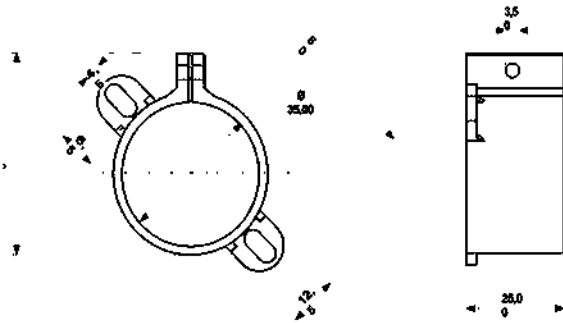
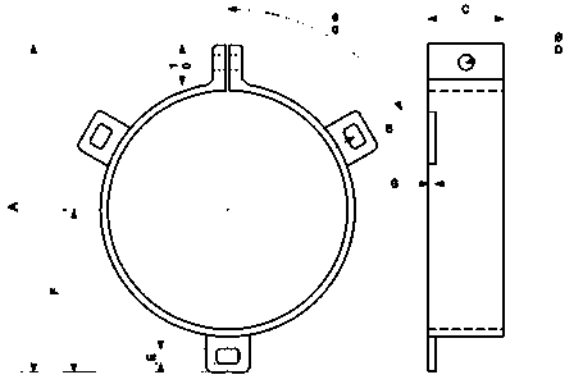


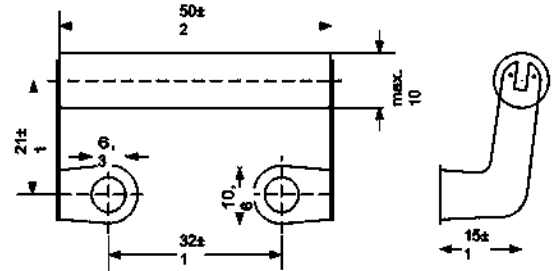
■ NYLON CLAMPS

- Can diameter e.g. 35mm
- Order code: NRS 35



■ DISCHARGE / BALANCING RESISTOR

- Resistor for discharge and/or voltage balancing
- Suitable for can diameter 65/75/90 mm
- Other values on request



Order Code	Can Ø	A	B	C	D	E	F	G
NRS 35	35	60		25	3,5	4,5		2,5
NRS 50	50	74	32	25	4	4,7	37	2,5
NRS 65	65	87	38,5	25	4	4,7	43,5	2,5
NRS 75	75	100	45	25	4	4,7	50	2,5
NRS 90	90	115	60	25	4	4,7	65	2,5

Material: Nylon
All dimensions in mm