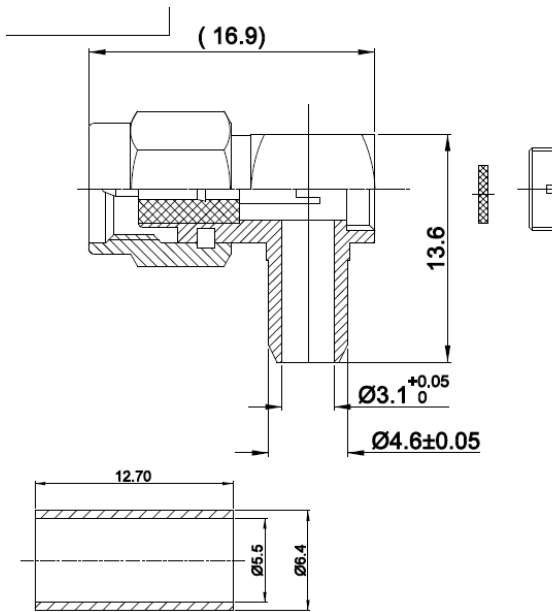


DATASHEET

SMA Plug For Crimping RG58/195, Right angle

Version 03/17

Item no. : 1493155



Tolerance ± 0.1

Impedance	50Ω
Insulation resistance	500 MΩ
Frequency	Max. 4 GHz
Cable O.D.	4.95 mm
Material.....	Brass, Gold Plated
Operation Temperature/ Humidity	-20°C to 70°C, 10% - 90%
Storage Temperature/ Humidity	-20°C to 70°C, 10% - 90%

This is a publication by Conrad Electronic SE, Klaus-Conrad-Str. 1, D-92240 Hirschau (www.conrad.com).
 All rights including translation reserved. Reproduction by any method, e.g. photocopy, microfilming, or the capture in electronic data processing systems require the prior written approval by the editor. Reprinting, also in part, is prohibited. This publication represent the technical status at the time of printing.
 © Copyright 2016 by Conrad Electronic SE.