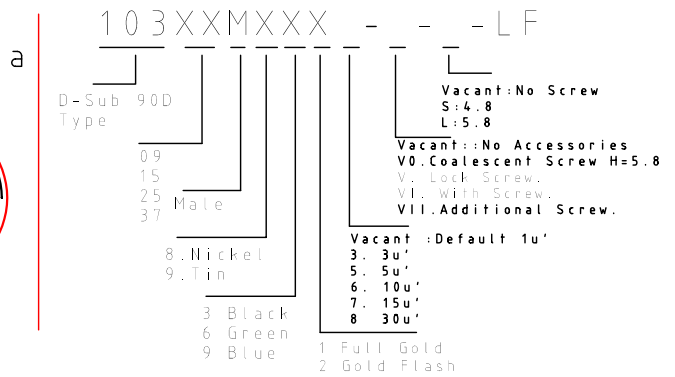
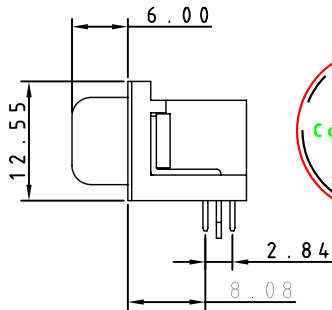
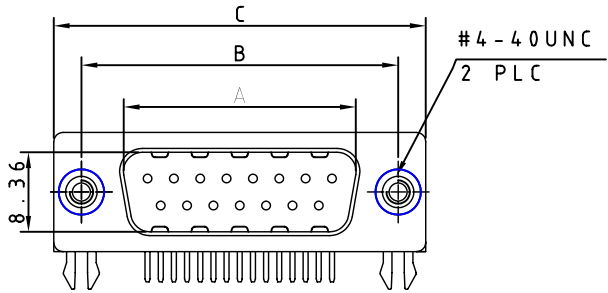


1 2 3 4 5 6 7 8

RevNo _____ Date _____ Signature _____ Checked _____

A

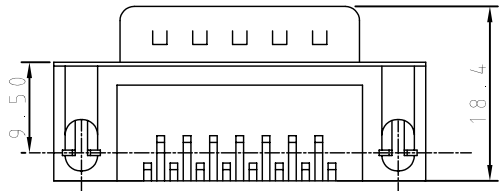


A

B

B

C



Note :

No.	A	B	C
09	16.92	24.99	30.81
15	25.25	33.32	39.14
25	38.96	47.04	53.04
37	55.42	63.50	69.32

b ELECTRICAL CHARACTERISTICS

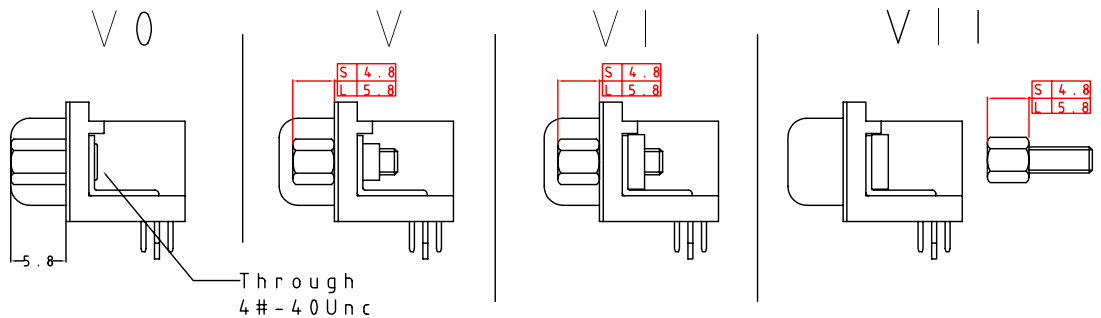
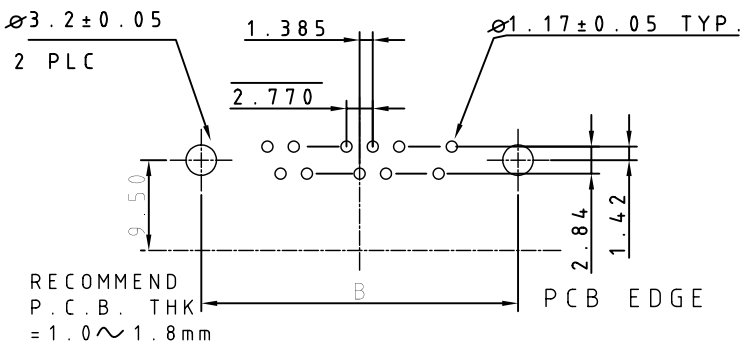
Contact Current Rating: 3Amperes.
 Dielectric Withstanding Voltage: AC 500V/60sec.r.m.s
 Insulation Resistance: 1000Megohms Minimum.at DC 500V.
 Contact Resistance: 25 Milliohms Maximum.
 Operating Temperature: -55°C to +105°C

c MATERIALS

Contact: Copper Alloy.
 Insulator: PBT.
 Shell: SPCC.
 Z-Piece: Copper Alloy.
 Screw: Copper Alloy.
 Rivit: Copper Alloy Or Zinc.

D

D



F

F

DRAW. BY	LinHaiFong	DATE	2005-01-23	UNIT	MM	GENERAL TOLERANCE	.X ±0.30 ANG: ±2° .XX ±0.25 .XXX ±0.15	ChinShong Enterprise CO., LTD	ITEM	D-SUB Male 90D/7.2
APPVL. BY		VERSION	A	SCALE	Free	DWG. No	F: /XX/DR/ +		PART No.	
									CUSTOMER	

1 2 3 4 5 6 7 8