

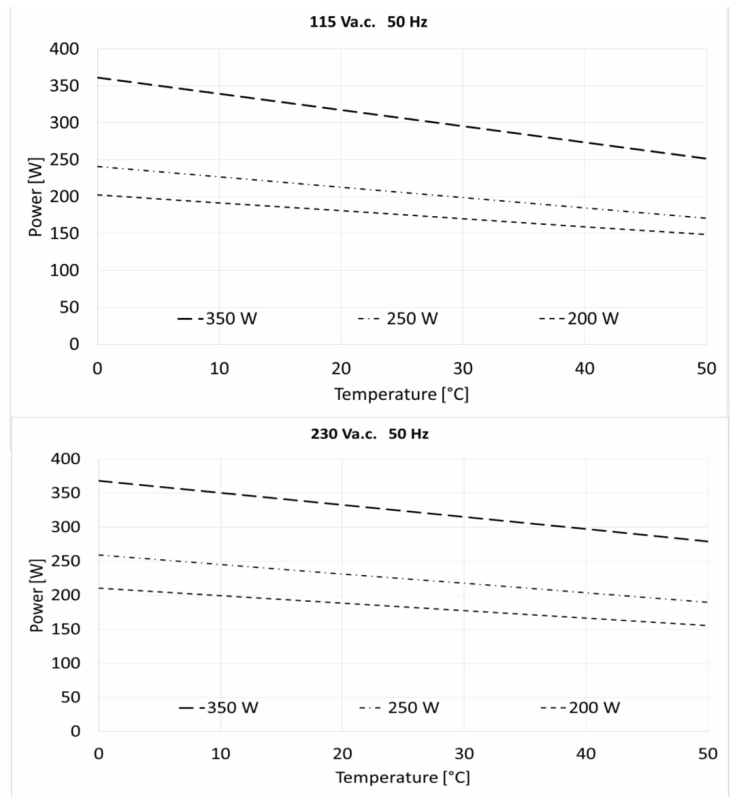
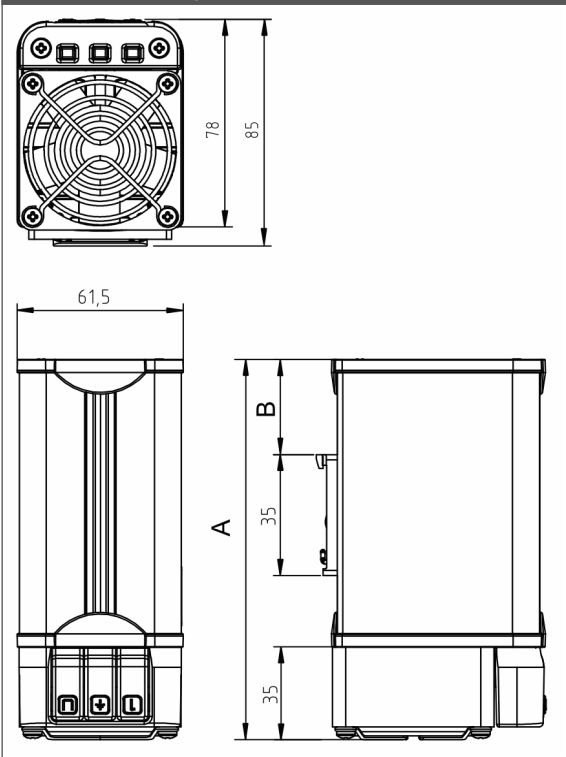
"HVMS-T(HP)" VENTILATED HEATERS

Description: **metal cover TP**
200/250/350W



Heating element: PTC thermistor, self regulating
Overheat protection Integrated bi-metal thermal protector
Heat sink: black anodised extruded aluminium profile
Cover material: black anodised aluminium
Method of mounting: snap-on fixing on RAIL 35mm EN 50022
Fitting position Vertical
Rated temperature range: from -10°C to +50°C
Storage temp. range from -40°C to +70°C
Protection degree by heaters: IP20
Electrical connection: by 3 poles terminal L-N-PE
3 clamps for solid or fine stranded wire
0.5 ÷ 2.5mm² (20 ÷ 16 AWG)
Appliance class: class I
Rated frequency: 50/60 Hz
Max voltage: 125 Va.c. for 115 Va.c. models; 250 Va.c. for 230 Va.c. models
Applicable standards: EN 60335-1
Approvals: CE; cURus certified till max 50°C

technical drawing



Model	Dimension		Heating Power [W]	Absorbed Current* [mA]	Rated voltage [V]	Weight [Kg]	Approvals
	A [mm]	B [mm]					
HVMS200THP-115	143	40	200	1,500	115 V a.c.	0.550	CE;
HVMS200THP-230	143	40	200	820	230 V a.c.	0.550	CE;
HVMS250THP-115	193	65	250	1,760	115 V a.c.	0.700	CE;
HVMS250THP-230	193	65	250	980	230 V a.c.	0.700	CE;
HVMS350THP-115	243	90	350	2,580	115 V a.c.	0.900	CE;
HVMS350THP-230	243	90	350	1,400	230 V a.c.	0.900	CE;

*The values of absorbed current were obtained at 50Hz and at ambient temperature condition of 25±5°C at steady state. These values have an uncertainty of 10%.

All specifications, data and drawing are subject to change without notice and are approximate. Please refer to our terms of sales including our warranty and limited liabilities clause.