

SIMONWORK BT6 PRO TANDEM

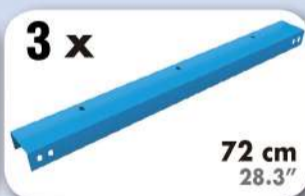
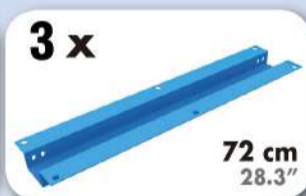
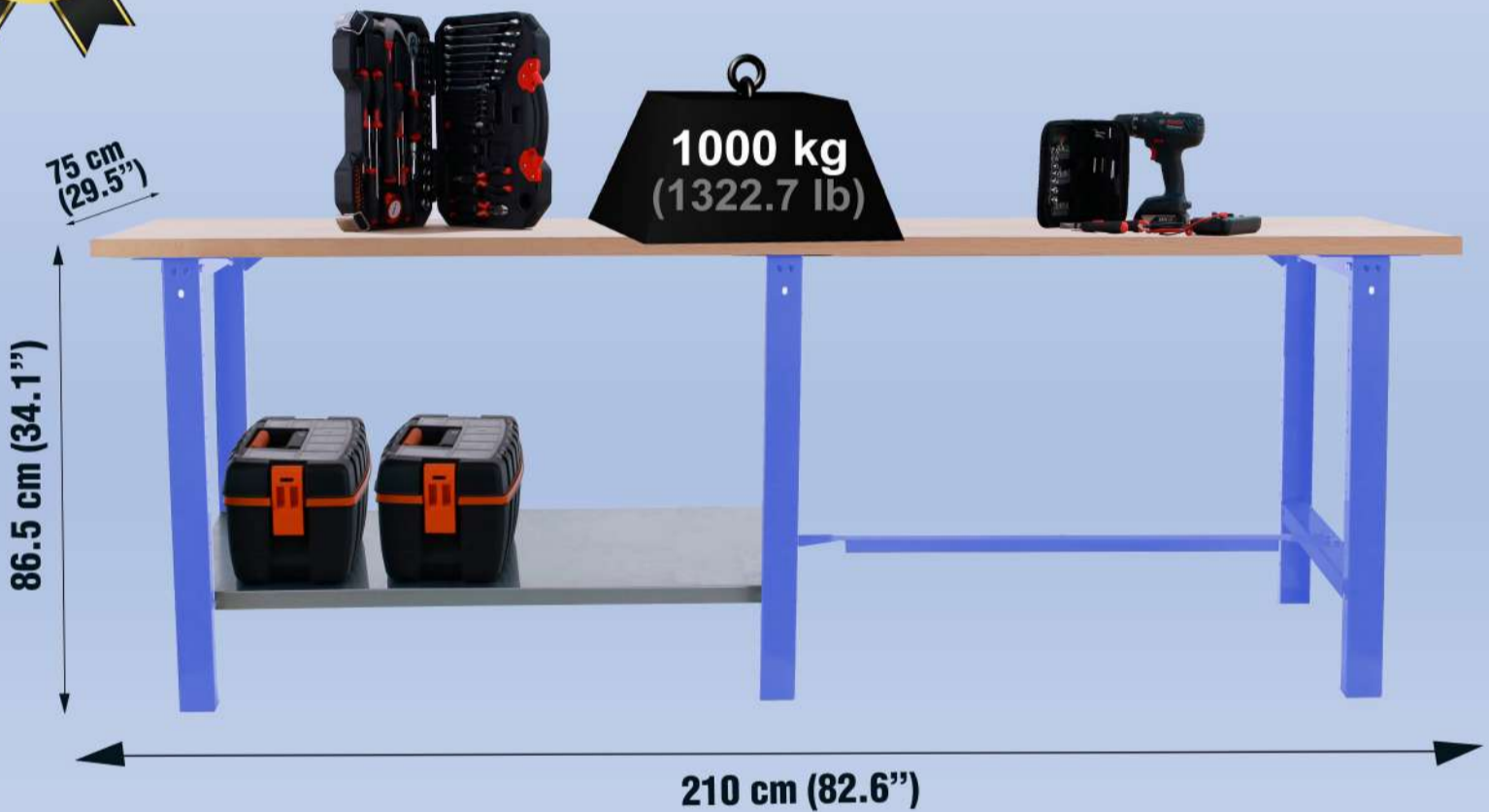


86.5 x 210 x 75 cm
34" x 82.6" x 29.5"

Laminate



5 Años Garantía
Years Guarantee
Jahre Garantie
Ans Garantie
Anos de Garantia
SIMONRACK



**Simon
Rack**
SINCE 1964 - MANUFACTURER



ESTANTERIAS SIMON S.L. B.50.556.463
PG. ALFAMEN C/ POLIGONO C. Nº3
ALFAMEN (ZARAGOZA)



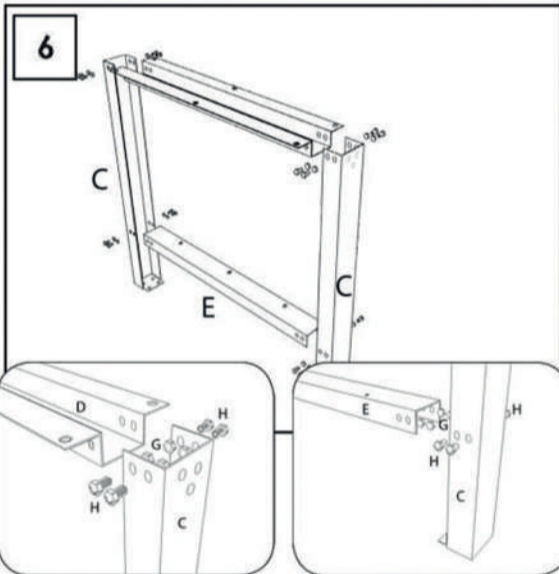
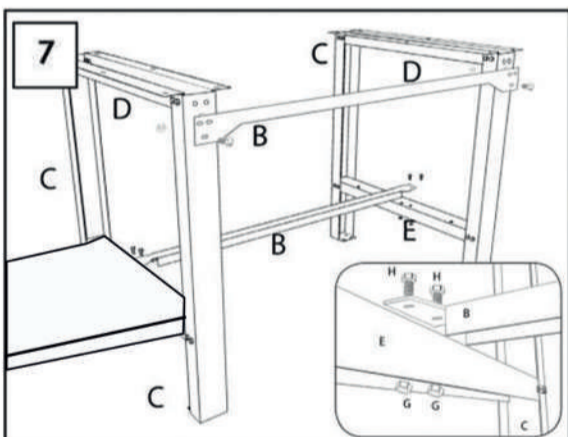
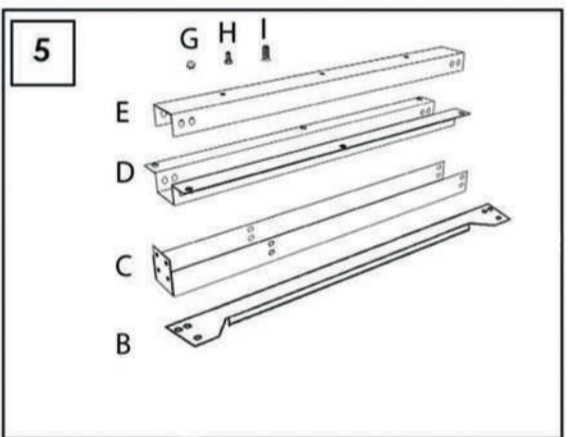
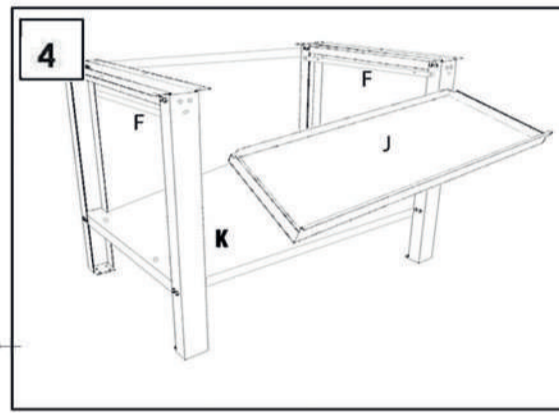
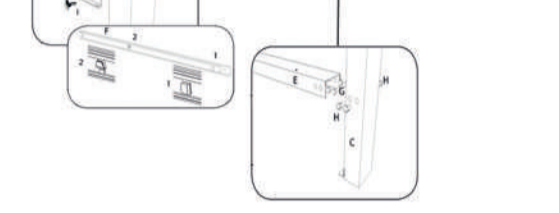
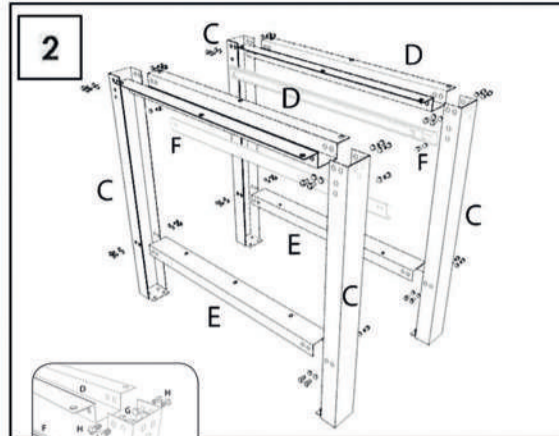
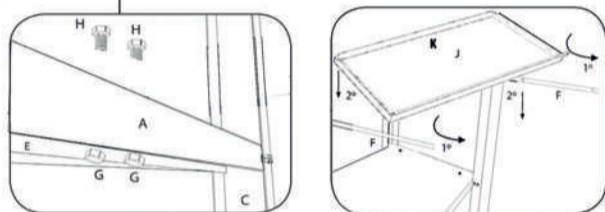
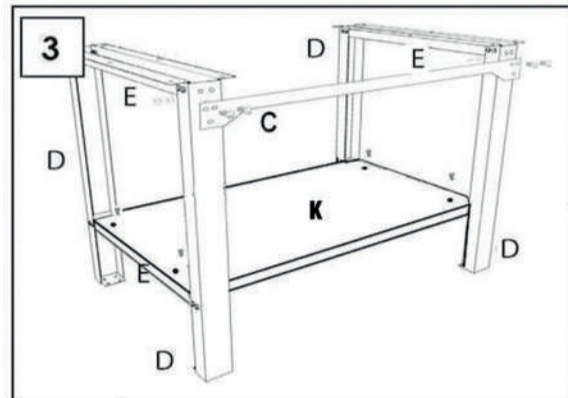
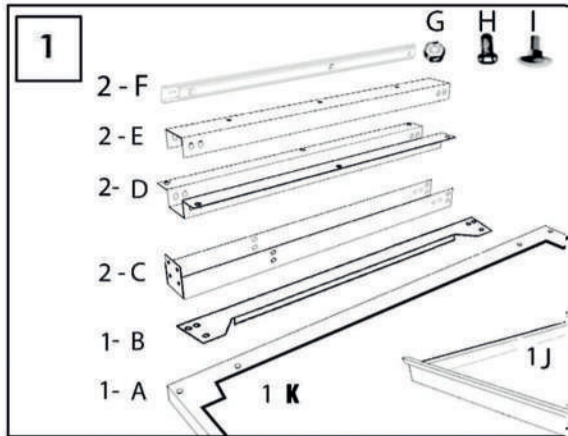
www.simonrack.com



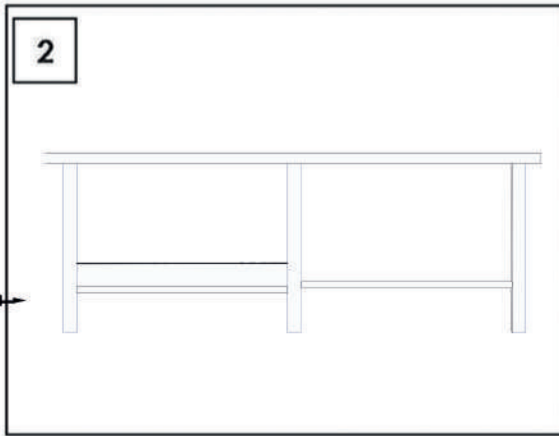
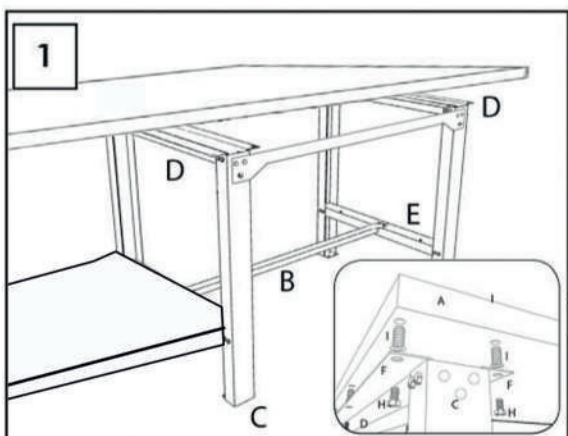
INSTRUCCIONES
INSTRUCTIONS
ANLEITUNG
INSTRUCTIONS

SIMONWORK BT6 PRO TANDEM

BT6 PRO TANDEM BOX



TOP



SIMONCLASSIC

BOLTS SYSTEM

Up to: 150 Kg./Shelf

Uniformly Distributed Load



SIMONCLICK

NO BOLTS SYSTEM

Up to: 275 Kg./Shelf

Uniformly Distributed Load



SIMONOFFICE

NO BOLTS SYSTEM

Up to: 275 Kg./Shelf

Uniformly Distributed Load



SIMONTALLER

NO BOLTS SYSTEM

Up to: 600 Kg./Shelf

Uniformly Distributed Load



BANCOS DE TRABAJO

Up to: 800 Kg./Shelf

Uniformly Distributed Load



SIMONHOME

Up to: 150 Kg./Shelf

Uniformly Distributed Load



TAQUILLAS



SIMONTITÁN

NO BOLTS SYSTEM

Up to: 900 Kg./Shelf

Uniformly Distributed Load



SIMONINOX

NO BOLTS SYSTEM

Up to: 900 Kg./Shelf

Uniformly Distributed Load



SIMONPALET

Up to: 4500 Kg./Shelf

Uniformly Distributed Load



SIMONLEVER

Up to: 4500 Kg./Shelf

Uniformly Distributed Load



ALTILLOS Y PASILLOS ELEVADOS

