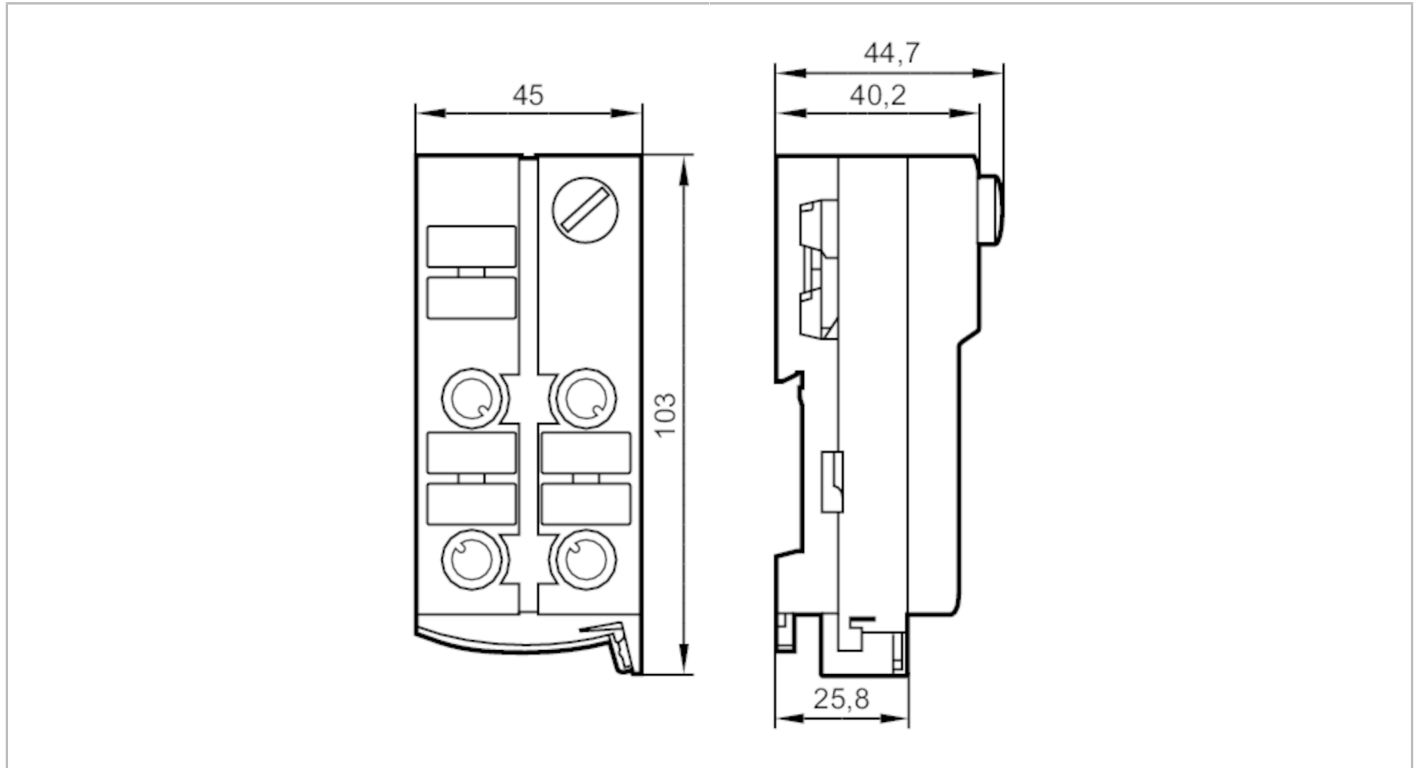


AC5290



AS-Interface ClassicLine module with quick mounting technology

ClassicLine 4DI-Y AUX IP67



Electrical data	
Operating voltage	[V] 26.5...31.6 DC; ("supply class 2" to cULus)
Max. current consumption from AS-i	[mA] 30
Inputs / outputs	
Number of inputs and outputs	Number of digital inputs: 4
Inputs	
Number of digital inputs	4
Input circuit of digital inputs	PNP
Sensor supply of the inputs	to PELV
Voltage supply	[V] 20...30; (via flat cable)
Max. total current rating of inputs	[mA] 1000
Input current High	[mA] 6...10
Input current Low	[mA] 0...2
Min. switching level high signal	[V] 11
Digital inputs protected against short circuits	yes
Operating conditions	
Ambient temperature	[°C] -25...70
Protection	IP 67



AS-Interface ClassicLine module with quick mounting technology

ClassicLine 4DI-Y AUX IP67

Tests / approvals																															
EMC	EN 50295 IEC 61000-6-2																														
MTTF [years]	225																														
AS-i classification																															
AS-i version	2.11 + 3.0																														
AS-i addressing	addressing socket																														
Extended addressing mode possible	yes																														
AS-i profile	S-0.A.E																														
AS-i I/O configuration [hex]	0																														
AS-i ID code [hex]	A.E																														
AS-i certificate pending	yes																														
Assignment of the data bits	<table border="1"> <thead> <tr> <th>data bit</th> <th>D0</th> <th>D1</th> <th>D2</th> <th>D3</th> </tr> </thead> <tbody> <tr> <td>input</td> <td>1</td> <td>2</td> <td>3</td> <td>4</td> </tr> <tr> <td>socket</td> <td>I-1/2</td> <td>I-1/2 I-2</td> <td>I-3/4</td> <td>I-3/4 I-4</td> </tr> <tr> <td>pin</td> <td>4</td> <td>2 4</td> <td>4</td> <td>2 4</td> </tr> </tbody> </table>	data bit	D0	D1	D2	D3	input	1	2	3	4	socket	I-1/2	I-1/2 I-2	I-3/4	I-3/4 I-4	pin	4	2 4	4	2 4										
	data bit	D0	D1	D2	D3																										
	input	1	2	3	4																										
	socket	I-1/2	I-1/2 I-2	I-3/4	I-3/4 I-4																										
pin	4	2 4	4	2 4																											
Assignment of the parameter bits	<table border="1"> <thead> <tr> <th>parameter bit</th> <th>Designation</th> <th></th> <th></th> <th></th> <th></th> </tr> </thead> <tbody> <tr> <td>P0</td> <td>not used</td> <td></td> <td></td> <td></td> <td></td> </tr> <tr> <td>P1</td> <td>peripheral fault indication</td> <td>: 1</td> <td>activated</td> <td>* / 0</td> <td>deactivated</td> </tr> <tr> <td>P2</td> <td>not used</td> <td></td> <td></td> <td></td> <td></td> </tr> <tr> <td>P3</td> <td>not used</td> <td></td> <td></td> <td></td> <td></td> </tr> </tbody> </table>	parameter bit	Designation					P0	not used					P1	peripheral fault indication	: 1	activated	* / 0	deactivated	P2	not used					P3	not used				
	parameter bit	Designation																													
	P0	not used																													
	P1	peripheral fault indication	: 1	activated	* / 0	deactivated																									
	P2	not used																													
P3	not used																														
Mechanical data																															
Weight [g]	173																														
Type of mounting	AS-i flat cables directly connectable																														
Materials	PA; piercing contacts: CuSn6 nickel-plated and tin-plated																														
Displays / operating elements																															
Display	operation	LED, green Voltage AUX > 7 V																													
	errors	LED, red AUX 15 V ± 2 V																													
	function	LED, yellow																													
Accessories																															
Accessories (supplied)	lower part																														
Accessories (optional)	Protective cap: M12, E73004																														
Remarks																															
Pack quantity	1 pcs.																														



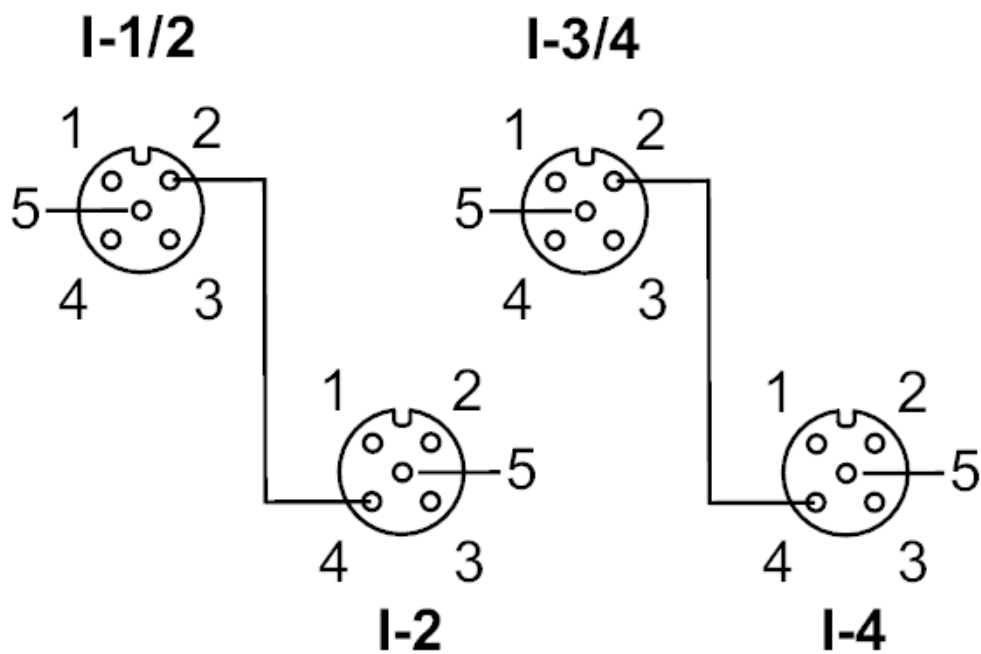
AS-Interface ClassicLine module with quick mounting technology

ClassicLine 4DI-Y AUX IP67

Electrical connection

quick mounting technology for AS-i flat cable: ; three orientations possible

Connection



AC5290



AS-Interface ClassicLine module with quick mounting technology

ClassicLine 4DI-Y AUX IP67

	Inputs
	socket I-1/2
1	Sensor supply L+
2	data input 2
3	Sensor supply L-
4	data input 1
5	not used
	socket I-2
1	Sensor supply L+
2	not used
3	Sensor supply L-
4	data input 2
5	not used
	socket I-3/4
1	voltage supply L+
2	data input 4
3	Sensor supply L-
4	data input 3
5	not used
	socket I-4
1	Sensor supply L+
2	not used
3	Sensor supply L-
4	data input 4
5	not used

Connector: M12