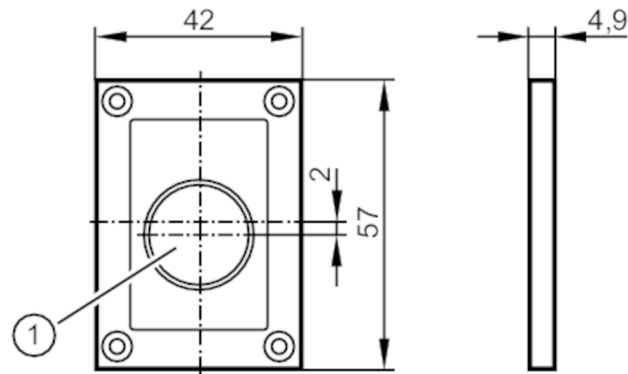


E21172



Daylight filter for vision sensors

DAYLIGHT FILTER FOR O2D IR



1 filter

Mechanical data

Weight	[g]	41
Dimensions	[mm]	57 x 42 x 4.9
Materials		housing: diecast zinc black; lens: PMMA; metal ring: aluminium black anodised; Sealing: FPM 75 ±5 Shore A

Remarks

Remarks	filters the short-wave part of the light
Pack quantity	1 pcs.