

Product characteristics

Y connection cable

M12-plug / 2x M8-socket

Free from silicone

Gold-plated contacts

Electrical data

Electrical design

Operating voltage [V]

Current rating [A]

Protection class

Environment

Ambient temperature [°C]

Ambient temperature (moving) [°C]

Protection

Mechanical data

Design

Material body

Material nut

Tightening torque for knurled nut [Nm]

Drag chain suitability

Weight [kg]

Electrical connection

Connection

Sheath colour

Wiring

AC/DC

50 AC / 60 DC

3

III

-25...80, cULus: max. 50 °C

5...80, cULus: max. 50 °C

IP 65 / IP 67 / IP 68 / IP 69K

2 way

plug: PVC orange; Socket: PVC orange; sealing: EPDM

stainless steel 316L / 1.4404

plug: 0.6...1.5* / socket: 0.3...0.5

Bending radius for flexible applications:

min. 10 x cable diameter

max. 3.3 m/s for a horizontal travel

length of 5 m and max. acceleration of

5 m/s²

Travel speed:

Bending cycles:

Torsional strain:

> 1 million

± 180 °/m

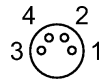
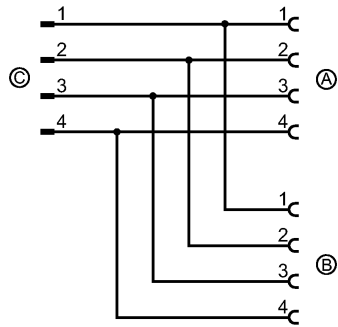
0.072

PVC cable / 0.6 m;

4 x 0.34 mm² (42 x Ø 0.1 mm); Ø 4.9 mm

orange

EVT339 - Y connection cable - eclass: 27279201 / 27-27-92-01



Remarks

Remarks

Pack quantity [piece]

*) Take into account the maximum value of the counterpart!

1