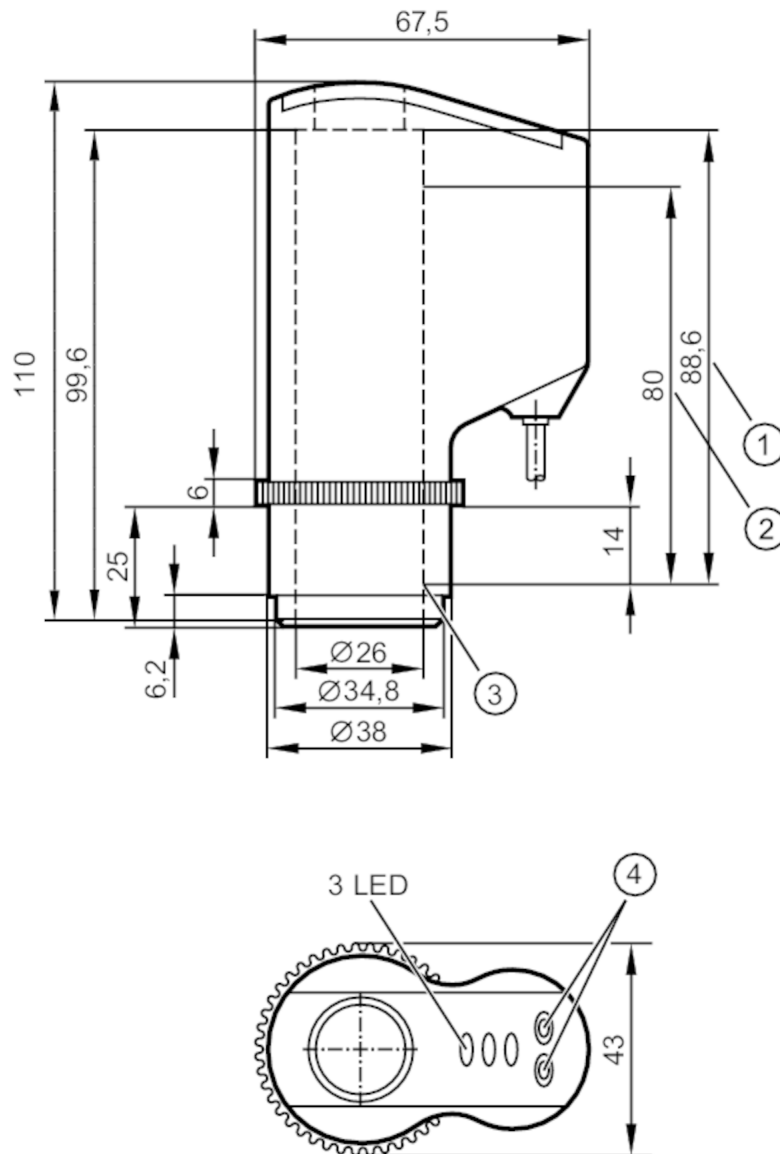


IX5006



Position sensor for rising stem valves

IX-3080-BPKG/3LED



- 1 max. spindle stroke
- 2 measuring distance
- 3 initial value of the measuring range zero point
- 4 programming buttons



Product characteristics

Electrical design	PNP
Output function	3 x normally open
Dimensions [mm]	67.5 x 43 x 110

Application

Application	position feedback for seat valves and diaphragm valves; absolute distance measurement; monitoring of the valve seal
-------------	--

IX5006



Position sensor for rising stem valves

IX-3080-BPKG/3LED

Electrical data		
Operating voltage	[V]	18...36 DC
Current consumption	[mA]	42; (24 V)
Protection class		III
Reverse polarity protection		yes
Max. power-on delay time	[ms]	2000
Outputs		
Electrical design		PNP
Output function		3 x normally open
Max. voltage drop switching output DC	[V]	2.5
Permanent current rating of switching output DC	[mA]	100
Short-circuit protection		yes
Type of short-circuit protection		pulsed
Overload protection		yes
Detection zone		
Measuring range	[mm]	0...80
Max. target speed	[m/s]	1
Resolution of valve stroke	[mm]	0.2
Target		cylindrical disc
	-	Ø 24 mm ±0,05 mm
	-	minimum height 10 mm
	-	flat surface
	-	stainless steel to DIN17440, material number 316S12.
Software / programming		
Parameter setting options		3 switch points to be freely defined within the measuring range
Operating conditions		
Ambient temperature	[°C]	-25...85
Note on ambient temperature		for firmly laid cable
Protection		IP 65; IP 67; (only in conjunction with an installation in the valve head that provides sufficient protection against mechanical damage of the sensor)
Tests / approvals		
EMC	EN 61000-4-2 ESD	4 kV CD / 8 kV AD
	EN 61000-4-3 HF radiated	10 V/m
	EN 61000-4-4 Burst	2 kV coupling clamp
	EN 61000-4-6 HF conducted	3 V
MTTF	[years]	298
Mechanical data		
Weight	[g]	217
Dimensions	[mm]	67.5 x 43 x 110
Materials		PA; TPE; PP; LCP

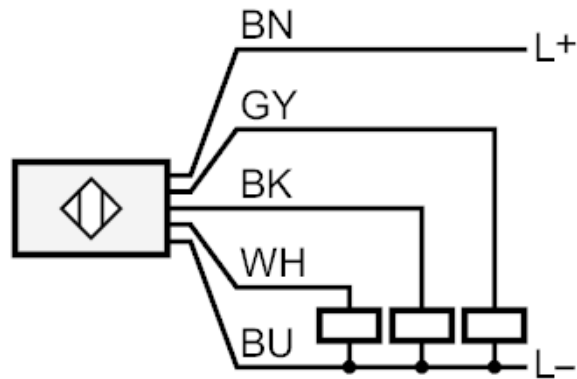
IX5006



Position sensor for rising stem valves

IX-3080-BPKG/3LED

Displays / operating elements		
Display	switching status	1 x LED, green open
	switching status	1 x LED, yellow seat
	switching status	1 x LED, red close
Accessories		
Accessories (supplied)	mounting clamps: 1	
Remarks		
Pack quantity	1 pcs.	
Electrical connection		
Cable: 2 m, PVC; 5 x 0.14 mm ²		
Connection		



black	OUT 1 seat
white	OUT 2 close
grey	OUT 3 open
Core colours :	
BK =	black
BN =	brown
BU =	blue
GY =	grey
WH =	white