

MASI67 I/O MODULE

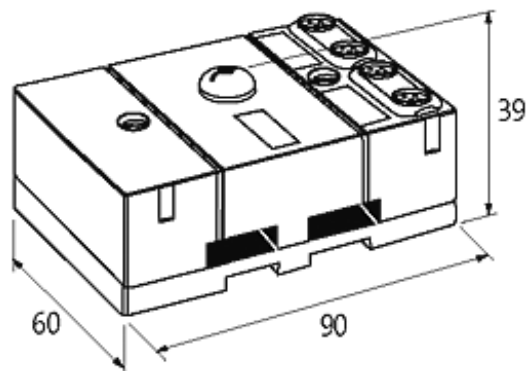
4 digital inputs

Digital inputs
DI4 - 0.2 A (AB) 4×M8

For connection cables please see chapter "Connection Technology" Housing fully potted.

[Link to Product](#)

Illustration



Product may differ from Image

Approvals



Input

Type	for 3-wire sensors or mechanical switches, PNP, (EN 61131-2)
Sensor supply US	max. 200 mA from AS-Interface (short-circuit and overload protected)

Technical Data

Bus voltage (AS-Interface)	26.5...31.6 V DC
Total current (AS-Interface)	max. 250 mA
Addressing	via built-in address port or master
Address range	1...62 (1...31 A or B)
Profile (IO/ID/ID2 code)	S-0.A.0

General data

Protection	IP67
Mounting method	DIN-rail mountable (EN 60715) or screw fixing
Temperature range	-20...+60 °C (storage temperature -20...+70 °C)
Dimensions H × W × D	94×60×39 mm

Diagnostic

Communication status	via LED
Diagnostic via LED	per module
Monitoring - no voltage	yes

Commercial data

country of origin	DE
customs tariff number	85176200
minimum order quantity	1