



COIL CONNECTION MODULE FOR MOTOR CONTACTORS SZ S0+S2, CONNECTION F. TOP SCREW TERMINAL

#### General technical data:

product brand name	SIRIUS
Product designation	Coil connection module
Type of electrical connection	screw-type terminals

#### Certificates/ approvals:

Shipping Approval

other



ABS

[Environmental Confirmations](#)

[Confirmation](#)

#### Further information

**Information- and Downloadcenter (Catalogs, Brochures,...)**

<http://www.siemens.com/industrial-controls/catalogs>

**Industry Mall (Online ordering system)**

<http://www.siemens.com/industrymall>

**Cax online generator**

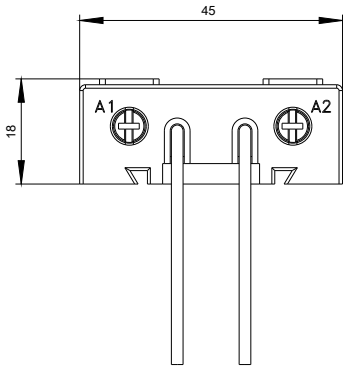
<http://support.automation.siemens.com/WW/CAXorder/default.aspx?lang=en&mlfb=3RT29264RA11>

**Service&Support (Manuals, Certificates, Characteristics, FAQs,...)**

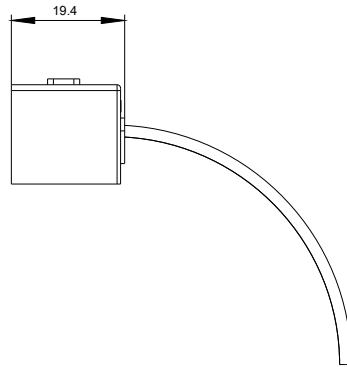
<http://support.automation.siemens.com/WW/view/en/3RT29264RA11/all>

**Image database (product images, 2D dimension drawings, 3D models, device circuit diagrams, EPLAN macros, ...)**

<http://www.automation.siemens.com/bilddb/index.aspx?attID9=3RT29264RA11&lang=en>



last modified:



09.03.2015