



Figure similar

CIRCUIT BREAKER 3VA2 IEC FRAME 400 BREAKING CAPACITY CLASS M ICU=55KA @ 415 V 4-POLE, LINE PROTECTION ETU320, LI, IN=400A OVERLOAD PROTECTION IR=160A ...400A SHORT CIRCUIT PROTECTION II=10 X IN NEUTRAL PROTECTION ADJUSTABLE(OFF,50%,100%) BUSBAR CONNECTION

Model		
product brand name		SENTRON
Product designation		Molded case circuit breaker
Design of the product		Line protection
Product variations		Selective Applications
Ground fault monitoring version		Without
Design of the auxiliary release		without auxiliary release
Design of the auxiliary switch		Without
Design of the operating mechanism		toggle handle
Type of the driving mechanism / motor drive		No
Design of the overcurrent release		ETU320
General technical data		
Number of poles		4
Trip class / of the L-trip / with I²t characteristic / initial value		0.5
Trip class / of the L-trip / with I²t characteristic / Full-scale value		17
Electrical endurance (switching cycles)		6 000
• at AC-1 / at 380/415 V / at 50/60 Hz		
circuit-breaker / Design		3VA
Mechanical service life (switching cycles) / typical		15 000
Voltage		
Insulation voltage / Rated value	V	800
Protection class		

Protection class IP		IP40
Protection class IP / on the front		IP40
Protective function of the overcurrent release		LI

Switching capacity

Switching capacity class of the circuit breaker		M
--	--	---

Dissipation

Active power loss		
<ul style="list-style-type: none"> • maximum 	W	70

Electricity

Continuous current / Rated value / maximum	A	400
Continuous current / Rated value	A	400
Adjustable response value current / of the instantaneous short-circuit release / initial value	A	1.5

Main circuit

Operating voltage		
<ul style="list-style-type: none"> • with AC / at 50/60 Hz / Rated value 	V	690
Operating current		
<ul style="list-style-type: none"> • at 40 °C / Rated value • at 50 °C / Rated value • at 60 °C / Rated value • at 65 °C / Rated value • at 70 °C / Rated value 	A	400 400 380 368 352

Auxiliary circuit

Number of NC contacts / for auxiliary contacts		0
Number of NO contacts / for auxiliary contacts		0

Suitability

Suitability for use		system protection
----------------------------	--	-------------------

Adjustable parameters

Adjustable response value current		
<ul style="list-style-type: none"> • of I-trip / Full-scale value • for N-conductor protection / initial value • for N-conductor protection / Full-scale value 	A	10 50 100
Adjustable response value current / of the current-dependent overload release / initial value	A	0.4

Product details

Product component		
<ul style="list-style-type: none"> • Trip indicator • display • undervoltage release 		No No No

Product property		
<ul style="list-style-type: none"> for neutral conductors / upgradeable/retrofitable / Short-circuit and overload proof 		No
Product expansion / optional / motor drive		Yes

Product function

Product function		
<ul style="list-style-type: none"> Intrinsic device protection 		Yes
<ul style="list-style-type: none"> communication function 		No
<ul style="list-style-type: none"> Phase failure detection 		No
<ul style="list-style-type: none"> other measurement function 		No

Accessories

Manufacturer article number / of the supplied basic switch		3VA2340-5HL42-0AA0
---	--	------------------------------------

Short circuit

Operational short-circuit current breaking capacity (Ics)		
<ul style="list-style-type: none"> at 240 V / Rated value 	kA	85
<ul style="list-style-type: none"> at 415 V / Rated value 	kA	55
<ul style="list-style-type: none"> at 690 V / Rated value 	kA	5
Maximum short-circuit current breaking capacity (Icu)		
<ul style="list-style-type: none"> at 240 V / Rated value 	kA	85
<ul style="list-style-type: none"> at 415 V / Rated value 	kA	55
<ul style="list-style-type: none"> at 690 V / Rated value 	kA	5
Short-circuit current making capacity (Icm)		
<ul style="list-style-type: none"> at 240 V / Rated value 	kA	187
<ul style="list-style-type: none"> at 415 V / Rated value 	kA	121
<ul style="list-style-type: none"> at 690 V / Rated value 	kA	7.5

Connections

Arrangement of electrical connectors / for main current circuit		Front terminal
Type of connectable conductor cross-section		
<ul style="list-style-type: none"> for flat-bar terminal connection / minimum 		20 x 1
<ul style="list-style-type: none"> for flat-bar terminal connection / maximum 		35 x 10
Type of electrical connection / for main current circuit		Lug terminal

Mechanical Design

Height	mm	248
Width	mm	184
Depth	mm	137
Mounting type		fixed mounting

Environmental conditions

Ambient temperature

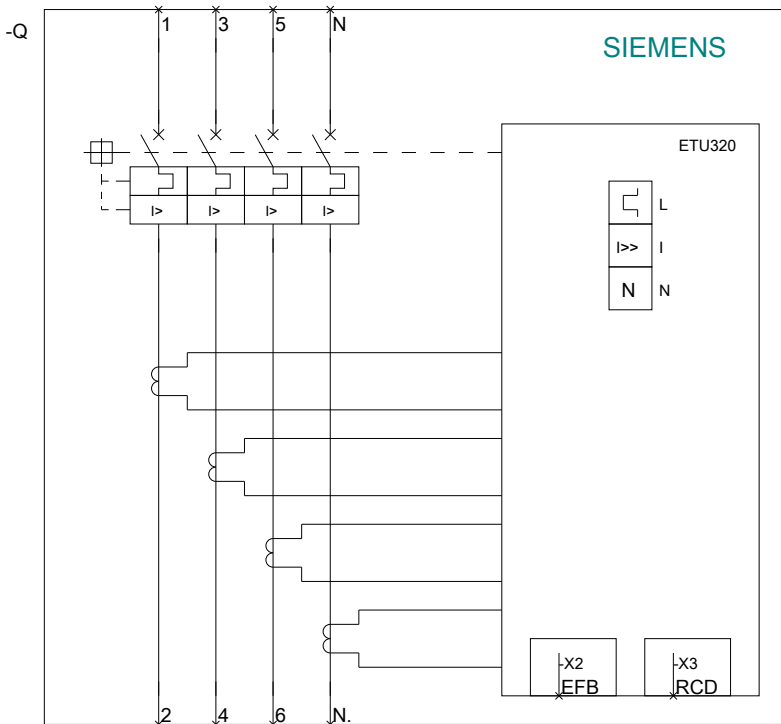
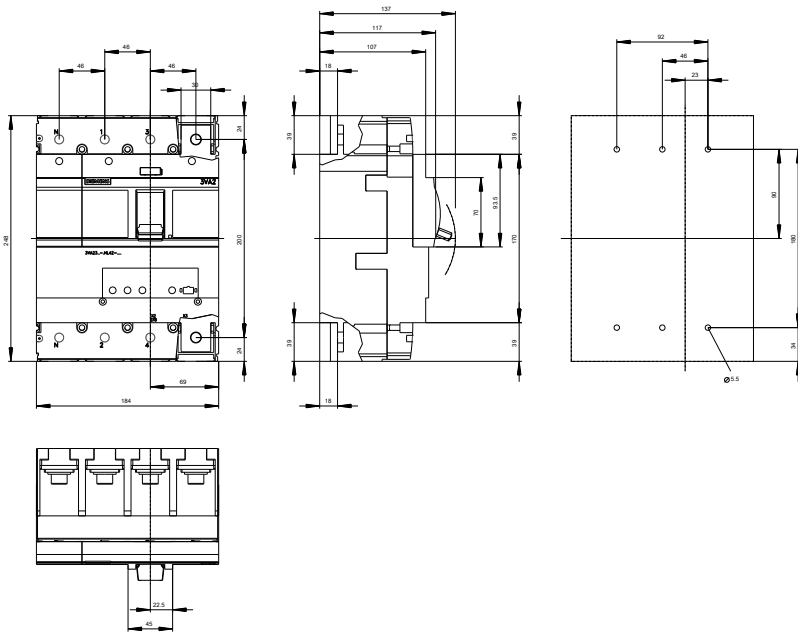
• during operation / minimum	°C	-25
• during operation / maximum	°C	70
• during storage / minimum	°C	-40
• during storage / maximum	°C	80

Certificates**Equipment marking**

• acc. to DIN EN 61346-2		Q
• acc. to DIN EN 81346-2		Q

General Product Approval	EMC	Declaration of Conformity	other
---------------------------------	------------	----------------------------------	--------------

[other](#)[other](#)**Further information****Information- and Downloadcenter (Catalogs, Brochures,...)**<http://www.siemens.com/lowvoltage/catalogs>**Industry Mall (Online ordering system)**<https://eb.automation.siemens.com/mall/en/WW/Catalog/Product/3VA23405HL420AA0>**Service&Support (Manuals, Certificates, Characteristics, FAQs,...)**<http://support.automation.siemens.com/WW/view/en/3VA23405HL420AA0/all>**Image database (product images, 2D dimension drawings, 3D models, device circuit diagrams, ...)**http://www.automation.siemens.com/bilddb/cax_en.aspx?mlfb=3VA23405HL420AA0**CAX-Online-Generator**<http://www.siemens.com/cax>**Tender specifications**<http://ausschreibungstexte.siemens.com/tiplv>



last modified:

11.03.2015