

LED Driver series for lighting

Step-down type

with 1.5A output


BD9207FPS

No.09093EAT01

●Description

BD9207FPS is a LED driver with built-in step-down switching regulator and incorporates the built-in switching MOS EFT of Pch.

Feedback voltage is as low as 0.2V and can suppress the loss on the sense resistance of LED.

It is operated by PWM method with an oscillating frequency of 900 KHz and can use smaller coil than a switching regulator of low-frequency operation.

●Features

- 1) Maximum switching current of 1.5A
- 2) Built-in Pch switching MOS FET for high efficiency
- 3) Low loss because feedback voltage is as low as 0.2V
- 4) High oscillating frequency of 900KHz (Fixed)
- 5) Built-in soft start function
- 6) Built-in overcurrent protection circuit (OCP)
- 7) Built-in thermal shutdown circuit (TSD)
- 8) ON/OFF of output is possible by STBY terminal.
- 9) Compact surface-mount TO252S-5 package

●Applications

- For use in the light sources of PPC
- Printer etc. and the LCD backlights of LED lighting apparatus & monitor
- Note PC etc.

●Absolute maximum ratings (Ta=25°C)

Parameter	Symbol	Rating	Unit
Supply voltage (VCC-GND)	V _{CC}	36	V
STBY-GND Voltage	V _{STBY}	36	V
OUT-GND Voltage	V _{OUT}	36	V
INV-GND Voltage	V _{INV}	5	V
Maximum switching output current.	I _{out}	1.5(*1)	A
Allowable loss	P _d	800(*2)	mW
Operating temperature range	T _{opr}	-20 ~ +85	°C
Storage temperature range	T _{stg}	-55 ~ +150	°C

(*1)Regardless of the listed rating, do not exceeded Pd, ASO or Tjmax=150°C.

(*2) Without heat sink, reducing by the 16 mW every 1°C rise in temperature. (above 25°C)

●Operating range (Ta=-40~+85°C)

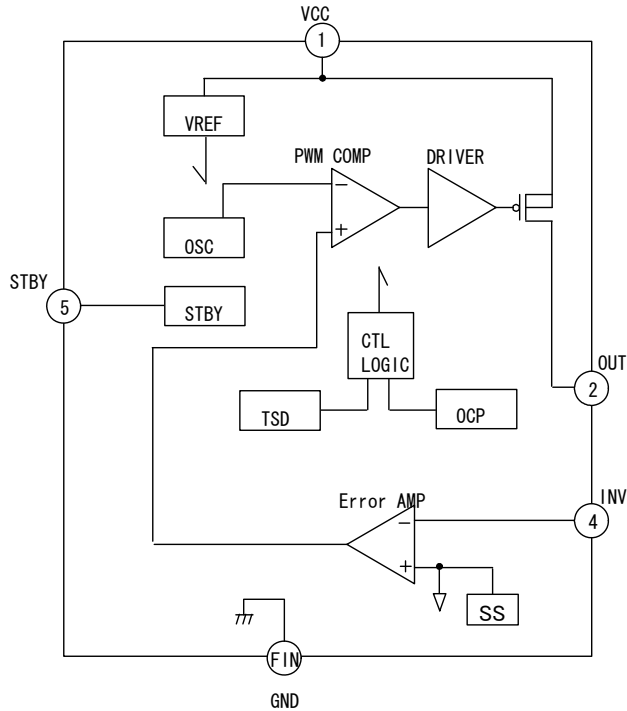
Parameter	Symbol	Limit			Unit	Conditions
		Min.	Typ.	Max.		
Supply voltage	VCC	8.0	-	35.0	V	
Output voltage	Vo	2.5	-	$0.8 \times (VCC - I_{o} \times R_{on})$	V	

●Electrical characteristics (Unless otherwise specified, Ta=25°C, VCC=24V, STBY=3V)

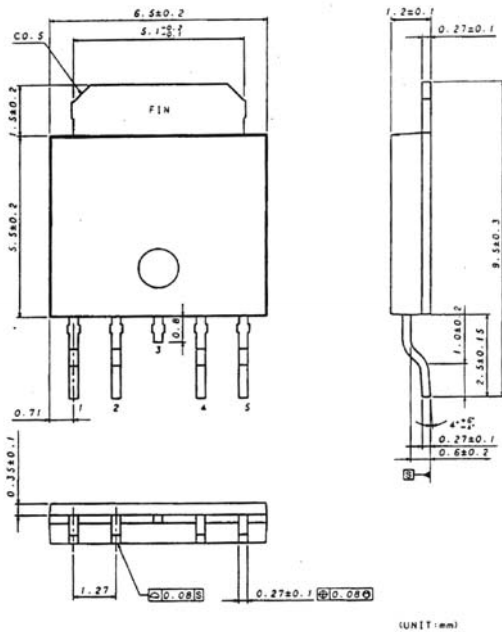
Parameter	Symbol	Limit			Unit	Conditions	
		Min.	Typ.	Max.			
Output MOS ON resistance	Ron	-	1.0	1.5	Ω		
Oscillating frequency	fosc	810	900	990	kHz		
Overcurrent detection current	Iocp	1.6	-	-	A		
INV terminal threshold voltage	VINV	0.194	0.200	0.206	V		
INV terminal bypass current	IINV	-	1	2	μA	VINV=0.2V	
STBY terminal control voltage	ON	VSTBYON	2.0	-	36	V	
	OFF	VSTBYOFF	-0.3	-	0.3	V	
STBY terminal inflow current	Istby	5	15	30	μA	STBY=3V	
Circuit current	Icc	-	5	12	mA		
Standby current	Ist	-	0	5	μA	STBY=0V	
Soft start time	Tss	-	-	10	ms	STBY=0→3V	

Without radiation-proof design.

●Block diagram



●Outline drawing of package



TO252S-5 (Unit : mm)

●Explanation of terminal

Pin No.	Pin Name	Function
1	VCC	Supply voltage terminal
2	OUT	Drain terminal of built-in PMOS FET
3※	OUT	Drain terminal of built-in PMOS FET
FIN	GND	Ground terminal
4	INV	Output voltage feedback terminal
5	STBY	ON/OFF control terminal

※Used normally in open-circuit condition

●Functional explanation of block

- VREF
The constant voltage to be temperature-compensated is created from the voltage inputted from VCC terminal.
- OSC
Triangular wave with an oscillating frequency of 900 KHz is created, as an input of PWM comparator, by built-in resistor and capacitor.
- Error AMP
It detects, at INC terminal, the voltage of sense resistance terminal created by LEC current, and compares it to the reference voltage, and amplifies and outputs the differential voltage.
(The reference voltage is $0.2V \pm 3\%$)
- PWM COMP
PWM COMP converts the output voltage of error amplifier into the pulse-width modulation waveform and outputs it to DRIVER.
- DRIVER
Push-pull FET driver takes in the PWM waveform and directly drives the Pch MOS FET that is built-in in the IC.
- STBY
The ON/OFF control of output is performed by STBY terminal. The output becomes ON if STBY voltage is High level.
- Thermal shutdown circuit (TSD)
TSD circuit protects the IC from runaway thermal operation or heat damage.
TSD circuit detects the temperature of chip, and the circuit becomes off if the temperature reaches 175°C . For TSD detection and release, the hysteresis of 15°C is set, so the malfunction caused by temperature variation is prevented.
- Over Current Protection (OCP)
Out is turned off if the voltage difference between VCC – OUT, caused by the current flowing in the Pch MOS EFT built-in in OCP circuit, is detected and reaches the reference value of OCP. The OCP is not of latch type but of self-return type.
- Soft start circuit (SS)
Soft start time is set by the built-in capacitor connected to SS circuit. The capacitor is charged when STBY terminal becomes High level and the IC is started. The soft start time is set at 4ms or so.

● Selection and setting of application parts

Coil L1

The application efficiency will decrease by the larger serial resistance element of coil. Moreover, because OCP operates by 1.6A(min) or more, so please notice the heat generated by overload output or short.

Please set current ratings of coil with $I_{OUT}(MAX) + \Delta I_L$ or more. $I_{OUT}(MAX)$: maximum load current

If current flows more than ratings current, then coil generates heat, magnetic saturation, and causes oscillation or low efficiency.

Please select the peak current with enough margins not to exceed current rating of coil.

$$\Delta I_L = \frac{(VCC - VOUT)}{L1} \times \frac{VOUT}{VCC} \times \frac{1}{fosc}$$

L1: Coil value, VCC: Input voltage, VOUT: Output voltage, ΔI_L : Ripple current, fosc: Oscillation frequency

When value the efficiency, we recommend C10-H5R(mitsumi). Efficiency will be improved about 1~2%.

Schottky diode D1

Please select Schottky diode with lowest forward voltage VF.

(We can suppress the dissipation of forward voltage descent, and raise the efficiency.)

Diode selection is based on maximum forward current rating, reverse voltage rating and permissible power dissipation of diode.

- The maximum current ratings are assumed more than the value of maximum load current+ coil ripple current (ΔI_L).
- Reverse voltage rating is set to be VIN or more.
- Please choose the smallest one of reverse current IR.

Especially, IR grows at high temperature, and causes thermo runaway.

- Select the diode which permissible power dissipation within ratings.

Diode power dissipation Pdi is shown below.

$$Pdi = I_{OUT}(MAX) \times V_f \times (1 - VOUT/VCC)$$

$I_{OUT}(MAX)$: Load current. V_f : Forward voltage, VOUT: Output voltage, VCC: Input voltage

Output capacitor C1

Select the output capacitor with ESR met the following formula.

$$ESR \leq \Delta V_L / \Delta I_L$$

ΔV_L : Permissible ripple voltage, ΔI_L : Ripple current

Moreover, permissible ripple current effective value of output capacity is calculated by the next formula, and use this value to select the capacitor with enough margins.

$$IRMS = \Delta I_L / 2\sqrt{3}$$

IRMS: Permissible ripple current effective value of output capacity, ΔI_L : Ripple current

Ceramic capacitor must use the one more than B characteristic.

Besides above mentioned, IC might not be normally operated according to the different setting condition of ambient temperature and output voltage.

Moreover, even aluminum electrolytic capacitor can be used, please confirm its operation enough before using it.

Input capacitor C2

Input capacitor built in Pch MOS FET ON is the current supply of coil by FET.

So, please close to IC as near as possible to connect it. Enough margins is taken on setting input capacitor in capacitor withstand voltage and permissible ripple current value. According to the ripple current effective value of input capacitor shown below, select the capacitor with enough permissible ripple current value.

$$IRMS = I_{OUT} \times \sqrt{(1 - VOUT / VCC) \times VOUT / VCC}$$

IRMS: Permissible ripple current value of input capacitor

I_{OUT} : Load current. VOUT: Output voltage, VCC: Input voltage

Resistance R1

LED Current value is set below according to sense resistance R1.

$$I_{LED}[A] = V_{INV}[V] / R1[\Omega]$$

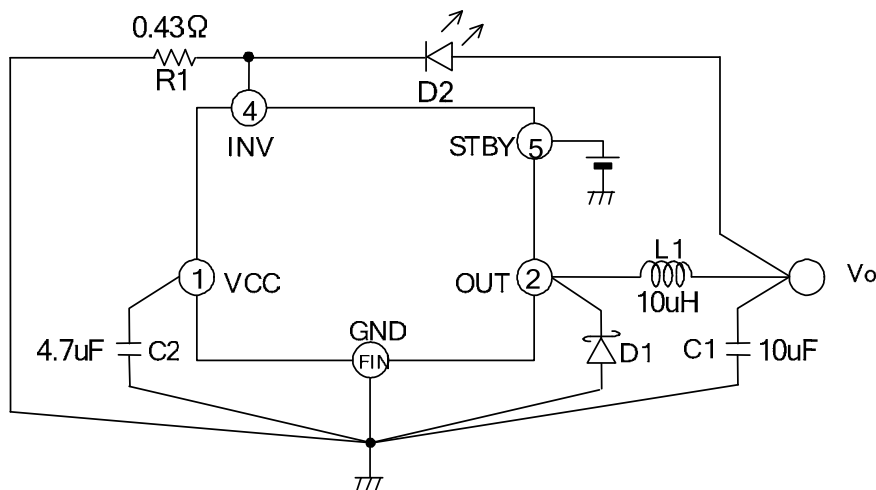
$$= 0.2V / R1[\Omega]$$

Moreover, DCDC Output voltage will be the value below.

$$V_O[V] = V_F(\text{LED Forward voltage}) + V_{INV}[V]$$

$$= V_F + 0.2V(\text{typ})$$

● Recommended circuit example and notes of substrate layout

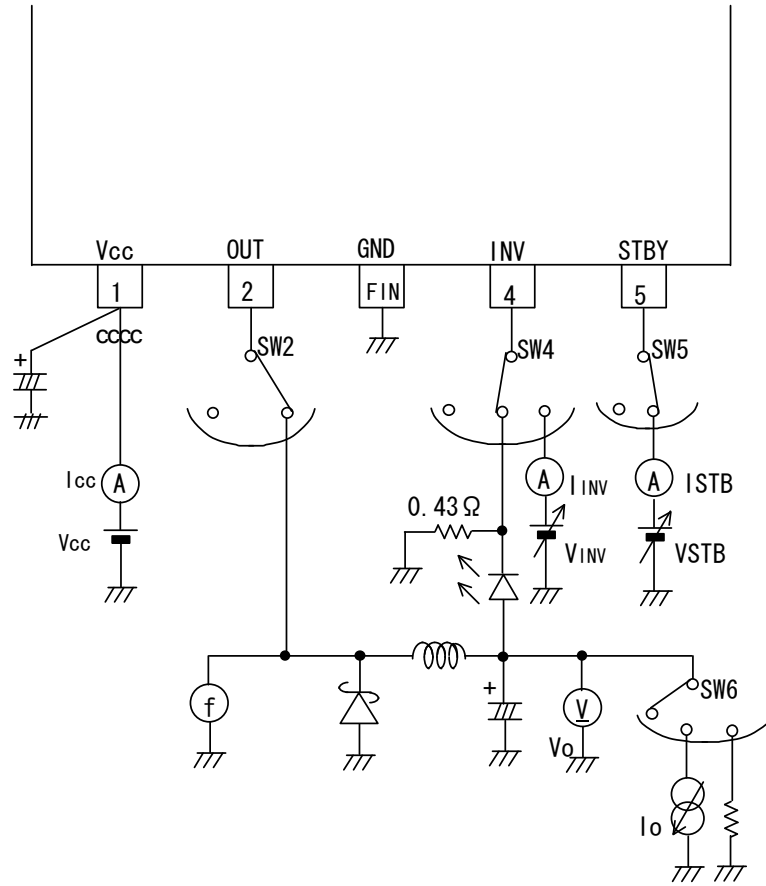


- To prevent noise and low efficiency, please set up the capacitor and Schottky diode between VCC – GND as near as possible to IC.
- Please connect the resistance and output LC filter capacitor between INV – GND with same GND for the stability of output voltage.

<Recommended parts example>

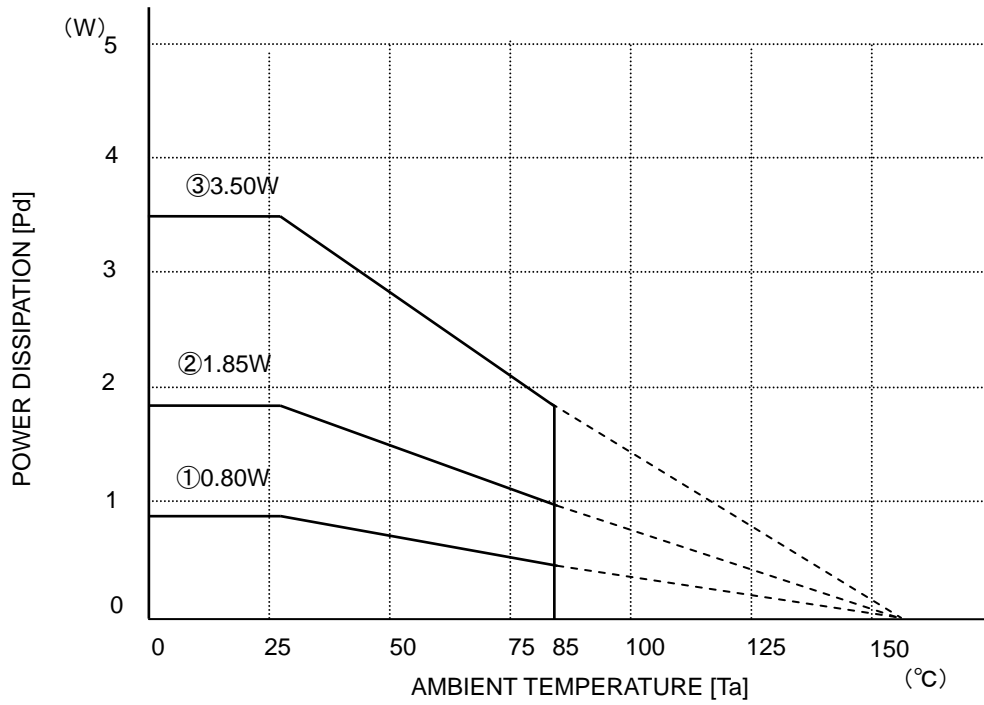
Coil	L1=10µH	: C6-K3LA (mitsumi)
Diode	D1	: RB050LA-30 (ROHM)
Capacitor	C1=10µF(25V)	: Ceramic capacitor GRM31CB31E106KA75L(murata)
	C2=4.7µF(50V)	: Ceramic capacitor GRM32EB31H475KA87L(murata)
Resistance	R1=0.43Ω	: MCR10EZPFR430 (ROHM)

● Measurement circuit diagram

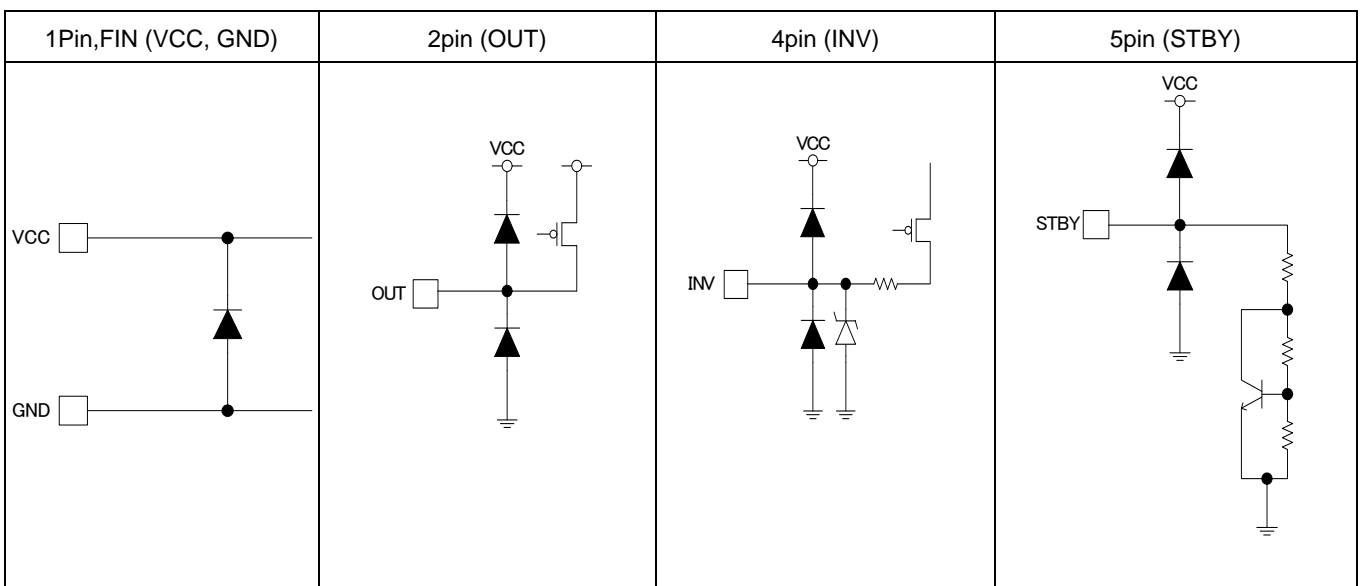


● Heat transfer characteristic

- ① IC unit
- ② 2 layers substrate (area of substrate back copper foil: 15 mm×15mm)
- ③ 2 layers substrate (area of substrate back copper foil: 70 mm×70mm)



● I/O terminal equivalent circuit diagram



●Notes for use

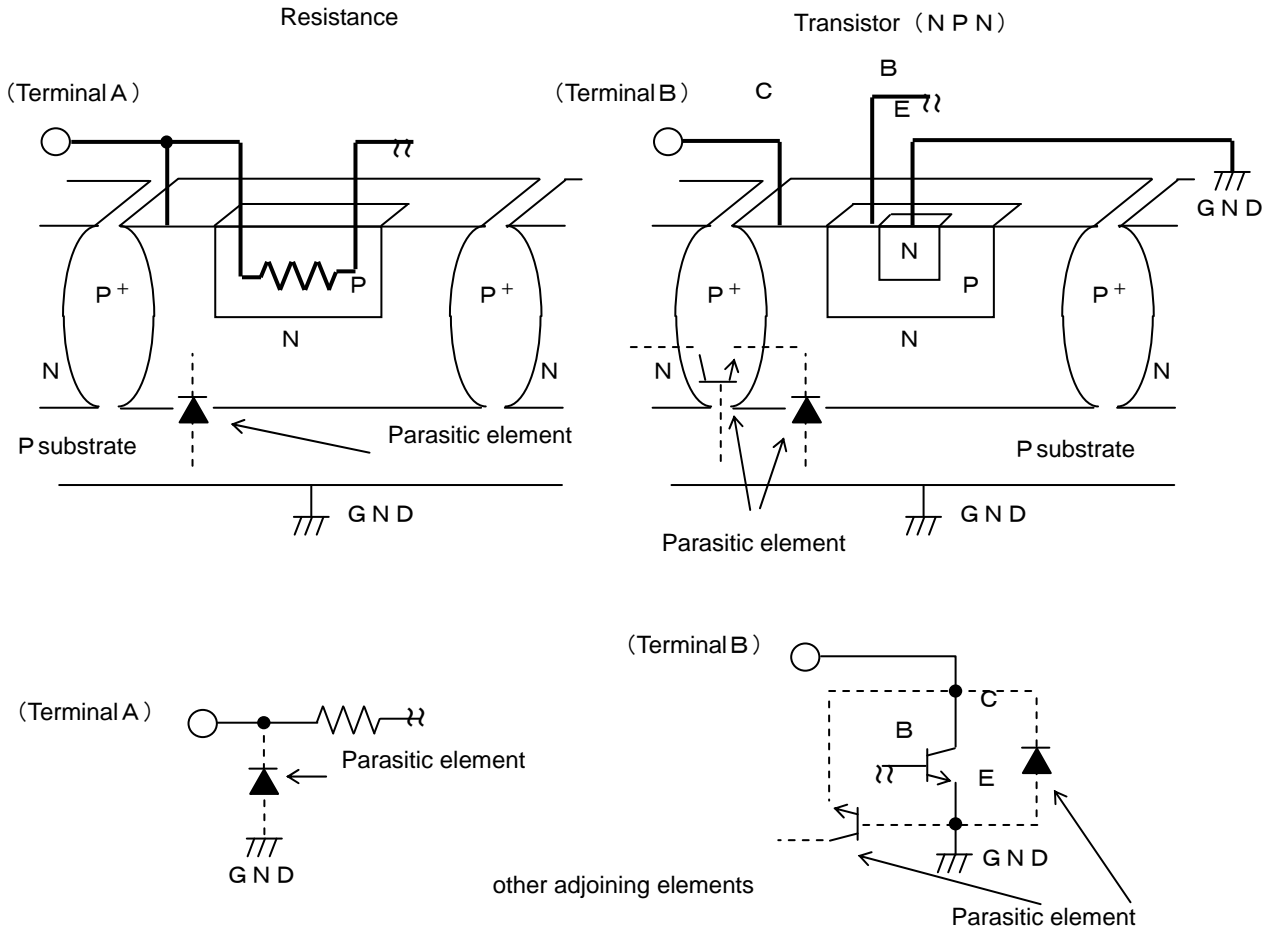
1. We have paid enough attention to quality control of this product, but it may be destroyed when the absolute maximum rating of impressed voltage and operating temperature range is exceeded. Because we can't specify that is short-mode or open-mode etc while it is destroyed, so please discuss to give physical safety action with postulating the special mode exceeded absolute maximum rating.
2. About application circuit
Application circuit is recommended, but please fully confirm temperature characteristic etc when using it. Moreover, please acknowledge that our company can't confirm enough about patent.
3. About the range of operation power-supply voltage
Circuit function operation at the range of operation ambient temperature is guaranteed when it is in the range of operation power-supply voltage. About characteristic value, the specification value of electric characteristic can't be guaranteed, but the characteristic value doesn't change rapidly in these ranges.
4. About ground connection
The ground connection shown in application circuit example should equip enough fat GND(FIN) to every ground connection with shortest pattern drawing, and the pattern shouldn't interfere the electric characteristic.
5. About input power-supply
The input power-supply shown in application circuit example should equip input pin VCC(1pin) with short enough pattern drawing, and the pattern shouldn't interfere the electric characteristic.
6. Please think about permissible power dissipation (Pd) in an actual using status, and do the heat design with enough margins.
7. Please pay enough attention to the direction and displacement of IC when you install it on PCB. If you install it by mistake, IC might be destroyed, Moreover, when short-circuit happen by foreign substance entered between outputs, or output and power supply GND, it will be destroyed.
8. Please note that there is a possibility of malfunction if you use it in strong electromagnetic field.
9. Please set STBY terminal voltage to 0.3V or less when putting it on standby status, to 2.0V or more when putting it on operation status.
Please do not fix STBY terminal voltage from 0.3V to 2.0V. It may cause malfunction or breakdown.

10. This IC is a monolithic IC, and there are P + isolation and P substrate for element separation between each element. P-N joint is formed with this P layer and N each element's layer, and various parasitic elements are composed.

For instance, as shown in the figure below, when resistance and transistor are connected with terminal:

- P-N joint operates as a parasitic diode when GND > (terminal A) in resistance, GND > (terminal B) in transistor (NPN).
- Moreover, when GND > (terminal B) in transistor (NPN), the parasitic NPN transistor operates with N layer of other elements adjoining with above-mentioned parasitic diode.

According to potential relation, parasitic element in IC structure can be consequent. The operating of parasitic element maybe interfere the circuit operation, and become the cause of malfunction and destruction. Therefore, please pay enough attention not to use it by impressing lower voltage than GND (P substrate) on I/O terminal etc to operate parasitic element.



Simple structure example of bipolar IC

●Ordering part number

B	D
---	---

Part No.

9	2	0	7
---	---	---	---

Part No.

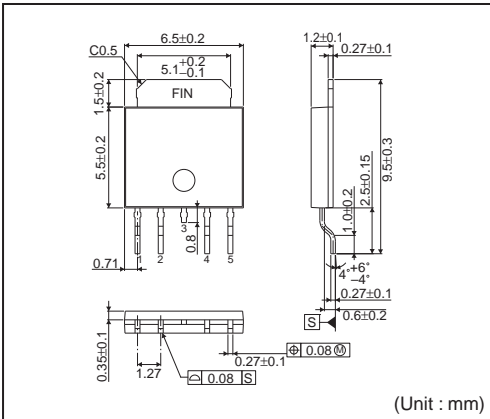
F	P	S
---	---	---

Package
FPS: TO252S-5

E	2
---	---

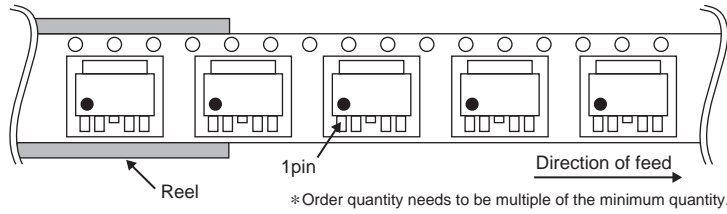
Packaging and forming specification
E2: Embossed tape and reel

TO252S-5



<Tape and Reel information>

Tape	Embossed carrier tape
Quantity	2000pcs
Direction of feed	E2 (The direction is the 1pin of product is at the lower left when you hold reel on the left hand and you pull out the tape on the right hand)



Notice

Precaution on using ROHM Products

- Our Products are designed and manufactured for application in ordinary electronic equipments (such as AV equipment, OA equipment, telecommunication equipment, home electronic appliances, amusement equipment, etc.). If you intend to use our Products in devices requiring extremely high reliability (such as medical equipment ^(Note 1), transport equipment, traffic equipment, aircraft/spacecraft, nuclear power controllers, fuel controllers, car equipment including car accessories, safety devices, etc.) and whose malfunction or failure may cause loss of human life, bodily injury or serious damage to property (“Specific Applications”), please consult with the ROHM sales representative in advance. Unless otherwise agreed in writing by ROHM in advance, ROHM shall not be in any way responsible or liable for any damages, expenses or losses incurred by you or third parties arising from the use of any ROHM’s Products for Specific Applications.

(Note1) Medical Equipment Classification of the Specific Applications

JAPAN	USA	EU	CHINA
CLASS III	CLASS III	CLASS II b	CLASS III
CLASS IV		CLASS III	

- ROHM designs and manufactures its Products subject to strict quality control system. However, semiconductor products can fail or malfunction at a certain rate. Please be sure to implement, at your own responsibilities, adequate safety measures including but not limited to fail-safe design against the physical injury, damage to any property, which a failure or malfunction of our Products may cause. The following are examples of safety measures:
 - Installation of protection circuits or other protective devices to improve system safety
 - Installation of redundant circuits to reduce the impact of single or multiple circuit failure
- Our Products are designed and manufactured for use under standard conditions and not under any special or extraordinary environments or conditions, as exemplified below. Accordingly, ROHM shall not be in any way responsible or liable for any damages, expenses or losses arising from the use of any ROHM’s Products under any special or extraordinary environments or conditions. If you intend to use our Products under any special or extraordinary environments or conditions (as exemplified below), your independent verification and confirmation of product performance, reliability, etc. prior to use, must be necessary:
 - Use of our Products in any types of liquid, including water, oils, chemicals, and organic solvents
 - Use of our Products outdoors or in places where the Products are exposed to direct sunlight or dust
 - Use of our Products in places where the Products are exposed to sea wind or corrosive gases, including Cl₂, H₂S, NH₃, SO₂, and NO₂
 - Use of our Products in places where the Products are exposed to static electricity or electromagnetic waves
 - Use of our Products in proximity to heat-producing components, plastic cords, or other flammable items
 - Sealing or coating our Products with resin or other coating materials
 - Use of our Products without cleaning residue of flux (even if you use no-clean type fluxes, cleaning residue of flux is recommended); or Washing our Products by using water or water-soluble cleaning agents for cleaning residue after soldering
 - Use of the Products in places subject to dew condensation
- The Products are not subject to radiation-proof design.
- Please verify and confirm characteristics of the final or mounted products in using the Products.
- In particular, if a transient load (a large amount of load applied in a short period of time, such as pulse. is applied, confirmation of performance characteristics after on-board mounting is strongly recommended. Avoid applying power exceeding normal rated power; exceeding the power rating under steady-state loading condition may negatively affect product performance and reliability.
- De-rate Power Dissipation (Pd) depending on Ambient temperature (Ta). When used in sealed area, confirm the actual ambient temperature.
- Confirm that operation temperature is within the specified range described in the product specification.
- ROHM shall not be in any way responsible or liable for failure induced under deviant condition from what is defined in this document.

Precaution for Mounting / Circuit board design

- When a highly active halogenous (chlorine, bromine, etc.) flux is used, the residue of flux may negatively affect product performance and reliability.
- In principle, the reflow soldering method must be used; if flow soldering method is preferred, please consult with the ROHM representative in advance.

For details, please refer to ROHM Mounting specification

Precautions Regarding Application Examples and External Circuits

1. If change is made to the constant of an external circuit, please allow a sufficient margin considering variations of the characteristics of the Products and external components, including transient characteristics, as well as static characteristics.
2. You agree that application notes, reference designs, and associated data and information contained in this document are presented only as guidance for Products use. Therefore, in case you use such information, you are solely responsible for it and you must exercise your own independent verification and judgment in the use of such information contained in this document. ROHM shall not be in any way responsible or liable for any damages, expenses or losses incurred by you or third parties arising from the use of such information.

Precaution for Electrostatic

This Product is electrostatic sensitive product, which may be damaged due to electrostatic discharge. Please take proper caution in your manufacturing process and storage so that voltage exceeding the Products maximum rating will not be applied to Products. Please take special care under dry condition (e.g. Grounding of human body / equipment / solder iron, isolation from charged objects, setting of Ionizer, friction prevention and temperature / humidity control).

Precaution for Storage / Transportation

1. Product performance and soldered connections may deteriorate if the Products are stored in the places where:
 - [a] the Products are exposed to sea winds or corrosive gases, including Cl₂, H₂S, NH₃, SO₂, and NO₂
 - [b] the temperature or humidity exceeds those recommended by ROHM
 - [c] the Products are exposed to direct sunshine or condensation
 - [d] the Products are exposed to high Electrostatic
2. Even under ROHM recommended storage condition, solderability of products out of recommended storage time period may be degraded. It is strongly recommended to confirm solderability before using Products of which storage time is exceeding the recommended storage time period.
3. Store / transport cartons in the correct direction, which is indicated on a carton with a symbol. Otherwise bent leads may occur due to excessive stress applied when dropping of a carton.
4. Use Products within the specified time after opening a humidity barrier bag. Baking is required before using Products of which storage time is exceeding the recommended storage time period.

Precaution for Product Label

QR code printed on ROHM Products label is for ROHM's internal use only.

Precaution for Disposition

When disposing Products please dispose them properly using an authorized industry waste company.

Precaution for Foreign Exchange and Foreign Trade act

Since our Products might fall under controlled goods prescribed by the applicable foreign exchange and foreign trade act, please consult with ROHM representative in case of export.

Precaution Regarding Intellectual Property Rights

1. All information and data including but not limited to application example contained in this document is for reference only. ROHM does not warrant that foregoing information or data will not infringe any intellectual property rights or any other rights of any third party regarding such information or data. ROHM shall not be in any way responsible or liable for infringement of any intellectual property rights or other damages arising from use of such information or data.:
2. No license, expressly or implied, is granted hereby under any intellectual property rights or other rights of ROHM or any third parties with respect to the information contained in this document.

Other Precaution

1. This document may not be reprinted or reproduced, in whole or in part, without prior written consent of ROHM.
2. The Products may not be disassembled, converted, modified, reproduced or otherwise changed without prior written consent of ROHM.
3. In no event shall you use in any way whatsoever the Products and the related technical information contained in the Products or this document for any military purposes, including but not limited to, the development of mass-destruction weapons.
4. The proper names of companies or products described in this document are trademarks or registered trademarks of ROHM, its affiliated companies or third parties.

General Precaution

1. Before you use our Products, you are requested to carefully read this document and fully understand its contents. ROHM shall not be in any way responsible or liable for failure, malfunction or accident arising from the use of any ROHM's Products against warning, caution or note contained in this document.
2. All information contained in this document is current as of the issuing date and subject to change without any prior notice. Before purchasing or using ROHM's Products, please confirm the latest information with a ROHM sales representative.
3. The information contained in this document is provided on an "as is" basis and ROHM does not warrant that all information contained in this document is accurate and/or error-free. ROHM shall not be in any way responsible or liable for any damages, expenses or losses incurred by you or third parties resulting from inaccuracy or errors of or concerning such information.