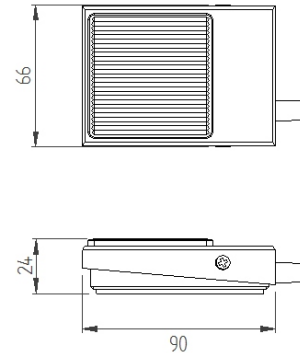


6289 General Purpose Footswitch

PRODUCT IMAGE



LINE DRAWING



BENEFITS

- tough, compact and versatile
- steel construction gives long life and reliability
- customer colours and logo's available upon request
- unlimited cordset options available

SPECIFICATIONS

standards/approvals	footswitch: low voltage directive 2006/95/EC, EN 60950 microswitch: EN 61058-2-1, EN 61058
degree of protection	EN 60529 IPX2 or IPX7 (IPX8 upon request)
connection method	stripped cable cores or connector of your choice
electrical rating	see table below
contact configuration	see table below
pressure range	n/a
operating temperature	-5 ⁰ C to +40 ⁰ C
body material	see table below – stainless steel versions available upon request
weight	0.28Kg
additional information	cordset variations of each standard option are available guards and multi-pedal versions are available, as are pneumatic versions, please refer to Airswitching section for details

6289

General Purpose Footswitch

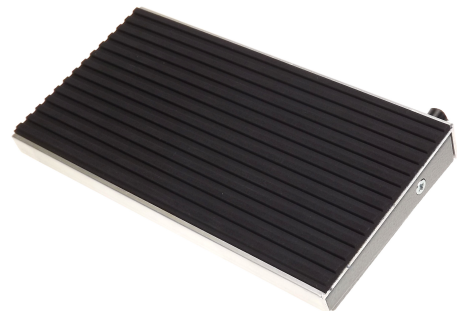
model no.	6289-PP	6289-WO	6289-DO	6289-DA	6289-SC	6289-CC	6289-CT	6289-WS
depth	90mm							
width	66mm							
height	24mm							
material: body	16 SWG mild steel, powder coat grey Hammertone							stainless steel
tread	polypropylene, black							
guard	18 SWG mild steel, powder coat grey hammertone							
no. of poles & action	SPST latching	SPST N/O	DPST N/O	DPST staggered	SPST N/O	SPCO	SPCO	SPST N/O
cable	2 core + earth	2 core + earth	4 core + earth	4 core + earth	2 core + earth	3 core + earth	Terminal block	2 core + earth
cable length as std	2m	2m	2m	2m	2m	2m	n/a	2m
cable O/D (mm)	6.8 (nom)	6.8 (nom)	6.8 (nom)	6.8 (nom)	6.8 (nom)	6.8 (nom)	n/a	6.8 (nom)
current rating @ 250V AC (½ HP)	6(3)A	6(1.5)A	3(3)A	3(3)A	6(3)A	6(6)A	6(3)A	3(3)A
internal switch module	IPX2	IPX7	IPX2	IPX2	IPX2	IPX2	IPX2	IPX7

6289 General Purpose Footswitch

PRODUCT IMAGE



PRODUCT IMAGE



BENEFITS 6289-SB

- wide choice of switching options
- various pedal and base colours available
- robust high reliability

BENEFITS 6289-01

- choice of switching options
- custom made lengths upon request
- customer logo's available upon request

SPECIFICATIONS

standards/approvals	footswitch: low voltage directive 2006/95/EC, EN 60950 microswitch: EN 61058-2-1, EN 61058
degree of protection	EN 60529 IPX2 or IPX7 (IPX8 upon request)
connection method	stripped cable cores or connector of your choice
electrical rating	see table below
contact configuration	see table below
pressure range	n/a
operating temperature	-5 ⁰ C to +40 ⁰ C
body material	see table below
weight	see table below
additional information	cordset variations of each standard option are available

6289

General Purpose Footswitch

model no	6289-SB	6289-01
depth	100mm	95mm
width	180mm	760mm (200mm to 3m possible)
height	32mm	25mm
weight	0.79Kg	1.2Kg
guard	230mm x 100mm x 100mm (optional extra)	n/a
divider option	Fitted to central boss	n/a
material: body	2 mild steel switches on die cast aluminium base	2 mild steel switches under aluminium extrusion
tread	Std black polypropylene (other colours available upon request)	Black rubber tread
guard	18 SWG mild steel, painted	
colour option	Grey Hammertone (other colours available)	n/a
no. of poles	Single and double pole versions available	2 x N/O single pole footswitches (Change over & double pole versions available)
cable	Dependent on application	3 core as std. (other types available upon request or dependent on application)
cable length as std	2m	2m
current rating	0.1A 24V AC/DC – 3A 250V AC	6(3)A 1/2 HP
internal switch module	IPX2 or IPX7	IPX2 or IPX7