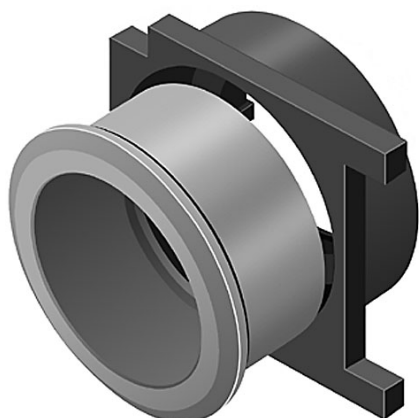


# EAO – Your Expert Partner for Human Machine Interfaces

## 61-9933.0 - Front bezel set for indicator, pushbutton, illuminated pushbutton, flush design

### 61-9933.0 - Front bezel set for indicator, pushbutton, illuminated pushbutton, flush design



*Attention: The preview is based on a sample product. This can differ from your current configuration.*

#### Mounting

Mounting cut-out  
Design  $\varnothing$  22.5 mm  
flush

#### Front

Front bezel material Aluminium  
Front bezel colour natural  
Front dimension  $\varnothing$  25 mm  
Front shape round

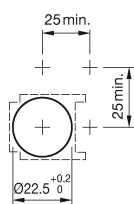
#### Other Attributes

Internal size  $\varnothing$  19.7 mm  
Weight 0.006 kg

# EAO – Your Expert Partner for Human Machine Interfaces

61-9933.0 - Front bezel set for indicator, pushbutton, illuminated pushbutton, flush design

## Mounting cut-outs



X = Screw terminal

## Additional information

The colour of anodized aluminium parts can vary due to technical production reasons